



**308**  
Shower/bath components  
3-jet shower head with arm

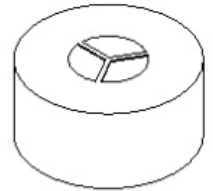
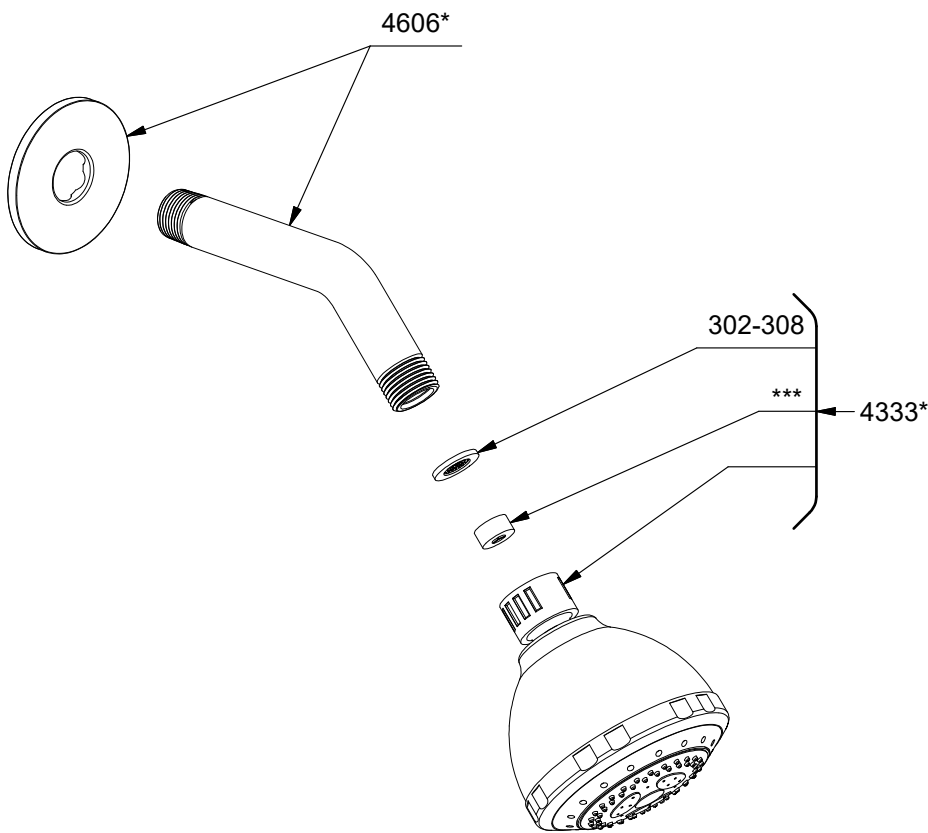
\*Sizes, models and finishes may differ from those presented.

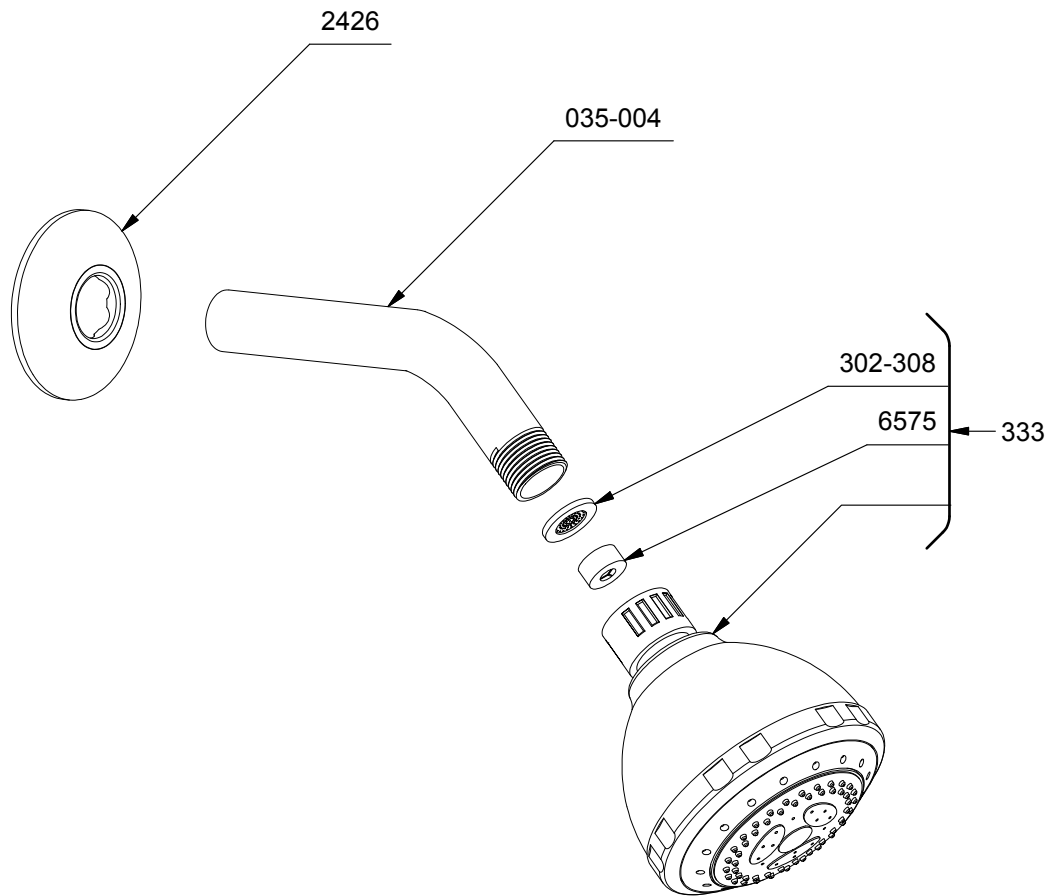
**\*Finish determined by Suffix**

Finish	Description
C	Chrome
BN	Brushed Nickel
PN	Polished Nickel

**\*\*\* Flow reducer**

S6-580-20	(2.0gpm / 7.6l/min)
S6-580-15	(1.5gpm / 5.7l/min)
S6-580-WS	(1.8gpm / 6.8l/min)





\*Les dimensions, les modèles et les finis présentés peuvent différer. / Sizes, models and finishes may differ from those presented.

\*Les dimensions, les modèles et les finis présentés peuvent différer. / Sizes, models and finishes may differ from those presented.

[www.riobel.ca](http://www.riobel.ca)

