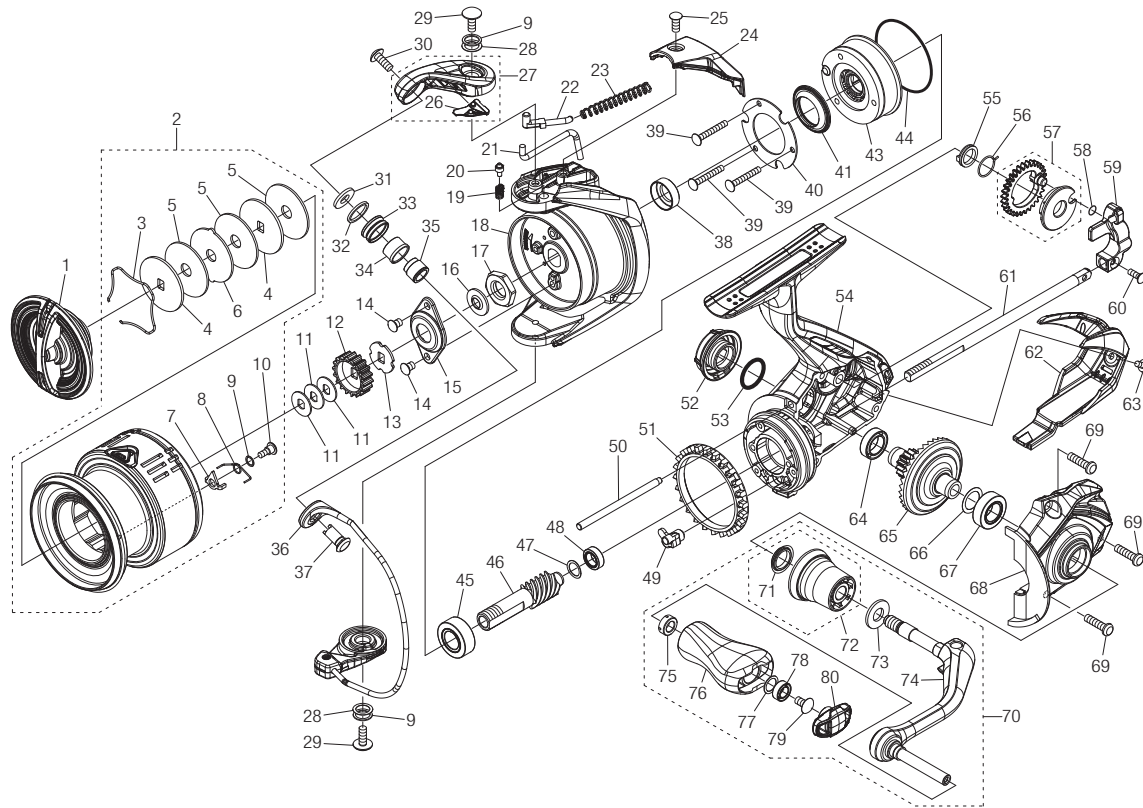


# SHIMANO

## NAS2500HGFD



(51SF917E28X) Please note that the number of adjusting washers may not be the same as shown in the exploded views.  
(Adjustment will vary with each individual product.)

#	Part No.	RD No.	Description	#	Part No.	RD No.	Description	#	Part No.	RD No.	Description
1	100K9	21805	Drag Knob Assembly	31	107X1	17164	Washer	62	10R8U	21819	Rear Protector
2	149ZS		Spool Assembly	32	10KFD	6684	Spacer	63	10LCS	17863	Screw
3	10MZX	11077	Retainer	33	10JLF	9368	Line Roller	64	107FA	12969	Ball Bearing
4	10BCE	16774	Key Washer	34	10PFH	10184	Bushing	65	100QB	21826	Drive Gear
5	10N5A	10345	Drag Washer	35	149ZC		Collar	66	10EEZ	21178	Washer
6	102XX	22328	Eared Washer	36	14BMA		Bail Assembly	67	107AT	8553	Ball Bearing
7	10DS4	21807	Drag Click	37	149ZA		Line Roller Support	68	149ZF		Side Cover
8	149Z7		Drag Click Spring	38	10JHG	17205	Rotor Ring	69	10L6K	17916	Screw
9	10K96	18551	Washer	39	103C6	4798	Screw	70	149ZP		Handle Assembly
10	10TRB	17664	Screw	40	10L62	17206	Roller Clutch Reinforce	71	10PXV	17695	Handle Shaft Seal
11	10BXN	3455	Spool Washer	41	10MH6	17207	Roller Clutch Water Proof	72	10E7V	22440	Handle Shaft Cover Assembly
12	103MU	14832	Spool Support A	43	10QPN	17251	Roller Clutch Assembly	73	10E5X	20170	Washer
13	10J04	14833	Spool Support B	44	10MLU	17688	O Ring	74	14BMD		Handle Shank Assembly
14	10PMC	17189	Screw	45	107FE	8554	Ball Bearing	75	10PXZ	17698	Bushing
15	10TRH	17670	Nut Lock Plate	46	149Z9		Pinion Gear	76	10328	17699	Handle Knob
16	107L4	17190	Bearing Water Proof	47	10SYU	18741	Washer	77	104FH	19745	Washer
17	1067Y	17192	Rotor Nut	48	10RKR	20644	Ball Bearing	78	10K64	21823	Ball Bearing
18	14807		Rotor	49	149ZL		Anti Reverse Cam	79	10LFA	17700	Screw
19	10CH0	8916	Click Spring	50	10TBF	21814	Oscillating Guide	80	10TNJ	17701	Handle Knob Seal
20	106ZC	17415	Click Pin	51	104FV	17690	Friction Ring				
21	106P2	17194	Bail Trip Lever	52	10RSK	19803	Handle Screw Cap				
22	105LT	9427	Bail Spring Guide	53	108WH	0582	O Ring				
23	10FVC	17390	Bail Spring	54	14BME		Body Assembly				
24	14809		Bail Spring Cover	55	10TBH	21815	Bushing				
25	103CJ	16354	Screw	56	10RPB	22418	Bushing Spring				
26	149ZE		Bail Arm Fin	57	14BMC		Oscillating Gear				
27	14C1N		Bail Arm Assembly	58	101BW	21968	O Ring				
28	10KFA	11166	Washer	59	100KG	21818	Oscillating Slider				
29	103DA	20370	Screw	60	10R1P	17332	Screw				
30	10PMH	18681	Screw	61	10DMK	17849	Main Shaft				