

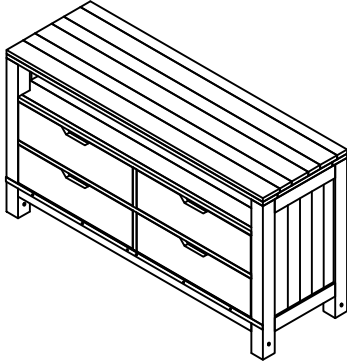
TARYN ENTERTAINMENT ASSEMBLY INSTRUCTIONS



PARTS PACKING CONFIGURATIONS

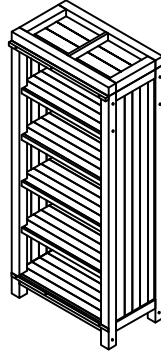
BOX 1 :

A. ENTERTAINMENT CONSOLE (1PC)



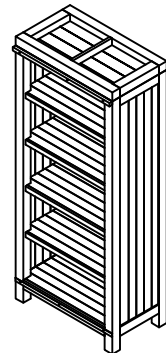
BOX 2 :

B. ENTERTAINMENT PIER - LEFT (1PC)



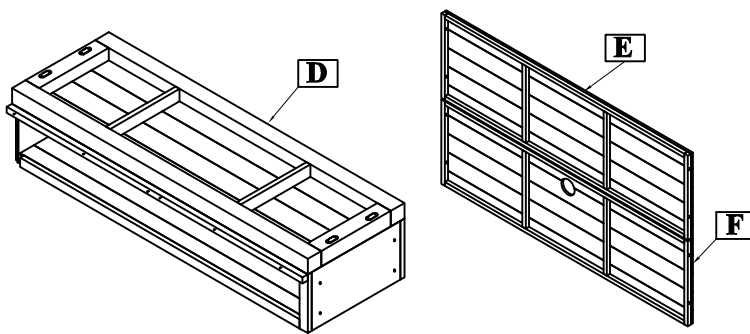
BOX 3 :

C. ENTERTAINMENT PIER - RIGHT (1PC)



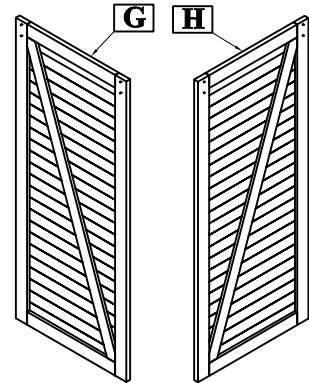
BOX 4 :

D. ENTERTAINMENT BRIDGE (1PC)
E. BACK PANEL WITHOUT HOLE (1PC)
F. BACK PANEL WITH HOLE (1PC)



BOX 5 :

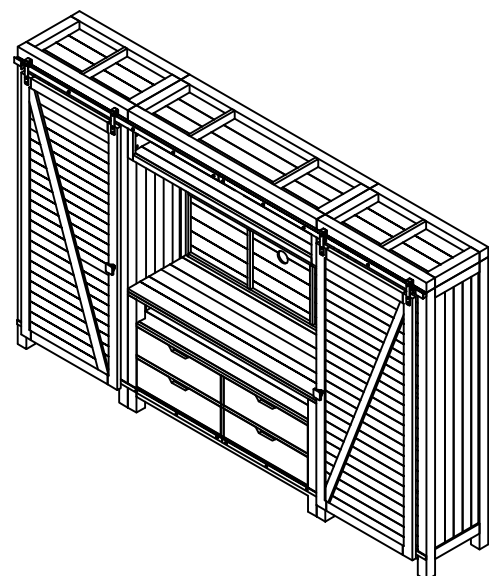
G. ENTERTAINMENT DOOR - LEFT (1PC)
H. ENTERTAINMENT DOOR - RIGHT (1PC)



TWO PEOPLE ARE MANDATORY FOR ASSEMBLY. PLEASE ! ASSEMBLE YOUR ENTERTAINMENT WALL IN IT'S FINAL POSITION WITHIN YOUR ROOM. MOVING UNIT AFTER ASSEMBLY CAN RESULT IN DAMAGE OR INJURY

| No. | Description | Photo | Quantity |
|----------------------------------|--------------------|-------|----------|
| HARDWARE PACKED IN BOX 1: | | | |
| 1 | Allen Bolt (M8X70) | | 4 PCS |
| 2 | Spring washer (M8) | | 4 PCS |
| 3 | Flat washer (M8) | | 4 PCS |
| 4 | Allen Key | | 1 PC |
| HARDWARE PACKED IN BOX 4: | | | |
| 5 | Allen Bolt (M8X37) | | 8 PCS |
| 6 | Spring washer (M8) | | 8 PCS |
| 7 | Flat washer (M8) | | 8 PCS |
| 8 | Allen Bolt (M6X37) | | 11 PCS |
| 9 | Spring washer (M6) | | 11 PCS |
| 10 | Flat washer (M6) | | 11 PCS |
| 11 | Allen Key | | 1 PC |
| HARDWARE PACKED IN BOX 5: | | | |
| 12 | Hex Bolt (M6X20) | | 12 PCS |
| 13 | Flat washer (M8) | | 12 PCS |
| 14 | Spanner | | 1 PC |
| 15 | Wood Screw (M4X20) | | 12 PCS |
| 16 | Top Left Track | | 1 PC |
| 17 | Top Right Track | | 1 PC |
| 18 | Bottom Track | | 2 PCS |
| 19 | Door Pull | | 2 PCS |
| 20 | Allen Bolt (M5X30) | | 2 PCS |

TARYN ENTERTAINMENT ASSEMBLED :



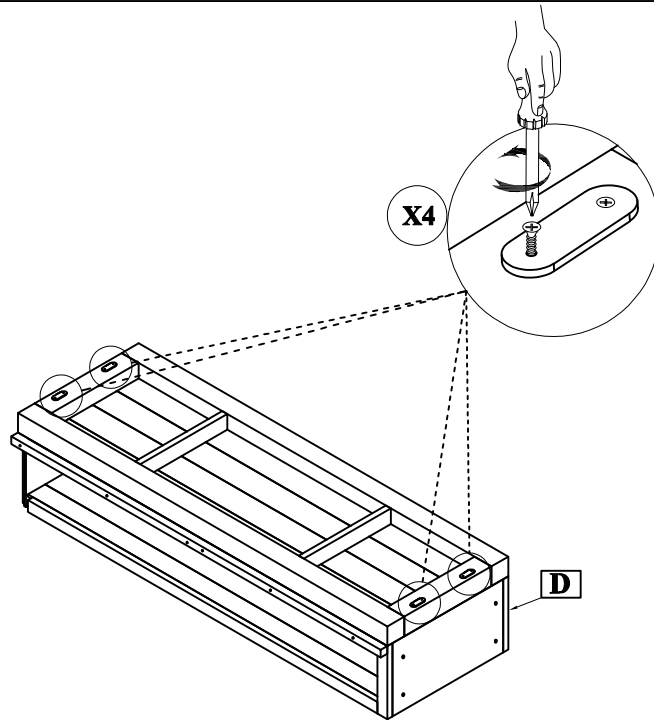
TOOL REQUIRED
PHILLIPS-HEAD & FLAT-HEAD SCREWDRIVER (NOT PROVIDED)



TARYN ENTERTAINMENT ASSEMBLY INSTRUCTIONS

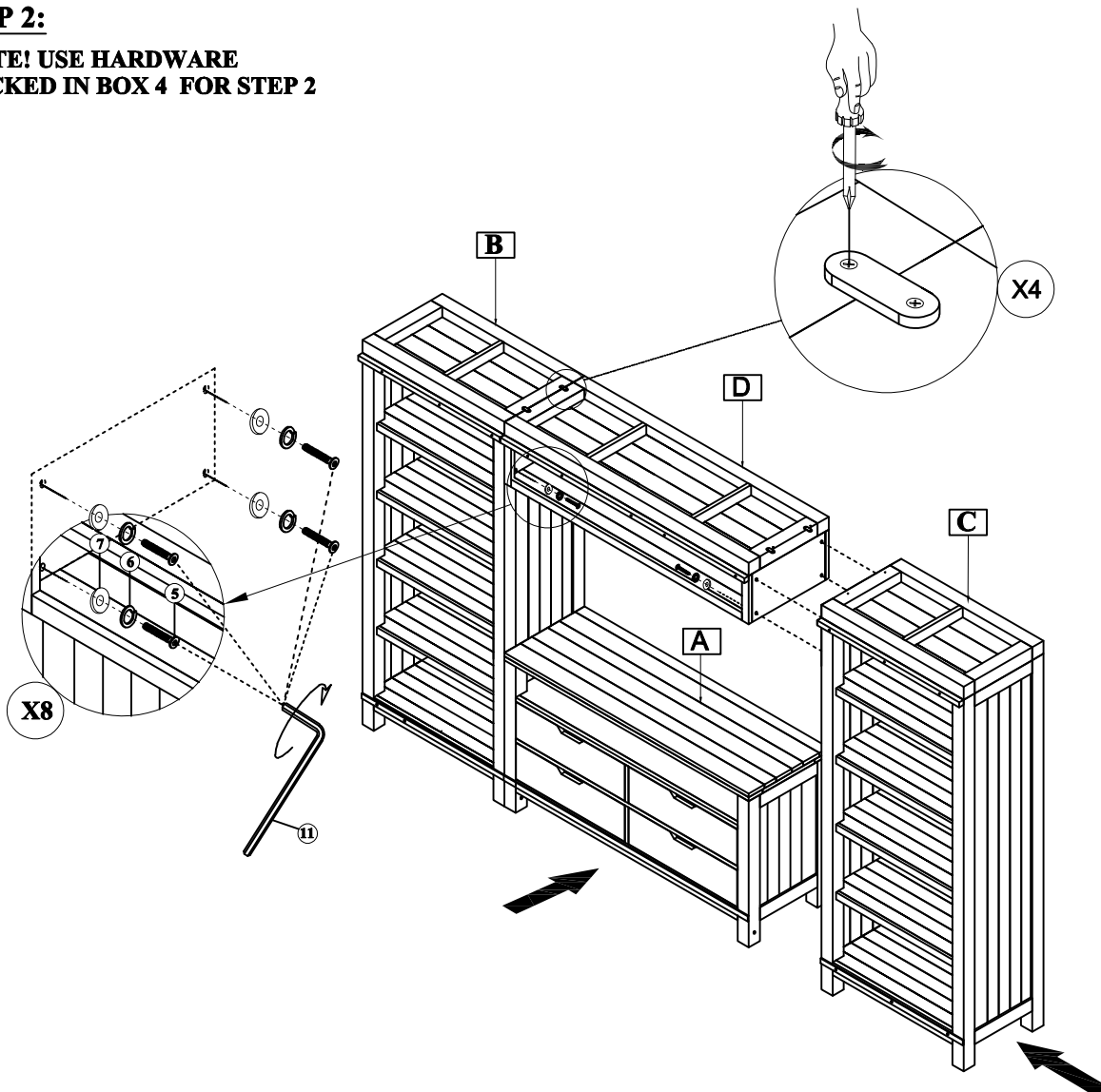


STEP 1:



STEP 2:

**NOTE! USE HARDWARE
PACKED IN BOX 4 FOR STEP 2**

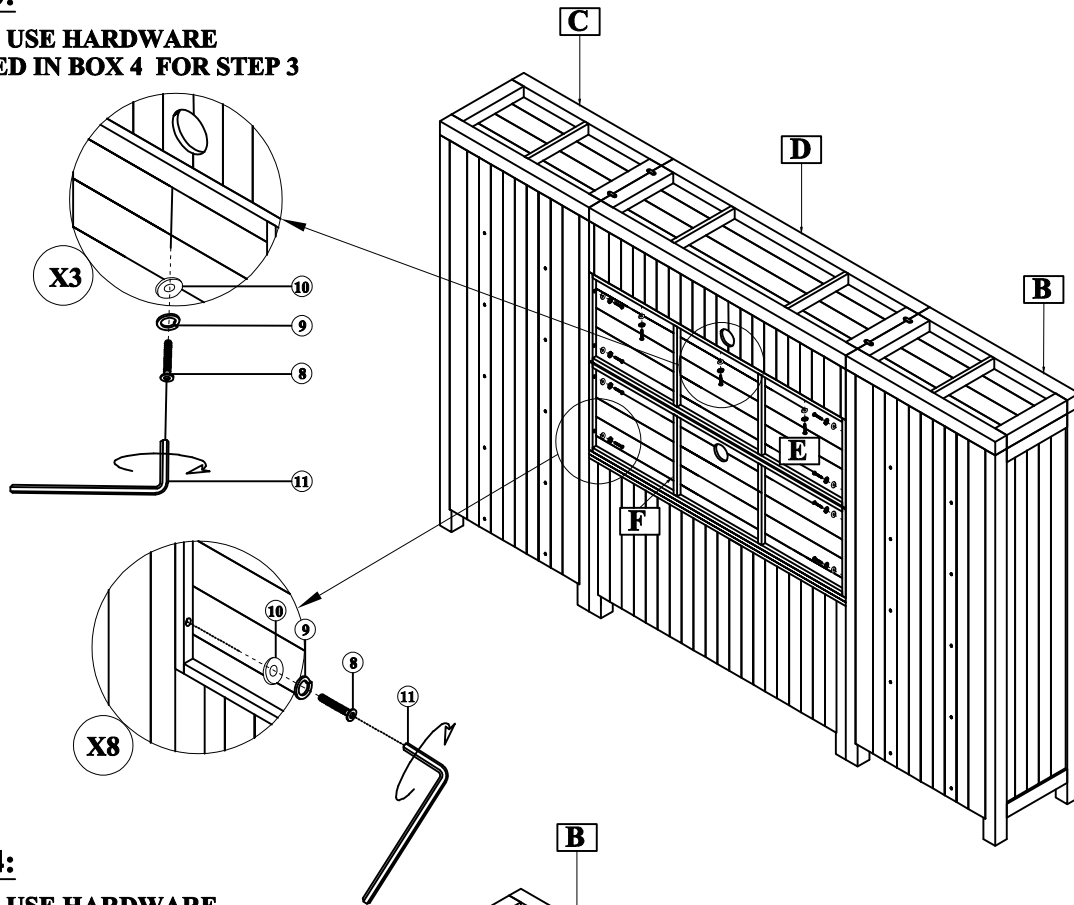


TARYN ENTERTAINMENT ASSEMBLY INSTRUCTIONS



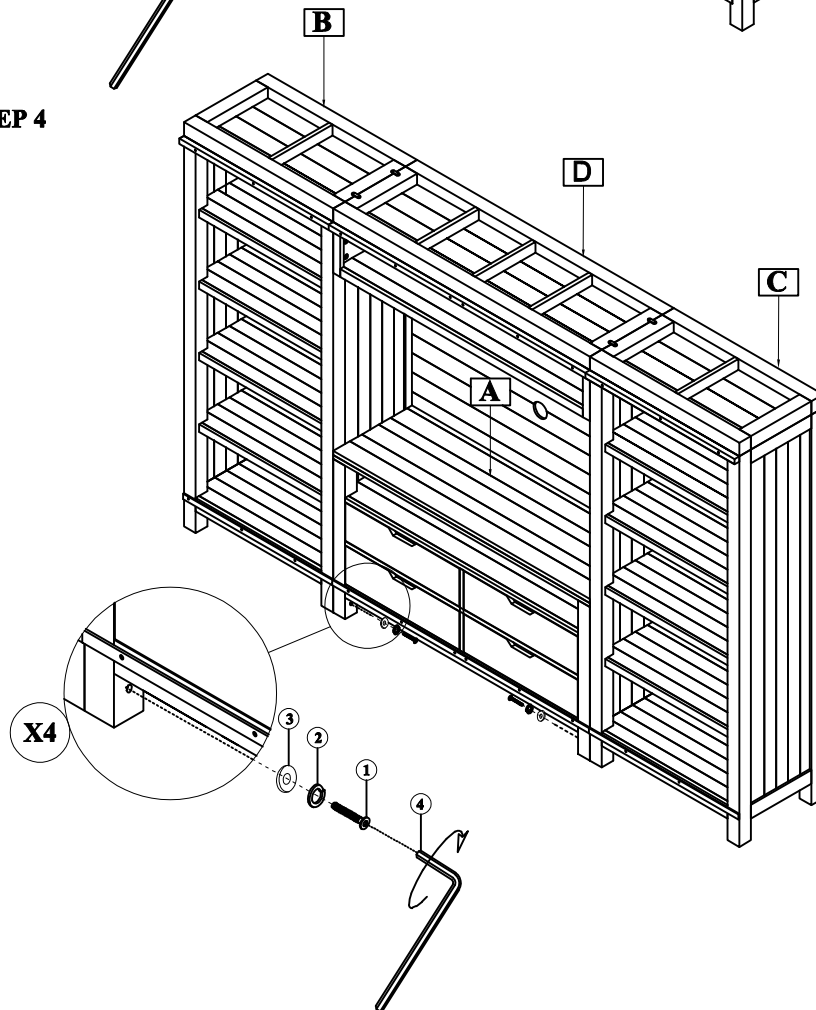
STEP 3:

NOTE! USE HARDWARE
PACKED IN BOX 4 FOR STEP 3



STEP 4:

NOTE! USE HARDWARE
PACKED IN BOX 1 FOR STEP 4

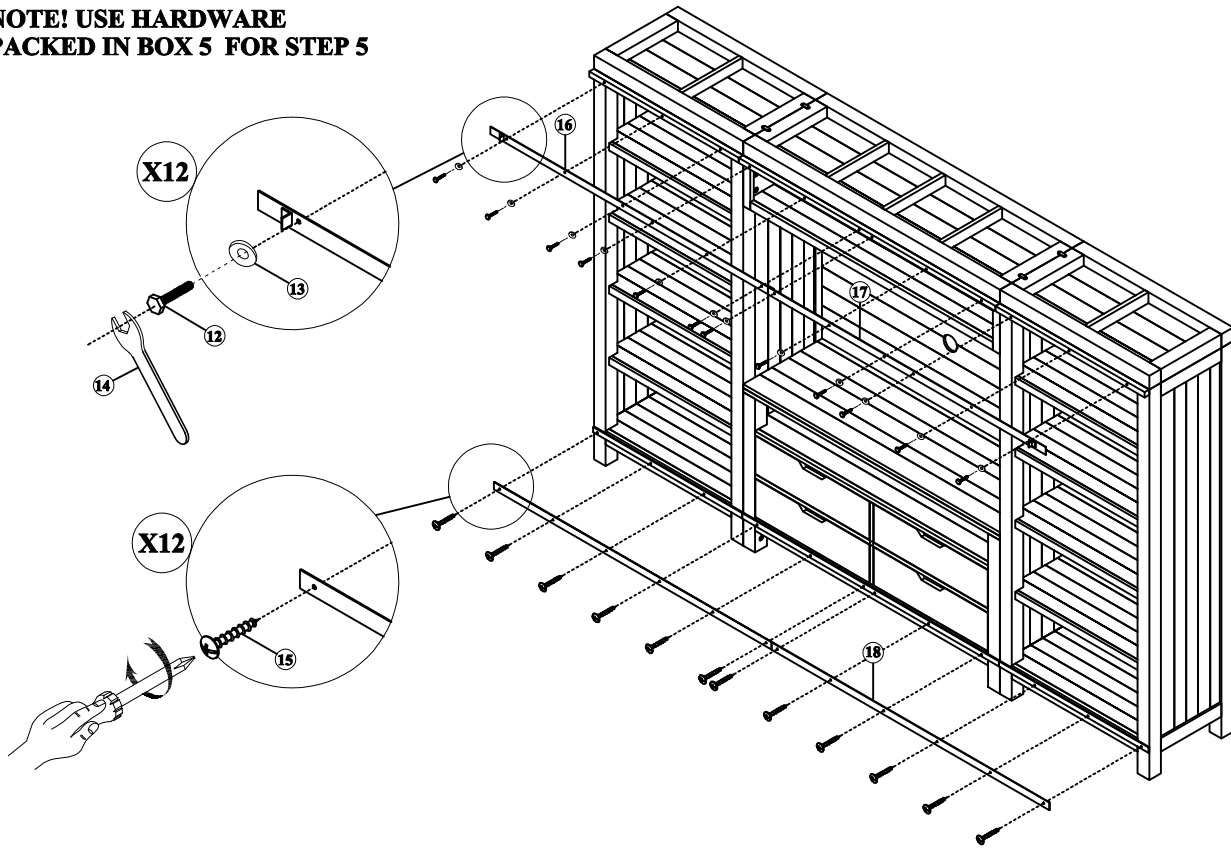


TARYN ENTERTAINMENT ASSEMBLY INSTRUCTIONS



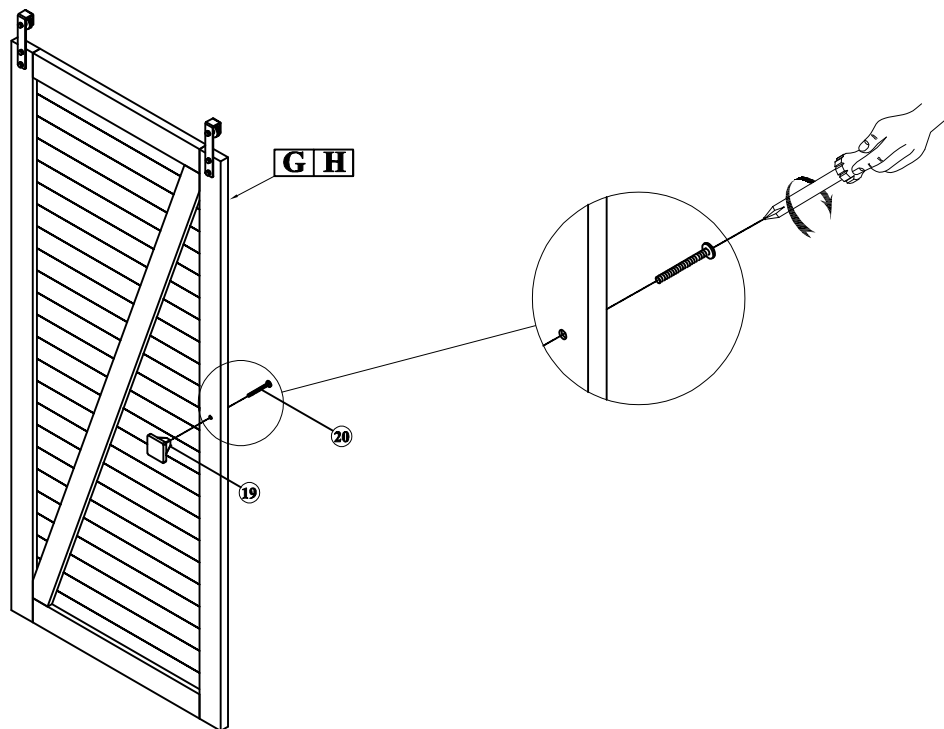
STEP 5:

NOTE! USE HARDWARE
PACKED IN BOX 5 FOR STEP 5



STEP 6:

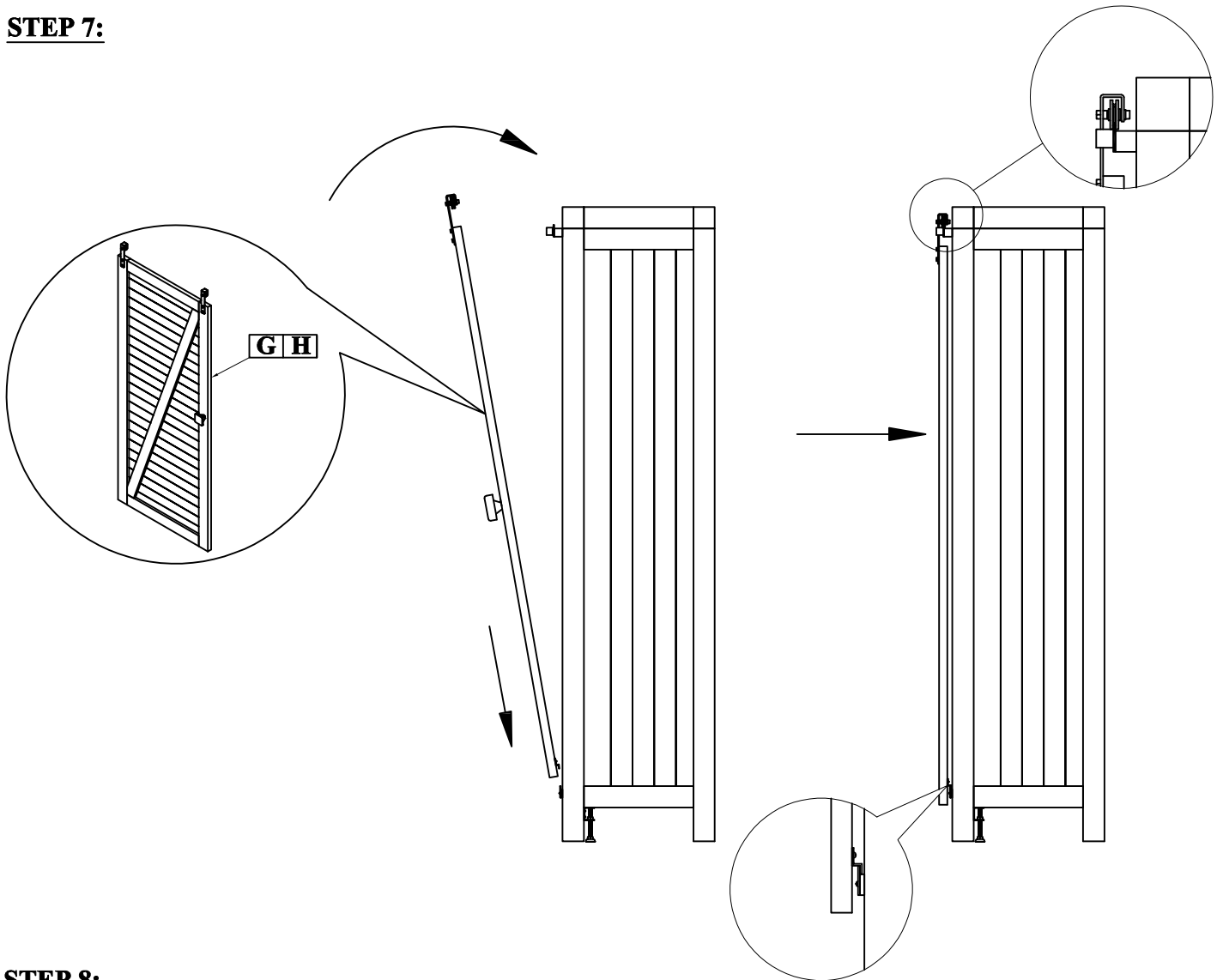
NOTE! USE HARDWARE
PACKED IN BOX 5 FOR STEP 6



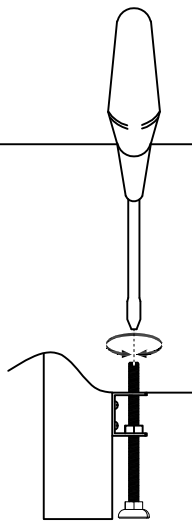
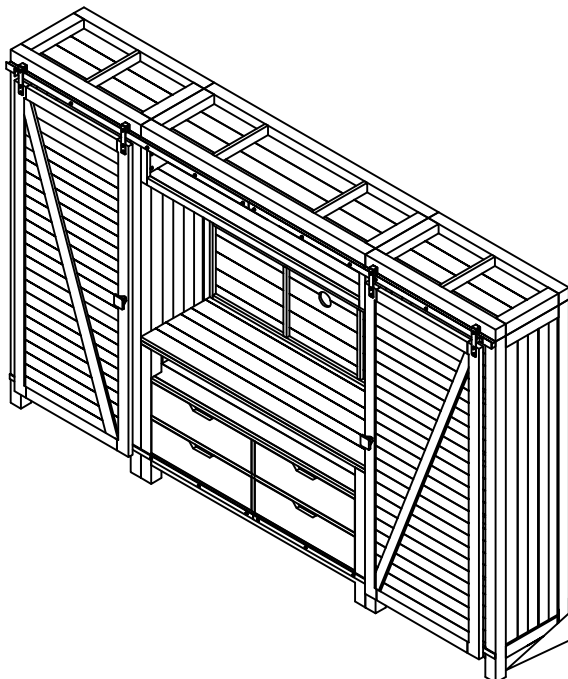
TARYN ENTERTAINMENT ASSEMBLY INSTRUCTIONS



STEP 7:



STEP 8:



**INSTRUCTIONS FOR
ADJUSTING LEVELER**

Position the wall in your room and locate the leveler behind each leg. Using flat-head screwdriver to turn the leveler counter-clockwise to extend the leveler and clockwise to retract it.

Adjust each leveler until your unit is stable and level.

TARYN ENTERTAINMENT ASSEMBLY INSTRUCTIONS



TARYN ENTERTAINMENT FULLY ASSEMBLED :

