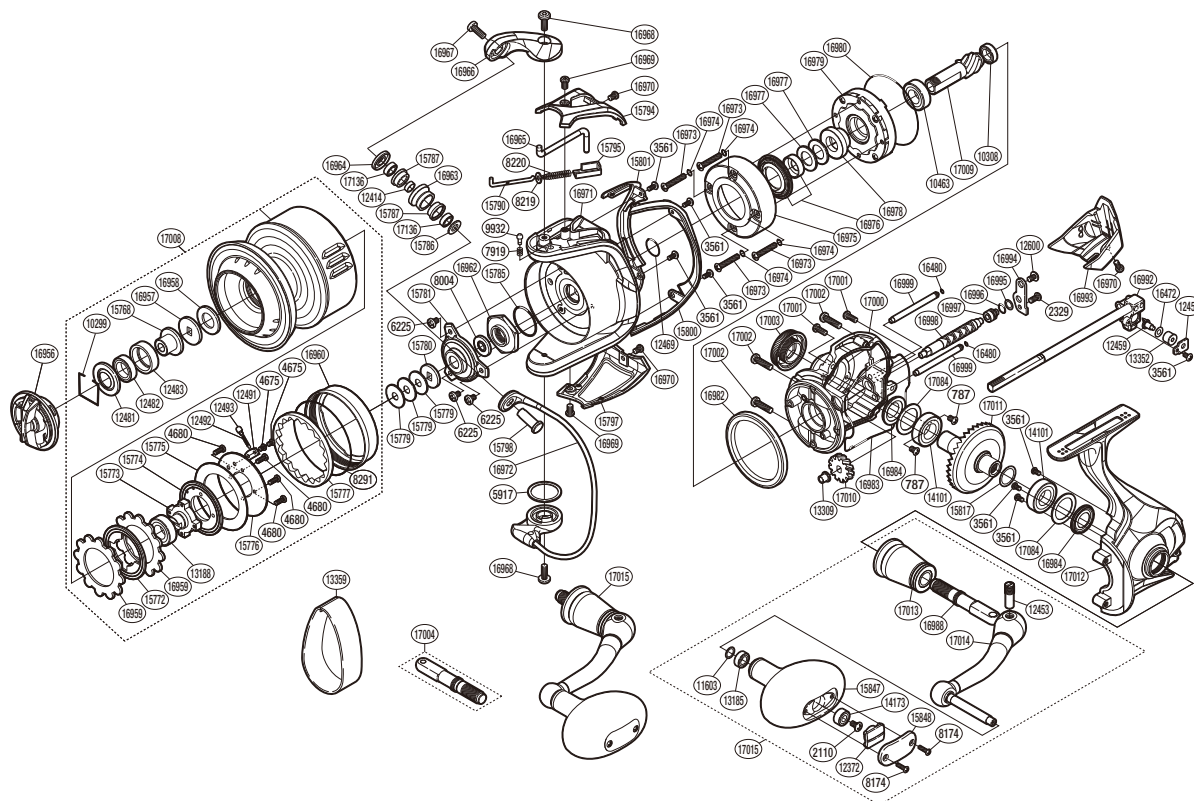


# SHIMANO

## TWIN POWER

## TP-SW14000XG



(51SE51U143X)

#	Part No.	Description	#	Part No.	Description	#	Part No.	Description
787	103L6	Screw	15772	10BS8	Spool Drag Disk	16972	1073R	Bail Assembly
2110	103E9	Screw	15773	10LTY	Bearing Bushing	16973	103M6	Screw
2329	103KY	Screw	15774	10BY4	Spool Drag Disk	16974	10LAD	O Ring
3561	10MT4	Screw	15775	10JPK	Bearing Water Proof	16975	10MHD	Roller Clutch Water Proof Cover
4675	10LV7	Screw	15776	109M3	Drag Plate Washer	16976	10QRR	Roller Clutch Water Proof Set
4680	10LVM	Screw	15777	109ZQ	Drag Click Ratchet	16977	10J2H	Washer
5917	10HDP	Washer	15779	10BXW	Spool Washer	16978	10668	Roller Clutch Inner
6225	10LZ1	Screw	15780	103MW	Spool Support	16979	10QPL	Roller Clutch Assembly
7919	1077Q	Click Spring	15781	10K30	Nut Lock Plate	16980	10MLR	O Ring
8004	107F3	Bearing Water Proof	15785	10CG0	O Ring	16982	104GA	Friction Ring
8174	103NM	Screw	15786	107F1	Line Roller Support Collar	16983	10CDE	Body Seal
8219	10HD9	Spring Guide A Support	15787	107RM	Line Roller Bushing	16984	10CD5	Bearing Water Proof
8220	105FY	Bail Spring	15790	105YX	Bail Spring Guide A	16988	10F8G	Handle Shaft (Left)
8291	108WD	O Ring	15794	1087V	Bail Spring Cover	16992	102J3	Main Shaft Assembly
9932	10CH7	Click Pin	15795	1077M	Bail Spring Seat	16993	10NNC	Rear Protector
10299	10B6K	Drag Washers Retainer	15797	10MN8	Bail Hold Support Guard	16994	10ATG	Worm Shaft Retainer
10308	104PN	Ball Bearing	15798	10Q3F	Line Roller Support	16995	10HV2	Washer
10463	10BGC	Ball Bearing	15800	10744	Rotor Guard A	16996	10TNF	O Ring
11603	10HV3	Washer	15801	107AF	Rotor Guard B	16997	106M6	Worm Bushing (Rear)
12372	10B97	Handle Knob Seal	15817	105U4	Washer	16998	1068B	Worm Shaft
12414	10GAG	Bearing Spacer	15847	102KE	Handle Knob	16999	1035P	Oscillating Guide
12453	10PV0	Handle Shaft Screw	15848	108T1	Handle Knob I.D. Plate	17000	10BA2	Body
12457	10H7R	Oscillating Pawl Cover	16472	1059T	Washer	17001	10PSB	Screw
12459	106V5	Oscillating Pawl	16480	10JAB	O Ring	17002	10PVQ	Screw
12469	108WP	O Ring	16956	10GZW	Drag Knob	17003	10N4K	Handle Screw Cap
12481	10LQZ	Seal Plate	16957	10BCD	Key Washer	17008	10862	Spool Assembly
12482	10KX7	Ball Bearing	16958	10349	Drag Washer	17009	10C2A	Pinion Gear
12483	10LWS	Thrust Bushing	16959	10C1E	Drag Washer	17010	10HES	Idle Gear
12491	109ZN	Click Spring Holder	16960	10C1N	Drag Cover	17011	10ELS	Drive Gear
12492	10JMG	Click Spring	16962	1067V	Rotor Nut	17012	104HF	Side Cover
12493	10382	Click Pin	16963	10KUV	Line Roller	17013	10NHN	Handle Shaft Cover
12600	103LD	Screw	16964	107A0	Line Roller Plate	17014	103WD	Handle Shank Assembly
13185	105BP	Ball Bearing	16965	106KX	Bail Trip Lever	17015	10NBB	Handle Assembly
13188	10BGD	Ball Bearing	16966	10KLU	Bail Arm	17084	10BGK	Washer
13309	106E8	Worm Bushing (Front)	16967	10PVR	Screw	17136	104K5	Ball Bearing
13352	10JXJ	Oscillating Slider Bushing	16968	10PSH	Screw			
14101	104PW	Ball Bearing	16969	10PSE	Screw			
14173	10KX2	Ball Bearing	16970	10PRX	Screw	13359	109UT	Line Band (Accessory)
15768	10LWK	Bearing Support	16971	10PY4	Rotor	17004	10FHX	Handle Shaft (Right) (Accessory)

Please note that the number of adjusting washers may not be the same as shown in the exploded views.  
(Adjustment will vary with each individual product.)

(240529)\_005