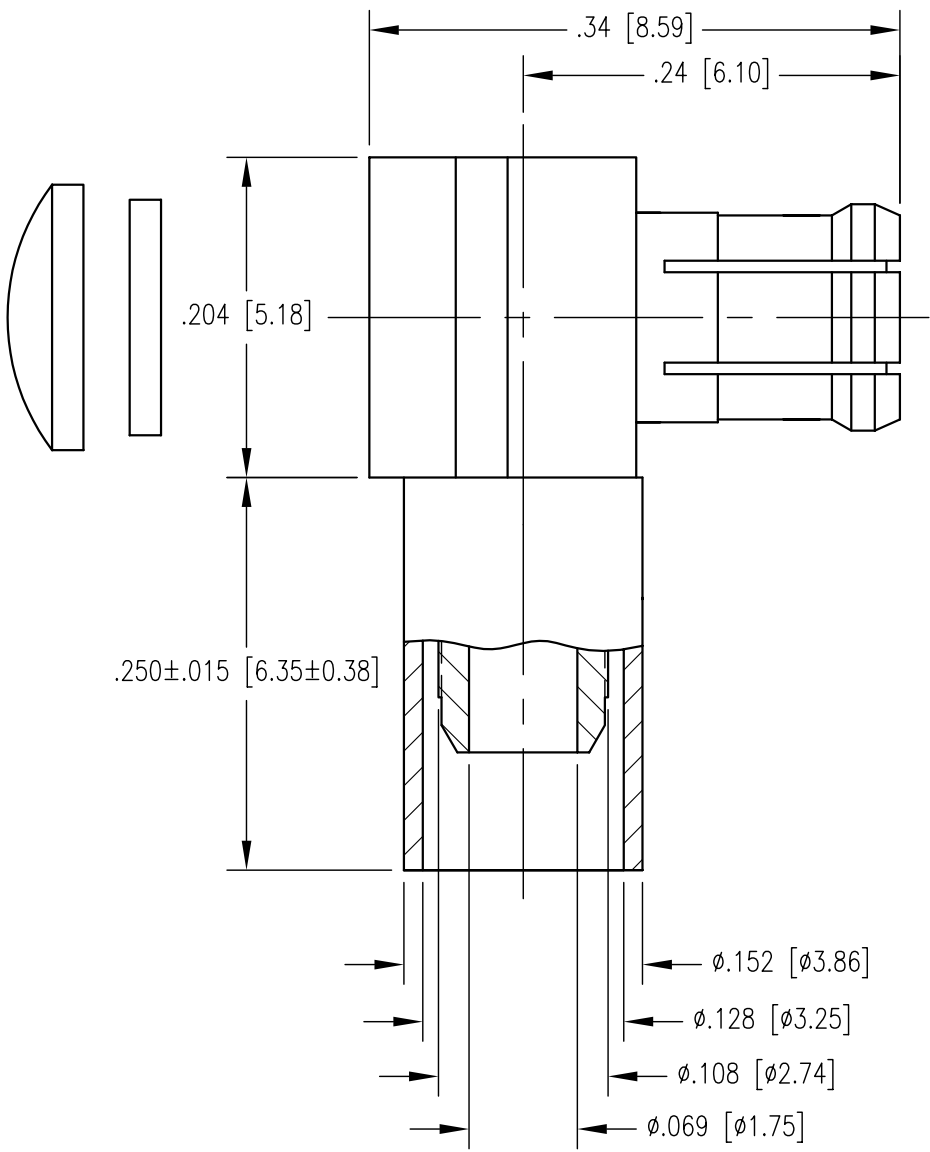
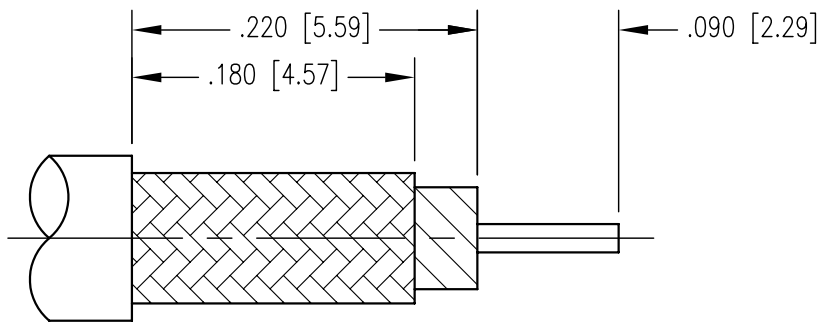


REV	DESCRIPTION	BY DATE	APPD
F	ECR 7774	JED 7/15/03	JED



NOTES:

1. MATERIALS:
 FRONT BODY: BERYLLIUM COPPER PER ASTM B196
 INSULATOR: TEFLON PER ASTM D1710
 ALL OTHER METAL PARTS: BRASS PER ASTM B16
2. FINISH:
 CENTER CONTACT: .000030 MIN. GOLD PER MIL-G-45204 OVER
 .000050 MIN. NICKEL PER QQ-N-290
 ALL OTHER METAL PARTS: .000100 MIN. NICKEL PER QQ-N-290 OVER
 COPPER FLASH PER MIL-C-14550
3. FOR USE WITH RG-316 CABLE OR EQUIVALENT.
4. FOR CABLING PROCEDURES USE CAP 9-09 WITH TRIMMING DIMENSIONS SHOWN.
5. CRIMP FERRULE USING .128 HEX DIE



CABLE TRIMMING DIMENSIONS

PER ASME Y14.5M-1994 UNLESS OTHERWISE SPECIFIED: DIMENSIONS ARE IN INCHES [MM] TOLERANCES: DECIMALS .XX ± .01 [0.254] .XXX ± .005 [0.127] ANGLES ± 2° SCALE: 8:1		NORTHROP GRUMMAN Winchester Electronics 62 Barnes Industrial Road North Wallingford, CT 06492	
CUSTOMER DRAWING		TITLE MCX R/A CABLE PLUG FOR RG-316 CABLE	
DRAWN JED	DATE 4/21/97	CHECKED JMC	DATE 4/21/97
APPROVED AT	DATE 4/21/97	APPROVED AT	DATE 4/21/97
A		SD452-900-0630N	SHT. OF REV. 1 OF 1 F