



**XOJ\_SC**  
WALL MOUNT HOOD

## HOW BEAUTIFUL KITCHENS BREATHE



**XOJ\_SC**

- High-Velocity Blower
- Incomparable handcrafted Italian finish
- 3 speed electronic illuminated controls
- 5 Minute Delay Function

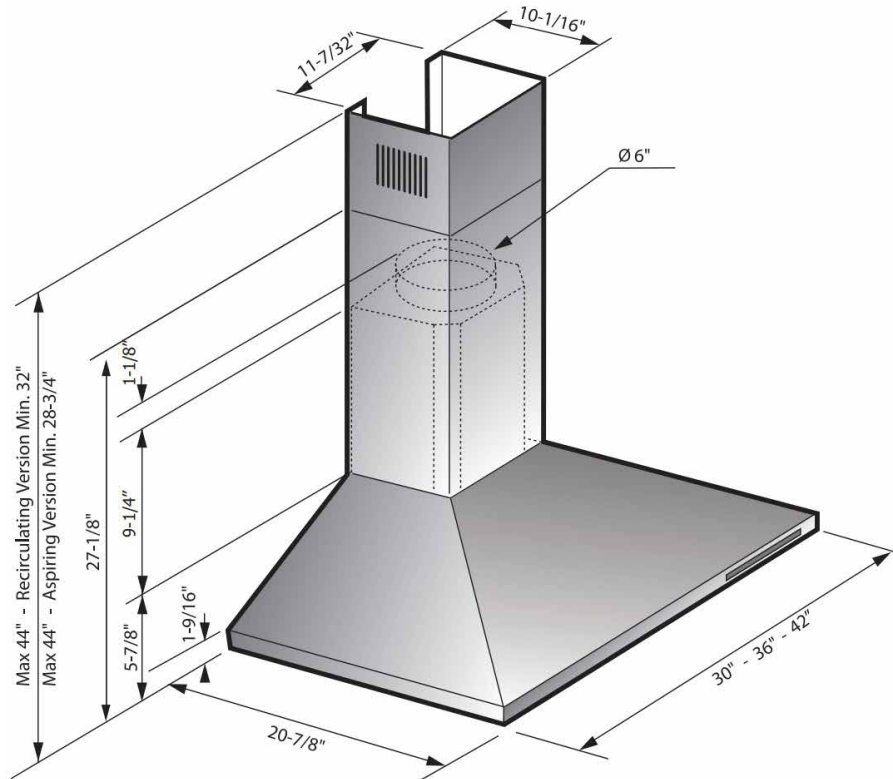
### DESIGNED AND CRAFTED IN ITALY

The XOJ is a sleek sophisticated design with flatter angles and clean edges. Designed and crafted in Italy it's the perfect choice for those seeking high performance with European styling.

At XO, we believe that a good design is something everyone can afford

WORLD CLASS SERVICE | COMPREHENSIVE WARRANTIES  
OUR LASTING COMMITMENT TO YOU





**FEATURES**

**SPECIFICATIONS**

**FINISH**

Stainless Steel

**FEATURES**

- CCC Code Compliance Control - 395 or 600 CFM
- Electronic 3 Speed Control + Power Boost
- High Efficiency 3000k LED lights (x2)
- Stainless Steel PRO Baffle Filters
- Standard Chimney fits ceilings up to 9' tall
- 6" Vertical Duct or Recirculating (Kit Sold Separately)  
(Recirculated air must be returned to the living space)
- 5 Minute Delay Shutoff Timer
- Made In Italy

**ELECTRICAL** 115VAC 60HZ 4 AMP

**DIMENSIONS**

H MAX 44" - MIN 32" (Recirc)  
MIN 28 3/4" (Vented)  
W 30", 36", 42"  
D 20 7/8"

(Refer to illustration above)

**MOUNTING HEIGHT**

ABOVE COOKING 27" - 32"

**DUCTING OPTIONS**

6 inch duct required  
Ductless Option for applications where no ducting is available

**PERFORMANCE**

SPEED	1	2	3	BOOST
CFM	160	250	395	600
SONES	1.0	2.5	4.0	6.5

**OPTIONS**

Recirculation Kit  
Duct Cover Extension  
(For ceilings up to 10' tall)

**XORFK01**  
**XOEDCJ**

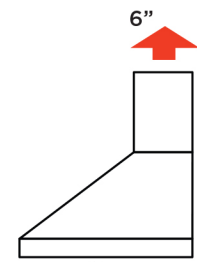
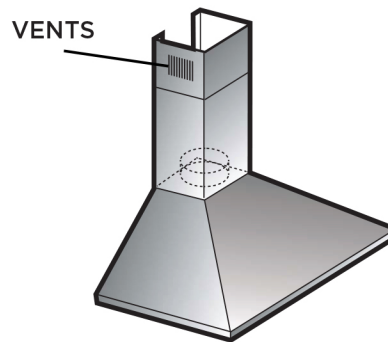
## RECOMMENDED MOUNTING HEIGHT

All range hoods have a recommended range of installation height over the cooking surface. However cooking styles, types of cooking equipment and installation limitation can vary greatly. For installations outside the recommended range - consult XO.

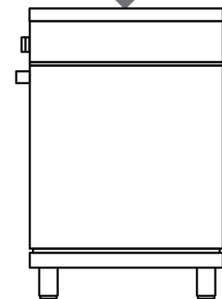
THESE MODELS HAVE A 6" DIAMETER VERTICAL EXHAUST DUCT

## RECIRCULATION

These XOJ models may be installed with an optional recirculation kit when venting outside is not practical. When used in recirculation mode the filtered exhaust is directed back into the living space through vents in the telescoping duct cover. These vents cannot be covered in the installation.



RECOMMENDED  
MOUNTING HEIGHT  
ABOVE  
COOKTOPS  
27" to 32"



SIDE VIEW

## HOW DOES CODE COMPLIANCE CONTROL HELP -



**CODE COMPLIANCE CONTROL (CCC)** enables the installer to re-program the hood as it is being installed. **Your XO Hood is set to operate at 600 CFM maximum at the factory.**

Re-programming is accomplished quickly and requires no special tools or additional parts but once done, the air flow rate is limited to a maximum of 395 CFM below the 400 CFM cap that most local codes impose eliminating the need for additional controls.

Re-programming also disables the Power Boost function. After conversion, the installer affixes a label stating the unit has been converted to 395 CFM max. Once done, the unit cannot be changed back.

If your application calls for a make-up air solution, XO gives you more choices.