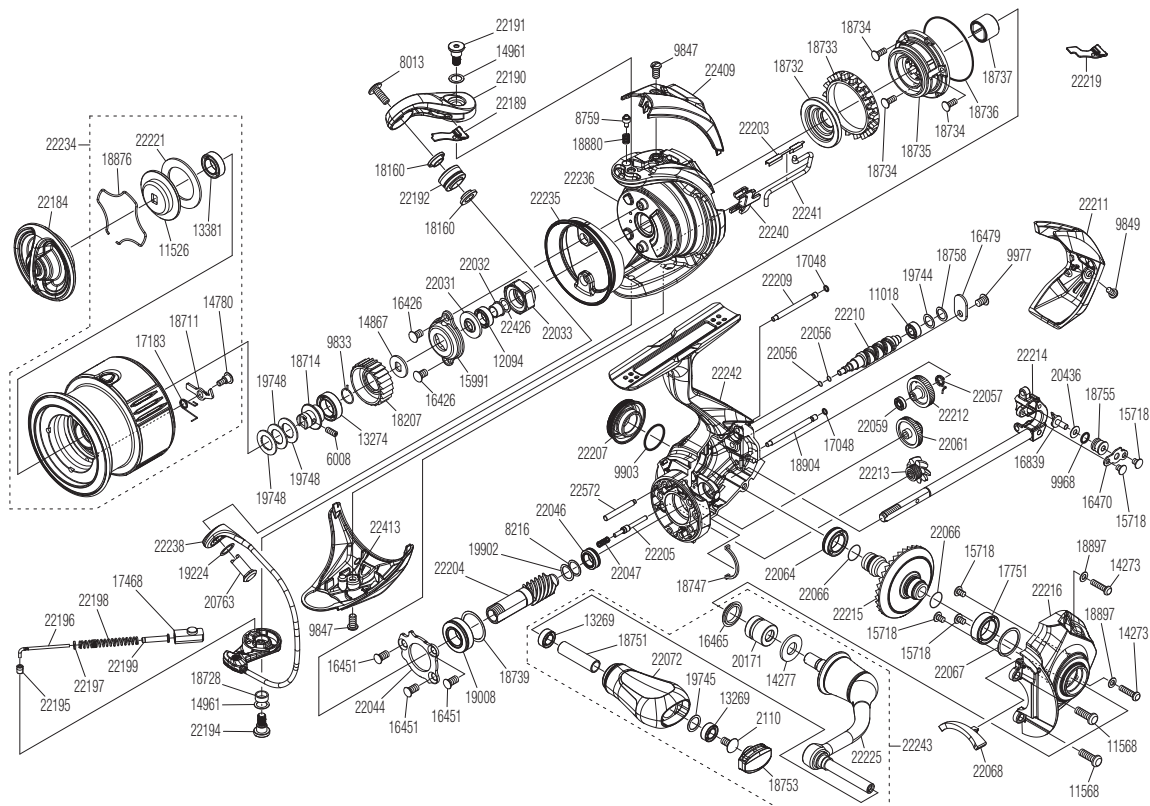


SHIMANO

STELLA

STL-1000



Please note that the number of adjusting washers may not always be the same as shown in the exploded views.

(51SF511B10X)

Please note that your actions take full responsibility when you take it apart.

#	Part No.	Description	#	Part No.	Description	#	Part No.	Description
2110	103E9	Screw	18736	10DKD	Roller Clutch Case Seal	22197	100B9	Spring Guide A Support Collar
6008	10PN2	Set Screw	18737	10DJY	Roller Clutch Inner	22198	100B8	Bail Spring
8013	10K40	Screw	18739	10RYR	Washer	22199	10S8A	Bail Spring Guide C
8216	10HV4	Spacer	18747	10DKA	Flange Water Proof	22203	10S8G	Bail Trip Sheet
8759	106UX	Click Pin	18751	1022F	Handle Knob Shaft Pipe	22204	10T2P	Pinion Gear
9833	107V2	Ratchet Spring	18753	101CV	Handle Knob Seal	22205	10T3A	Idle Gear Shaft
9847	10CYU	Screw	18755	101BY	Oscillating Slider Bushing	22207	100GY	Handle Screw Cap
9849	106ZG	Screw	18758	10TK0	Washer	22209	100BA	Oscillating Guide A
9903	108WA	O Ring	18876	10B6M	Retainer	22210	10S8F	Worm Shaft
9968	108W9	O Ring	18880	10024	Click Spring	22211	100H3	Rear Protector
9977	103LH	Screw	18897	10GD4	Washer	22212	100AP	Idle Gear
11018	10PDA	Ball Bearing	18904	10029	Oscillating Guide B	22213	10T2Q	Idle Gear (Large)
11526	10B9X	Key Washer	19008	1022A	Ball Bearing	22214	10RU3	Main Shaft Assembly
11568	10M2C	Screw	19224	1002S	Washer	22215	10TEG	Drive Gear
12094	104K1	Ball Bearing	19744	100XZ	Washer	22216	10RTW	Side Cover Assembly
13269	104VX	Ball Bearing	19745	104FH	Washer	22221	100B7	Drag Washer A
13274	104PP	Ball Bearing	19748	10DHG	Spool Washer	22225	100XU	Handle Shank Assembly
13381	104JT	Ball Bearing	19902	10DJ1	Washer	22234	101FG	Spool Assembly
14273	10LUY	Screw	20171	10DZE	Handle Shaft Cover B	22235	100H1	Rotor Brim
14277	10FMF	Washer	20436	100CW	Washer	22236	101PK	Rotor Assembly
14780	10A6F	Screw	20763	10RKV	Line Roller Support	22238	101FE	Bail Assembly
14867	103PE	Spool Support A	22031	1004T	Bearing Water Proof	22240	10T38	Bail Trip Cover
14961	10J1F	Washer	22032	10R5P	Spacer	22241	10S86	Bail Trip Lever
15718	1055G	Screw	22033	10R5F	Rotor Nut	22242	101FD	Body Assembly
15991	1076P	Retainer	22044	10R53	Bearing Retainer	22243	101FJ	Handle Assembly
16426	103LB	Screw	22046	10R50	Ball Bearing	22409	100HH	Bail Spring Cover
16451	10ML6	Screw	22047	10R5T	Idle Gear Spring	22413	10T80	Bail Hold Support
16465	10PXU	Handle Shaft Seal	22056	10092	O Ring	22426	101FF	Washer
16470	10HAG	Oscillating Pawl Cover	22057	10R5N	Idle Gear Spring	22572	13XFM	Idle Gear C Shaft
16479	10ATB	Worm Shaft Retainer	22059	10R5Q	Ball Bearing			
16839	106VK	Oscillating Pawl	22061	10R4Q	Idle Gear C			
17048	10908	O Ring	22064	10R5U	Bail Bearing			
17183	10BQF	Drag Click Spring	22066	1009S	O Ring			
17468	10R2E	Bail Spring Guide B	22067	1022D	Washer			
17751	10EX8	Ball Bearing	22068	10R4Y	Bail Trip Strike			
18160	1020L	Bearing Spacer	22072	100A8	Handle Knob Assembly			
18207	10SYS	Drag Click Ratchet	22184	101FH	Drag Knob Assembly			
18711	10TJX	Drag Click	22189	10R5M	Bail Arm Fin			
18714	10DKF	Spool Bearing Bushing	22190	100GZ	Bail Arm			
18728	101D0	Bushing	22191	10T35	Screw			
18732	101D5	Rotor Ring	22192	10SMD	Line Roller Set			
18733	10DK7	Friction Ring	22194	100AQ	Screw			
18734	101D7	Screw	22195	10S8C	Bail Spring Guide A Bush			
18735	10S2L	Roller Clutch Assembly	22196	100AT	Bail Spring Guide A	22219	10S8H	Bail Arm Fin (accessory)