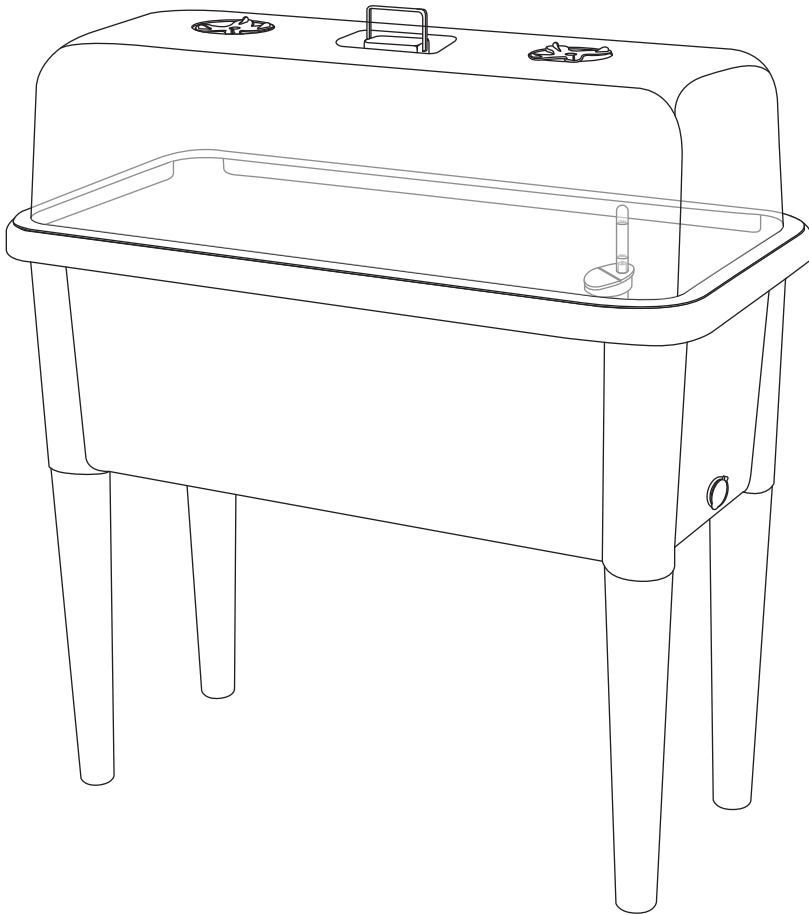




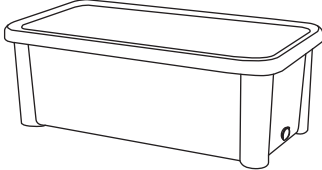
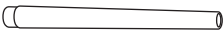
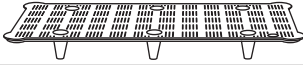
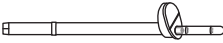
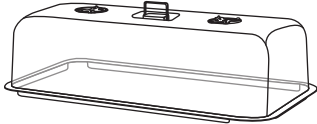
SELF-WATERING RAISED GARDEN BED WITH CLOCHE COVER

IEO-6819

Review all assembly and care instructions carefully before using this product. Save this manual for future reference.
Assemble components on a soft, clean surface to avoid damaging the finish.



 Inspect packaging to ensure all parts are accounted for before disposing of packing materials.
 Save the packing slip.

No.	PARTS		QTY.
A		Planter Box	1
B		Leg	4
C		Grid	1
D		Watering Tube	1
E		Cloche Cover	1

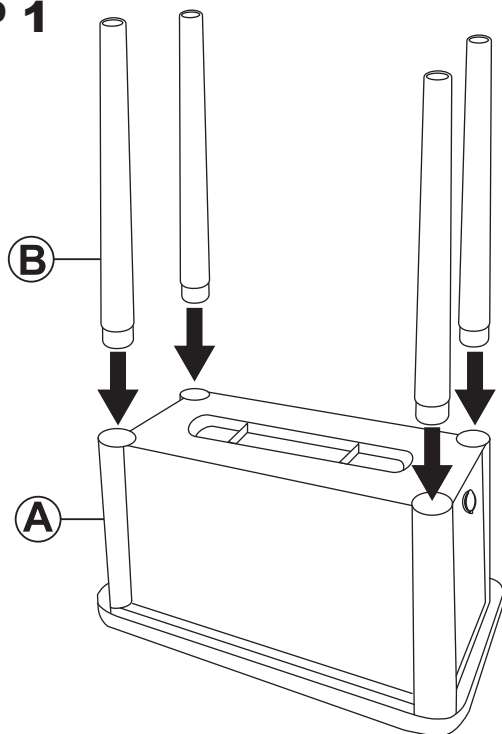
WARNING!

Manufacturer and seller expressly disclaim any and all liability from personal injury, property damage or loss, whether direct or indirect, or incidental, resulting from the incorrect attachment, improper use, inadequate maintenance, or neglect of this product.

ASSEMBLY

STEP 1

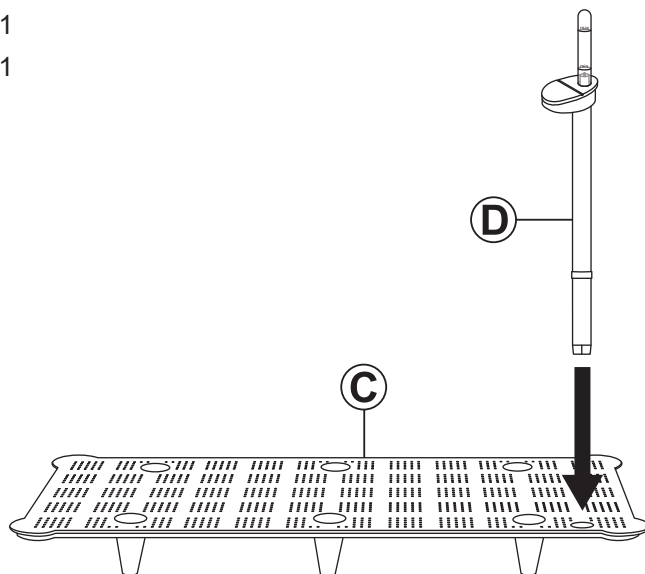
A: 1
B: 4



Insert four Legs (B) into the bottom of Planter (A).
Turn the unit upright.

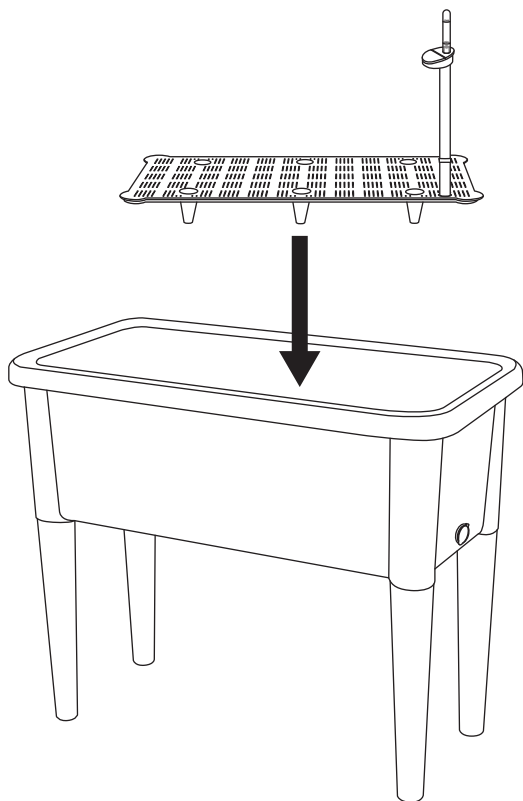
STEP 2

C: 1
D: 1



Insert the bottom of Watering Tube (D) into Grid (C) as shown.

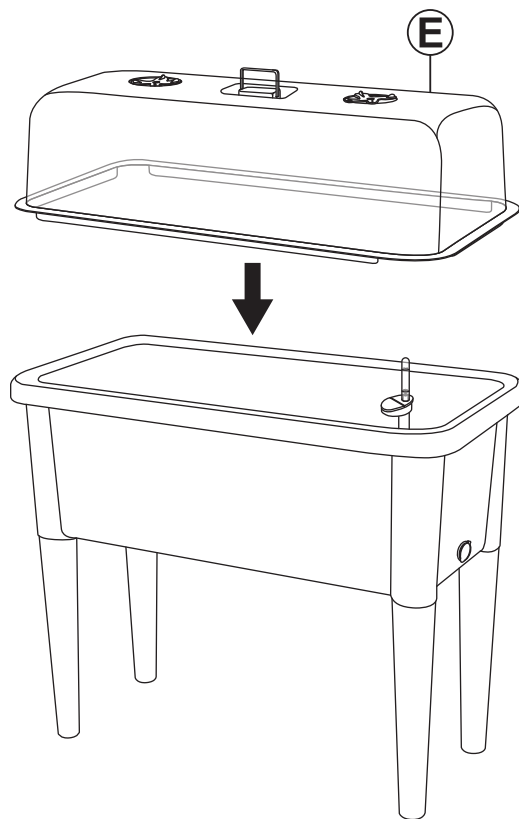
STEP 3



Place the grid with the watering tube into the planter box.

STEP 4

E: 1



Place Cloche (E) onto the planter box.

GENERAL USE & CARE

Thank you for choosing Sunnydaze Decor for your next gardening adventure! We cannot foresee every possible scenario or climate in which this garden bed could be used. Information provided is a basic guide and may not be suited for your particular needs.

FOR OUTDOOR USE ONLY

This garden bed system is not guaranteed to be water-tight and may leak. Only use on a flat, level surface that cannot be damaged by runoff in the event the garden bed is over-watered, receives heavy rain, and/or the reservoir needs to be drained.

CHOOSE A LOCATION BEFORE FILLING THEM

Plan ahead! We highly recommend selecting a permanent location for the garden bed before each growing season. Moving the garden bed after it is filled with dirt could cause some components to disconnect.

Select a location that will provide optimal growing conditions (sun, shade, wind barriers, etc.) for your plants. Lightweight potting soil is recommended for container gardening to ensure better drainage, higher nutrients, and even fertilizers in the mix.

HOW THE SELF-WATERING FEATURE WORKS

Self-watering systems help provide more consistent soil moisture, help plants to absorb water and nutrition more completely, help protect plants from root rot and over-drying, as well as make it so you don't have to water as often.

Self-watering garden beds use sub-irrigation to help deliver water to the plant roots through a process known as capillary action. Essentially, the planter box acts as a water reservoir, and the grid acts as a barrier between the soil and the water. When there is excess water in the planter box, water particles slowly rise upwards through the grid and cling to the soil particles, all the way up to the soil line.

IMPORTANT: The garden bed does not water itself—regular watering is required! The self-watering feature is supplemental to normal gardening practices.

The watering tube helps indicate when water is needed. Water the soil as you normally would. Then, fill the water tube. As water increases, the red core inside the watering tube rises. When the red core reaches 'max', no more water is needed. When the red core is down to 'min', water the soil and tube as needed.

If you accidentally over-water the garden bed or heavy rains cause it to become waterlogged, pull out the drain plug to allow excess water to empty out of the planter box.

USING THE CLOCHE

Only use the cloche during cool weather. Leaving the cloche on the planter during hot days can drastically heat the soil to temperatures that will destroy your plants and/or seeds.

SAFETY STATEMENTS & WARNINGS

- Do not exceed the weight capacity of the garden bed.
- Do not stand on or in the garden bed.
- Keep garden beds a safe distance from heat sources such as fire pits, patio heaters, and grills.
- Do not allow children to use this product without adult supervision.
- Do not use harsh chemicals or abrasive materials to clean.

Any modification to the product or failure to follow recommended care will void the product warranty.

WARNING:

Manufacturer and seller expressly disclaim any and all liability from personal injury, property damage or loss, whether direct or indirect, or incidental, resulting from the incorrect attachment, improper use, inadequate maintenance, or neglect of this product.