

Brenham™ | K-1999-1

Wall-mount or concealed carrier arm mount commercial bathroom sink and shroud with single faucet hole

Features

- Single faucet hole
- Oval basin
- Overflow drain
- Includes wall hanger
- Combination consists of basin and shroud



Sustainability



Available Colors/Finishes

Color tiles intended for reference only.

- 0 White
- 96 Biscuit



Codes/Standards

ADA, OBC, CSA B651 compliant when installed to the specific requirements of these regulations.



ASME A112.19.2/CSA B45.1
ADA
ICC/ANSI A117.1
CSA B651
OBC

Warranty

See website for detailed warranty information.

KOHLER® Vitreous China Bathroom Sink Lifetime Limited Warranty

Technical Information

Number of Deck Holes:	1
Faucet Hole(s) Size:	1-3/8" (35 mm)
With Overflow:	Yes
Drain Hole Diameter:	1-3/4" (44 mm)
Basin Configuration:	Single Bowl
Basin Length:	14-3/8" (365 mm)
Basin Width:	12-5/16" (313 mm)
Basin Depth:	4-9/16" (115 mm)

Material

- Vitreous china

Included Combo Skus

- K-1997-1 Wall-mount or concealed carrier arm mount commercial bathroom sink with single faucet hole
- K-1998 Shroud

Recommended Products/Accessories

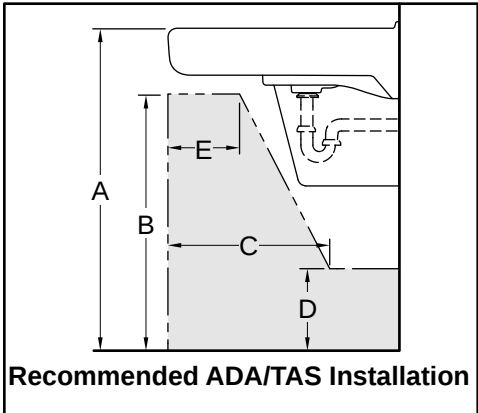
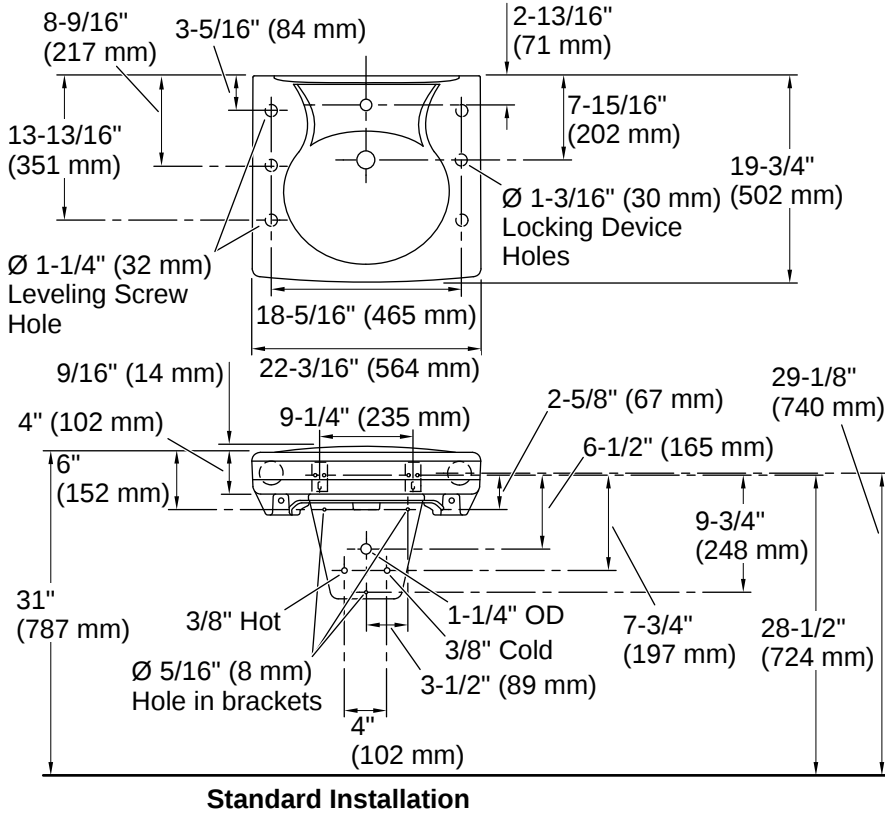
K-23726 Drain treatment

K-23725 Cast iron cleaner

K-8998 Adjustable P-trap with tubing outlet, 1-1/4" x 1-1/4"



Concealed Arm Hole Location



Recommended ADA/TAS installation:

	ADA and TAS	Children's Environment ADA and TAS Ages 6-12 yrs
A	34" (864 mm)	31" (787 mm)
B	27" (686 mm)	24" (610 mm)
C	11" (279 mm)	11-1/16" (281 mm)
D	9" (229 mm)	9-1/16" (230 mm)
E	8" (203 mm)	8-1/16" (205 mm)

Installation

- Wall-mount
- Drilled for concealed arm carrier installation

Installation Notes

Install this product according to the installation instructions.

Product dimensions are nominal and may vary per ASME A112.19.2 tolerances.

ADA, OBC, CSA B651 compliant when installed to the specific requirements of these regulations.

