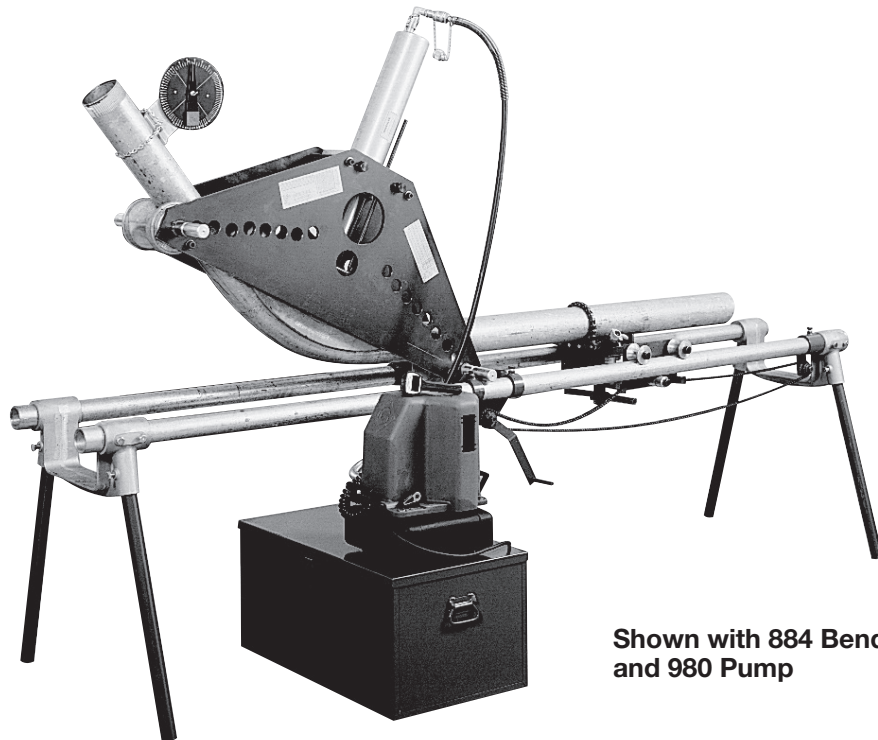


INSTRUCTION MANUAL



Shown with 884 Bender
and 980 Pump

1802 Bending Table



Read and understand all of the instructions and safety information in this manual before operating or servicing this tool.

Register this product at www.greenlee.com

Table of Contents

Description	2
Safety	2
Purpose of this Manual	2
Important Safety Information	3
Setup	4-6
Illustration	7
Parts List	8

Description

The Greenlee 1802 Bending Table is intended to make the Greenlee 777, 880, 883, 884, and 885 Rigid Conduit Benders easier to use. Loading is faster and easier.

Safety

Safety is essential in the use and maintenance of Greenlee tools and equipment. This instruction manual and any markings on the tool provide information for avoiding hazards and unsafe practices related to the use of this tool. Observe all of the safety information provided.

Purpose of this Manual

This manual is intended to familiarize all personnel with the safe operation and maintenance procedures for the following Greenlee tool:

1802 Bending Table

Keep this manual available to all personnel.

Replacement manuals are available upon request at no charge at www.greenlee.com.

All specifications are nominal and may change as design improvements occur. Greenlee Tools, Inc. shall not be liable for damages resulting from misapplication or misuse of its products.

KEEP THIS MANUAL

IMPORTANT SAFETY INFORMATION



SAFETY ALERT SYMBOL

This symbol is used to call your attention to hazards or unsafe practices which could result in an injury or property damage. The signal word, defined below, indicates the severity of the hazard. The message after the signal word provides information for preventing or avoiding the hazard.

⚠️ DANGER

Immediate hazards which, if not avoided, **WILL** result in severe injury or death.

⚠️ WARNING

Hazards which, if not avoided, **COULD** result in severe injury or death.

⚠️ CAUTION

Hazards or unsafe practices which, if not avoided, **MAY** result in injury or property damage.



⚠️ WARNING

Pinch points:
Keep hands away from moving parts.
Failure to observe this warning could result in severe injury or death.



⚠️ WARNING

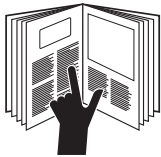
- Do not use as a step or ladder.
- Use only on a hard, flat, level surface.

Failure to observe these warnings could result in severe injury or death.

⚠️ WARNING

- Keep bystanders a safe distance from the work area.
- Follow recommended service procedures.
- Use only original equipment or Greenlee specified replacement parts and accessories.
- Use this unit for the manufacturer's intended purpose only, as described in this manual.

Failure to observe these warnings could result in severe injury or death.



⚠️ WARNING

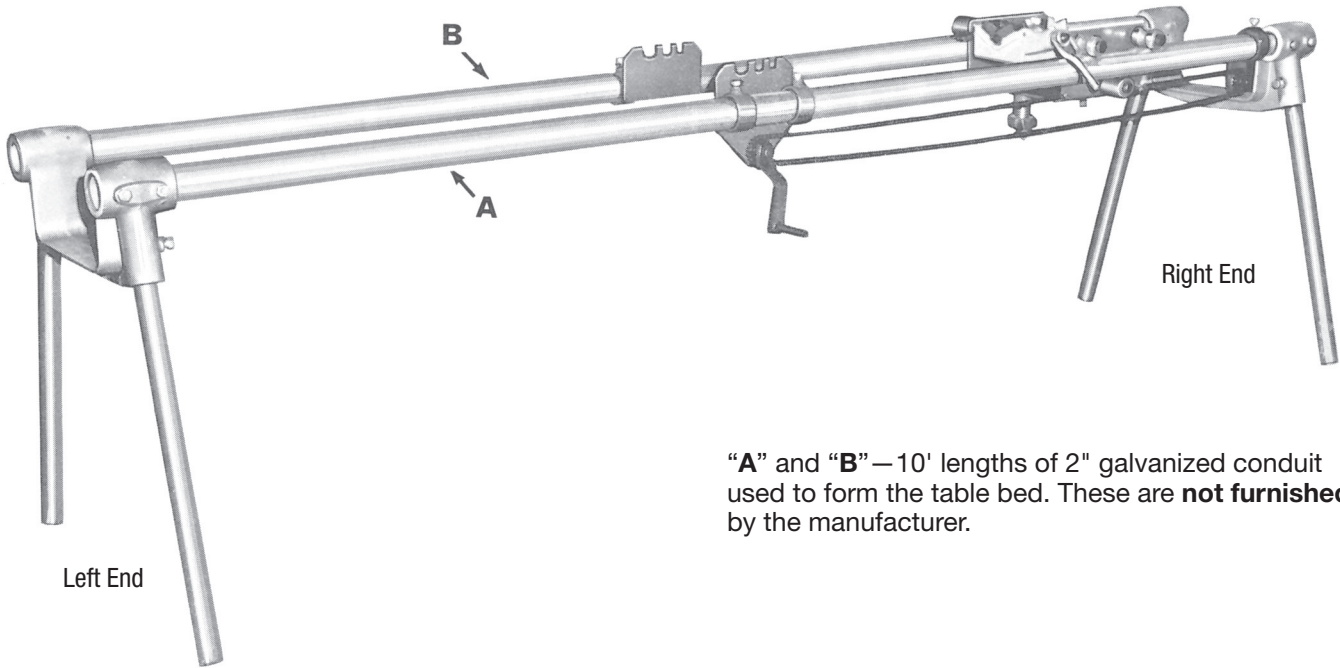
Read and understand all of the instructions and safety information in this manual before operating or servicing this tool.

Failure to observe this warning could result in severe injury or death.

Note: Keep all decals clean and legible, and replace when necessary.

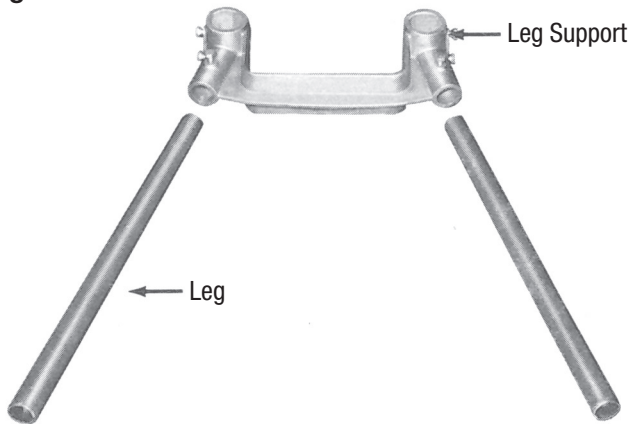
Setup

1802 Bending Table Assembled (without bender)



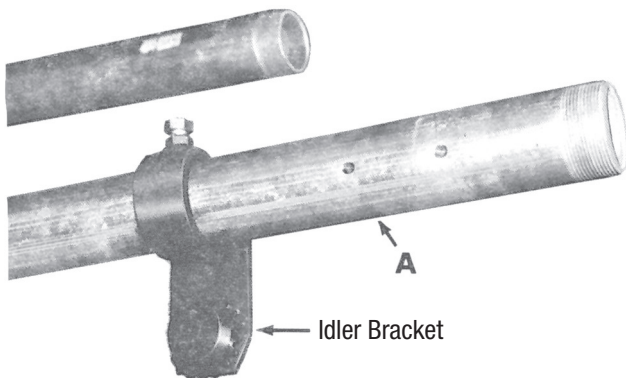
“A” and “B”—10' lengths of 2" galvanized conduit used to form the table bed. These are **not furnished** by the manufacturer.

Figure 1



Insert legs into both leg supports and tighten screws. Do not install conduit “A” and “B”.

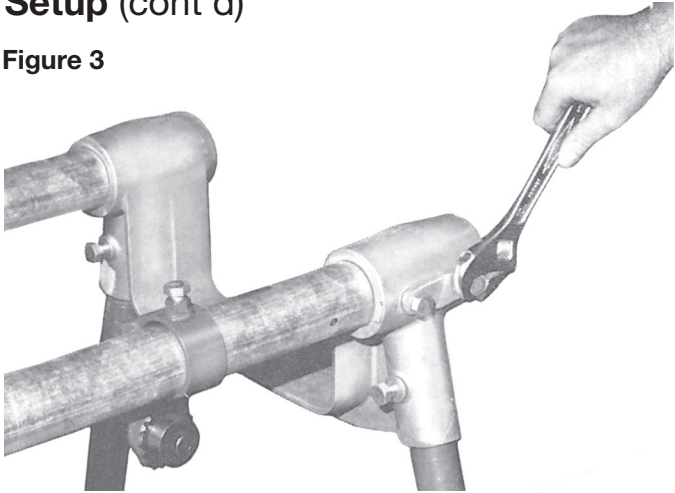
Figure 2



Slide idler gear and bracket over right end of conduit “A”.

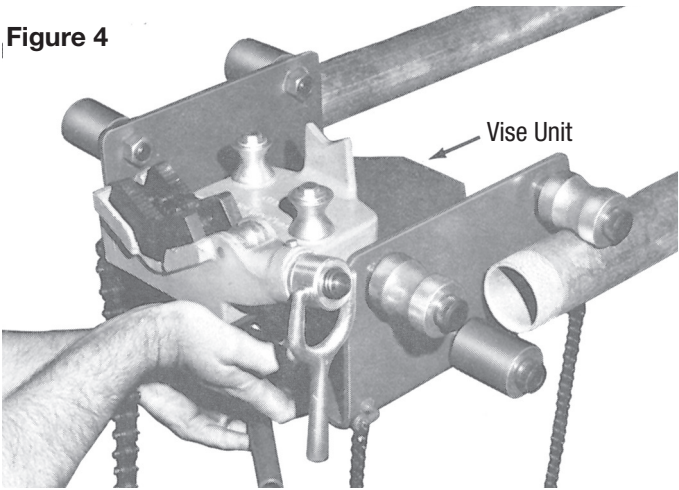
Setup (cont'd)

Figure 3



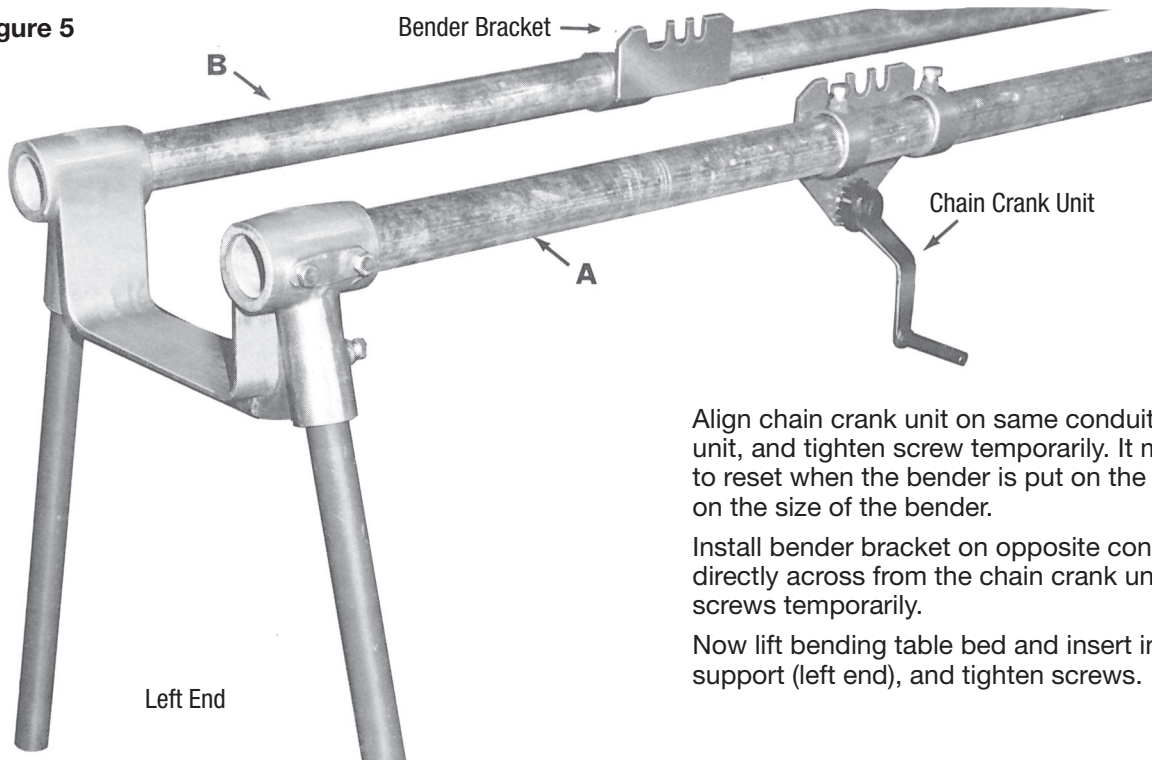
Now place right ends of conduit "A" and "B" into right leg support and tighten screws.

Figure 4



Place conduit vise and roller assembly over opposite end of bending table bed (left end). Be sure that vise handle is on the same side as the idler bracket. Refer to Figure 2. Then move assembly to center of table bed.

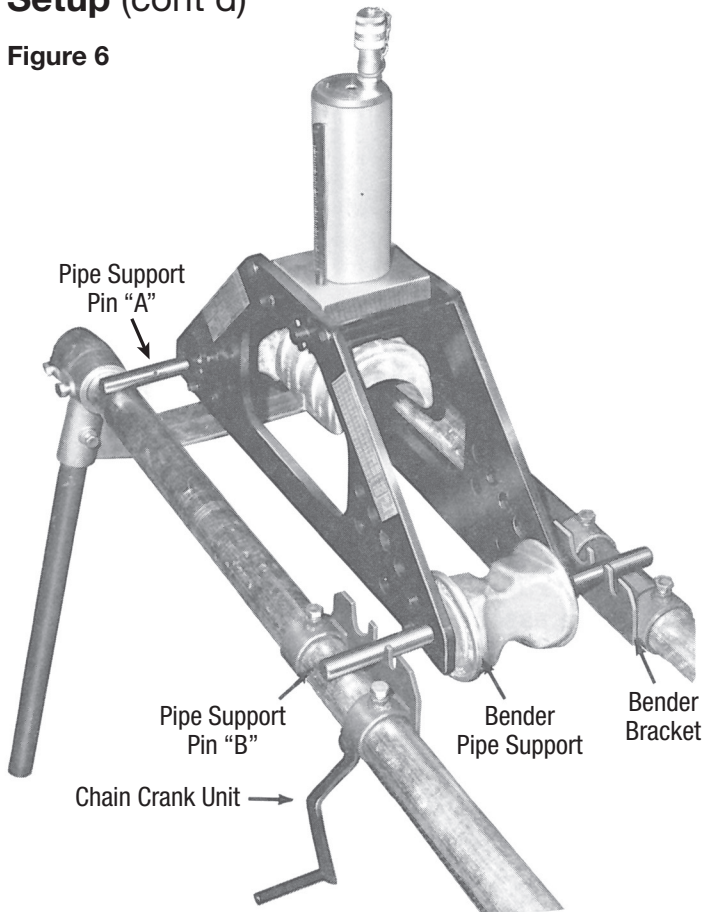
Figure 5



Align chain crank unit on same conduit "A" as idler gear unit, and tighten screw temporarily. It may be necessary to reset when the bender is put on the table, depending on the size of the bender.

Install bender bracket on opposite conduit "B" and directly across from the chain crank unit, and tighten screws temporarily.

Now lift bending table bed and insert into the other leg support (left end), and tighten screws.

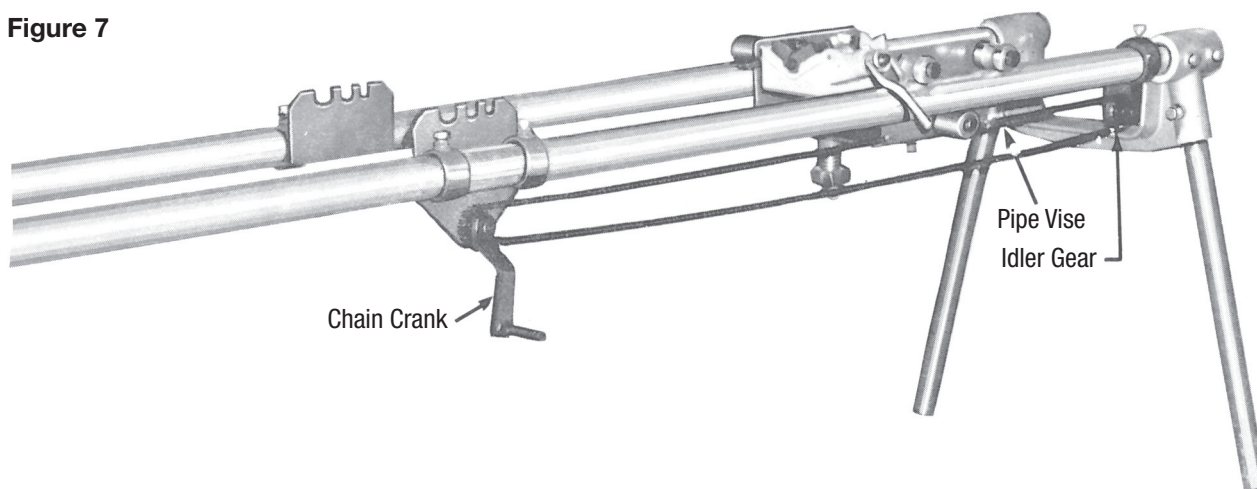
Setup (cont'd)**Figure 6**

Select the proper size pipe support pins to be used:

- 3/4" diameter pin with 880 bender
- 1" diameter pin with 777 and 883 benders
- 1-1/2" diameter pin with 884 and 885 benders

Pipe support pin "A" is placed in bender frame hole that corresponds to the size of conduit to be bent. Place bender on table bed near end, opposite idler gear. Move chain crank bracket forward to match the conduit size holes in frame with like holes in bender bracket. Insert pipe support pin "B" into brackets, bender frame, and pipe support. When fully assembled, pipe support pin "A" should be approximately 1" from leg support.

Note: Pipe support pins are optional equipment with this unit and not furnished by the manufacturer.

Figure 7

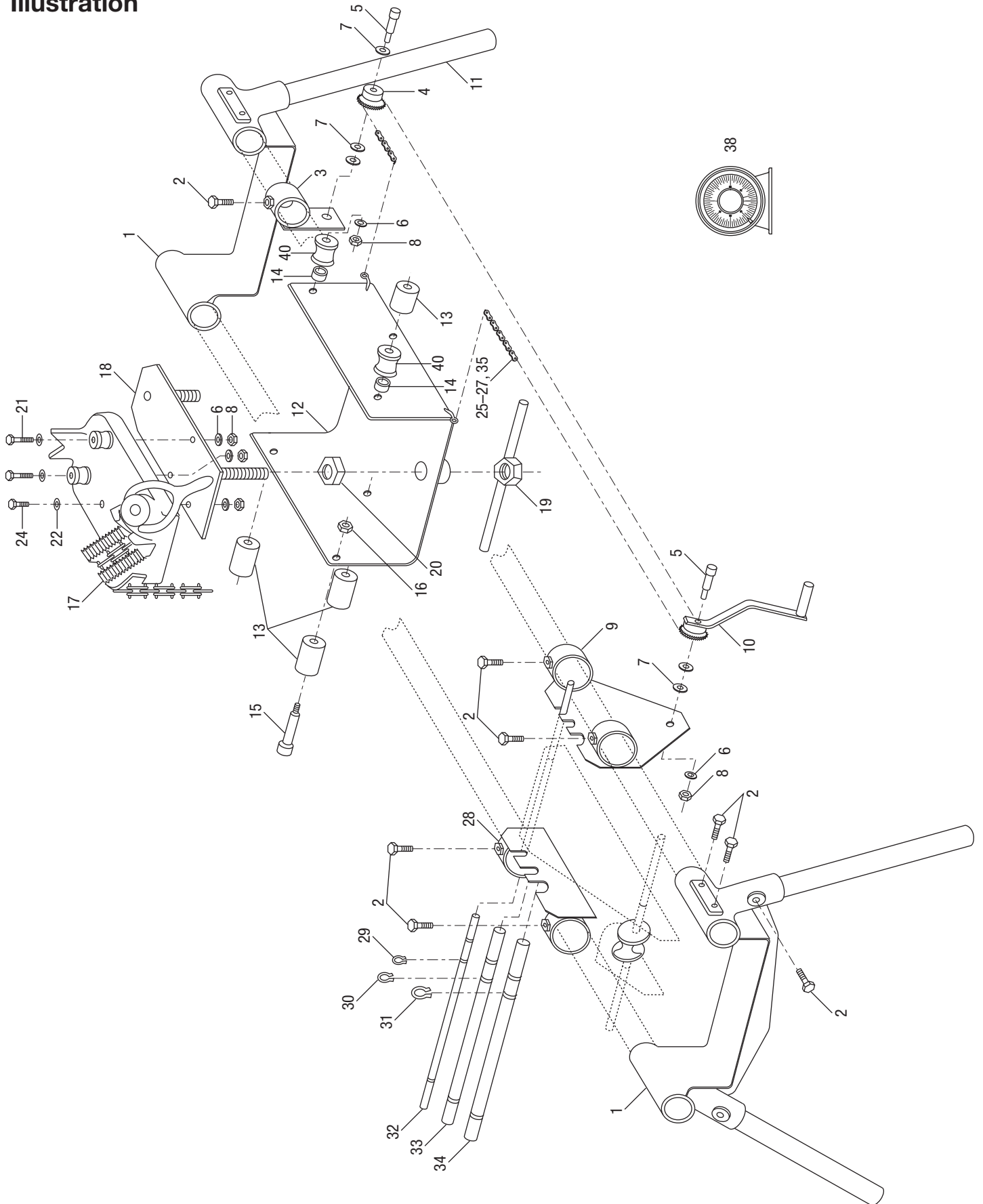
Attach loose end of drive chain to pipe vise unit. Then place chain around idler gear and chain crank gear. Reposition idler gear to tighten drive chain, as it must be tight for proper operation. Bending table is now ready for bending radii up to 36" and with the Greenlee 884 or 885 bender in outer pipe support holes.

Note: To bend 36" radii or larger, chain extension kit 50214136 must be added to the standard drive chain. This kit is required when using Greenlee 777 and 880 benders in the outer most position and Greenlee 884 and 885 benders in 3" pipe support position and lower.

CHECK ALL SCREWS TO BE SURE THEY ARE TIGHT.

In some instances, when extra long radii bends are required, the length of bending table at left end can be extended by adding 24" conduit couplings.

Illustration



Parts List

Key	Part No.	Description	Qty	Key	Part No.	Description	Qty
1		Leg support.....	2	29		Retaining ring for 880 bender (optional)	1
2		Hex hd. cap screw, 1/2-13 UNC x 1 cad. plated	17	30		Retaining ring for 777 and 883 benders (optional)	1
3		Idler bracket.....	1	31		Retaining ring for 884 and 885 benders.....	1
4		Sprocket	1	32		Pipe support pin, 3/4" for 880 bender (optional).....	1
5		Skt. hd. shld. screw, 5/8 x 1-1/4 x 1/2-13.....	2	33		Pipe support pin, 1" for 777 and 883 benders (optional).....	1
6		Lock washer, 1/2.....	5	34		Pipe support pin, 1-1/2" for 884 and 885 benders	1
7		Washer, 5/8" bolt x 1-5/16 OD flat.....	7	35	50214136	Chain extension kit	1
8		Hex nut, 1/2-13 UNC cad. plated	5	37	50232746	Storage box (not shown).....	1
9		Chain crank bracket.....	1	38	50359053	Large protractor	1
10		Crank assembly	1	40	50247204	Pipe roller, 2".....	2
11	50213466	Leg.....	4		50215418	Leg support unit (includes 1 of item 1; 6 of item 2)	2
12	50213490	Saddle assembly	1		50215426	Chain idler unit (includes 1 of items 2-6, 8; 5 of item 7).....	1
13	50247654	Straight roller	4		50215434	Crank bracket unit (includes 1 of items 5, 6, 8-10; 2 of items 2, 7).....	1
14	50213512	Spacer, .824 x 1.05 x .38	2		50215442	Pipe vise unit (includes 1 of items 12, 17-20, 24, 25; 2 of items 14, 21, 26, 27, 40; 3 of items 6, 8, 22; 6 of items 15, 16; 4 of item 13).....	1
15		Skt. hd. shld. screw, 3/4 x 2-3/4 x 5/8-11	6		50215450	Bender bracket unit (includes 1 of item 28; 2 of item 2)	1
16		Lock nut, 5/8-11 NC-2B	6		50213571	Pipe support, 3/4" for 880 bender (includes items 29, 32) (optional)	2
17	50279947	Pipe vise	1		50213598	Pipe support, 1" for 777 and 883 benders (includes items 30, 33) (optional)	2
18	50213539	Adjusting pad.....	1		50213601	Pipe support, 1-1/2" for 884 and 885 benders (includes items 31, 34).....	2
19		Elevating screw assembly.....	1				
20		Elevating screw nut.....	1				
21		Hex hd. cap screw, 1/2-13 x 3-1/4	2				
22		Flat washer std., 1/2	3				
24		Hex hd. cap screw, 1/2-13 x 1-1/2	1				
25	50213628	Chain no. 35.....	1				
26	90525590	Offset link w/cotter (no. 35 chain).....	2				
27	90517970	Connecting link (no. 35 chain)	2				
28		Bender bracket	1				