



# Assembly & Installation Instructions

**CAUTION:** Read instructions carefully and turn electricity off at main circuit breaker panel before beginning installation.

## 3486,3487,3573,3575

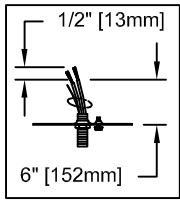
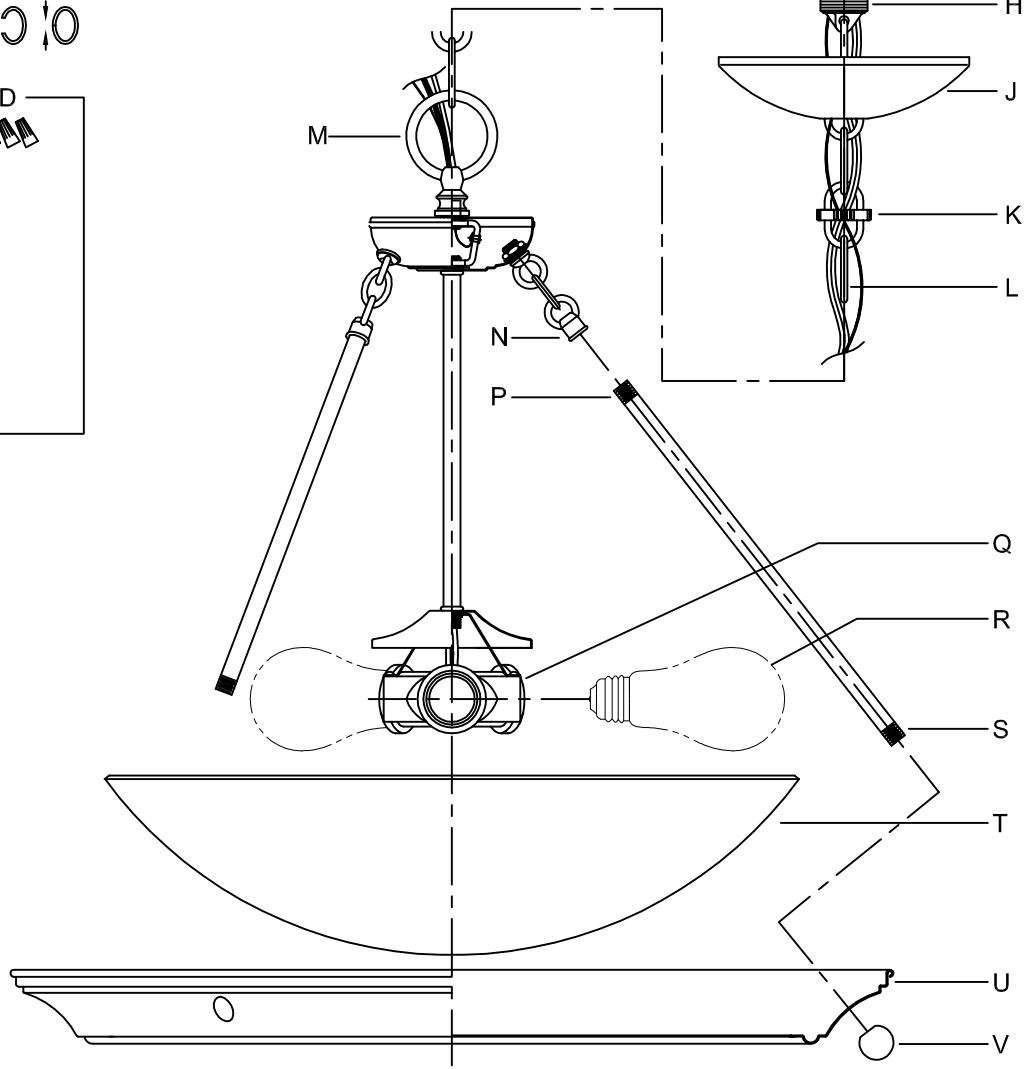
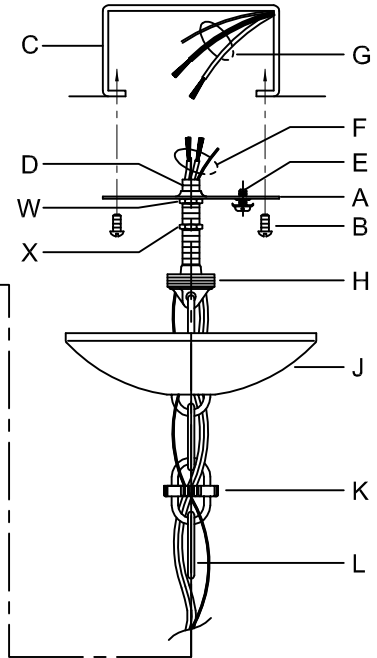
\*\*\*\*\*  
**WARNING - IF ANY SPECIAL CONTROL DEVICES ARE USED WITH THIS FIXTURE, FOLLOW THE INSTRUCTIONS CAREFULLY TO ASSURE FULL COMPLIANCE WITH N.E.C. REQUIREMENTS. IF THERE ARE ANY QUESTIONS, CONTACT A QUALIFIED ELECTRICAL CONTRACTOR.**  
**WARNING - This product contains chemicals known to the State of California to cause cancer, birth defects and /or other reproductive harm. Thoroughly wash hands after installing, handling, cleaning, or otherwise touching this product.**  
**CAUTION: ALL GLASS IS FRAGILE, USE CARE WHEN HANDLING LAMPS AND GLASS SHADE**  
 \*\*\*\*\*

### ASSEMBLY STEPS

PASOS PARA ENSAMBLAR  
 MODE D'ASSEMBLAGE

1. D,E → A
2. B,A → C
3. W,X,H → D (TO LOCK) (APRETAR) (À VERROUILLER)
4. X → H
6. L → M
7. K,J → L
8. L → H
9. F → L,K,J,H,D
10. F → G
11. J,K → H
12. P → N
13. R → Q
14. T → U
15. V → U,S

B, C, G & R  
 (NOT FURNISHED)  
 (NO INCLUIDA)  
 (NON FOURNIE)



ADJUST HEIGHT WITH "D"  
 W → A TO LOCK  
 AJUSTA LA ALTURA CON "D"  
 W → A APRETAR  
 RÉGLEZ LA HAUTEUR AVEC "D"  
 W → A À VERROUILLER

