

# Assembly Guide



**Bush**  
FURNITURE

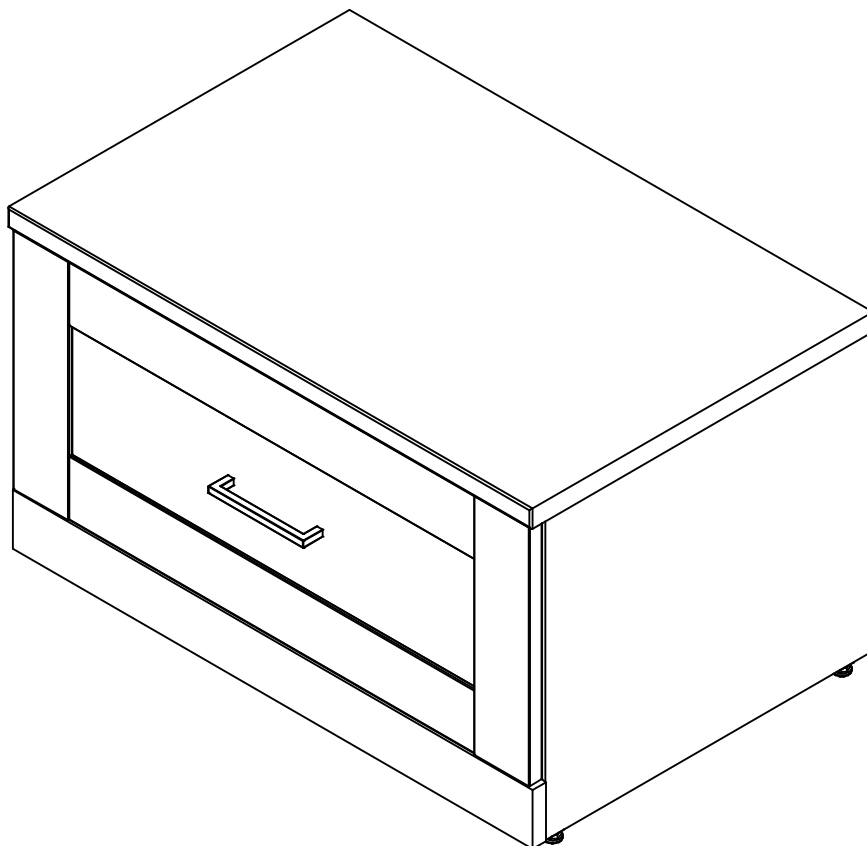


If you're having any difficulty during assembly of this product, don't hesitate to call us at **1-800-950-4782.**

Our customer service experts are trained to provide step-by-step instruction and can easily replace any missing or damaged parts.

**Representatives are available Monday-Friday from 8:30 a.m. to 7:30 p.m. (ET)**

## 30W Drawer Bench



Lot Code #

Instruction Sheet Number A215920

Keep manual for future reference.

## For best results, keep these tips in mind:

- ① We know you want to finish this assembly as quickly as possible, but trust us: you'll have a better experience if you take it one step at a time.
- ② Give yourself some room to work near where you want the fully assembled product.
- ③ If your floor isn't carpeted, assemble this product on the empty carton to avoid scratching.
- ④ Do you have a friend who owes you a favor? Some steps may go a little easier with a second set of hands.

## DOs

- ✔ Use a #2 Phillips head screwdriver (or other handheld tools as indicated)
- ✔ Wear safety glasses at all times during assembly
- ✔ Carefully follow the instructions in this guide and complete all steps in order
- ✔ Give us a call if you're having trouble with a particularly tricky step

## DON'Ts

- ✘ We know power tools are quick and easy, but you shouldn't use them when assembling this product (unless otherwise specified)
- ✘ Never move your furniture with items inside or resting on the surface
- ✘ Do not attempt to use this product before all steps have been completed

## Watch assembly videos right on your phone or computer!



Some steps include QR codes that link to helpful videos. Watch out for the icon below! Simply open up your smartphone camera to scan the code.

*(Users of older smartphones may need to install a QR Reader.)*

### SCAN HERE



FOR VIDEOS

Or visit <https://bushfurniture.com/help-faq/#assembling>



# IMPORTANT SAFETY INFORMATION



## PLEASE READ WARNINGS

Improper use can cause safety hazards, or damage to your furniture and household items.

Warning	Do	Don't	Why it's important
<b>Serious injury or death may occur.</b>	<ul style="list-style-type: none"><li>• Assemble following all instructions using all indicated parts and hardware provided.</li><li>• Install tip-over restraint provided.</li><li>• Install every indicated nail and/or screw.</li><li>• Verify Furniture is stable on it's own.</li><li>• Remove all items from shelves before moving or lifiting.</li><li>• Only place hall tree against a permanent wall at least as tall as this product or place back-to-back with another hall tree of the same height.</li></ul>	<ul style="list-style-type: none"><li>• Do not move unit when loaded.</li><li>• Do not load with a television or other heavy equipment.</li><li>• Do not exceed the maximum load limits stated in the instructions.</li><li>• Do not allow children to stand, climb, or hang on furniture.</li></ul>	Improper assembly, use or loading can lead to product instability, tipover, or collapse.

# IMPORTANT SAFETY INFORMATION



## PLEASE READ WARNINGS

Improper use can cause safety hazards, or damage to your furniture and household items.

Advertencia	Hacer	No	Por qué es importante
<p><b>Pueden producirse lesiones graves o la muerte.</b></p>	<ul style="list-style-type: none"><li>• Realice el montaje siguiendo todas las instrucciones y utilizando todas las piezas indicadas y los herrajes suministrados.</li><li>• Instale el sistema de retención antivuelco suministrado.</li><li>• Instale todos los clavos y/o tornillos indicados.</li><li>• Compruebe que el mueble sea estable por sí mismo.</li><li>• Retire todos los artículos de los estantes antes de desplazar o levantar el producto.</li><li>• Coloque el árbol de pasillo sólo contra una pared permanente que sea al menos tan alta como este producto o colóquelo espalda con espalda con otro árbol de pasillo de la misma altura.</li></ul>	<ul style="list-style-type: none"><li>• No mueva la unidad cuando esté cargada.</li><li>• No cargue el mueble con un televisor u otro equipo pesado.</li><li>• No supere los límites máximos de carga indicados en las instrucciones.</li><li>• No permita que los niños se pongan de pie, trepen o se cuelguen de los muebles.</li></ul>	<p>El montaje, uso o carga inadecuados pueden provocar inestabilidad, vuelco o colapso del producto.</p>

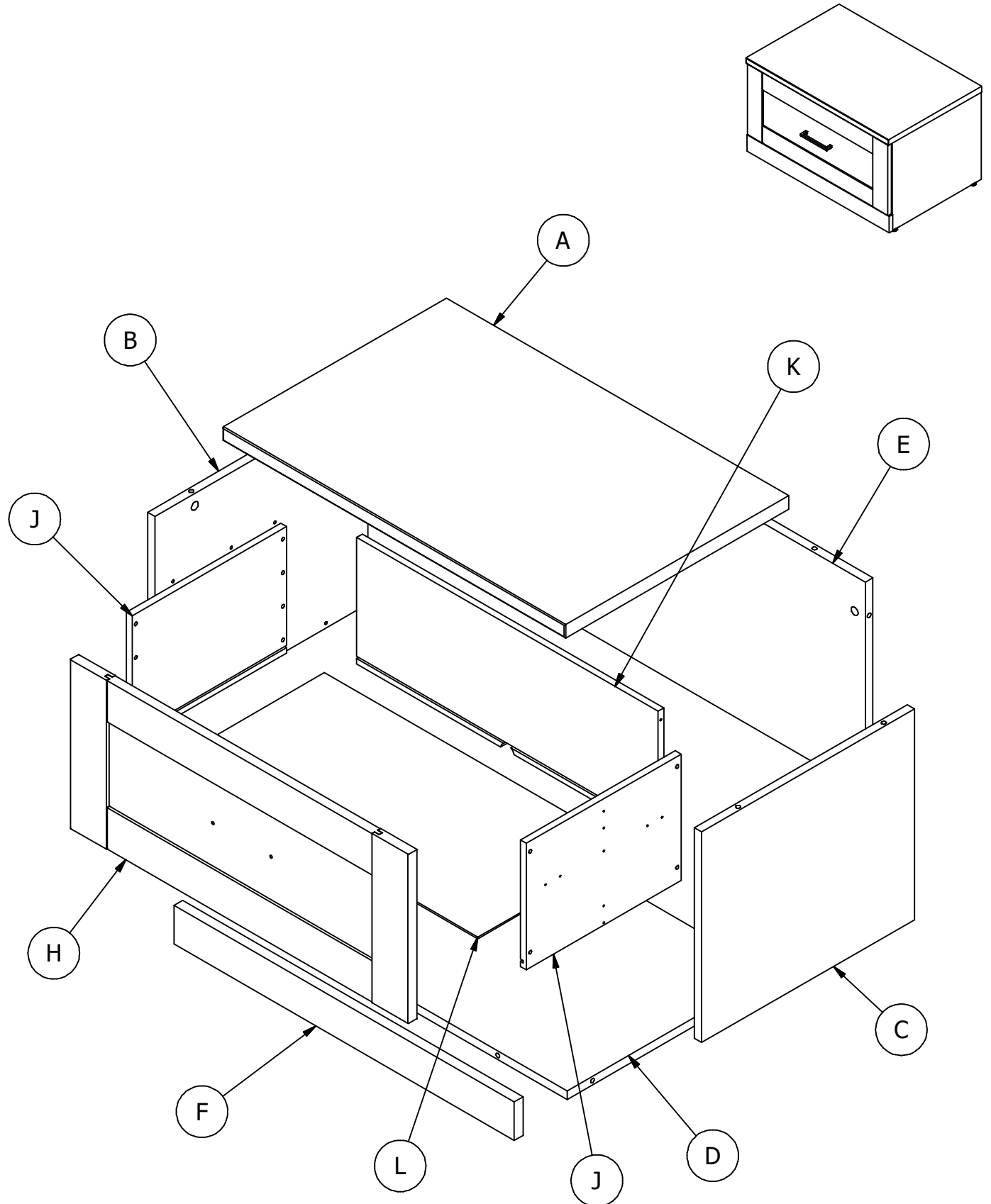
# IMPORTANT SAFETY INFORMATION



## PLEASE READ WARNINGS

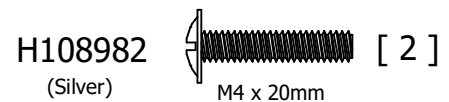
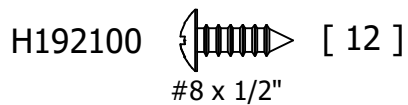
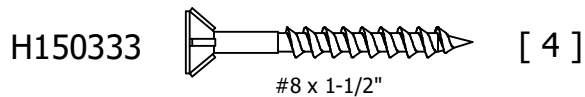
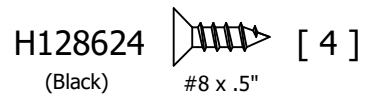
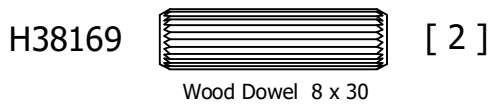
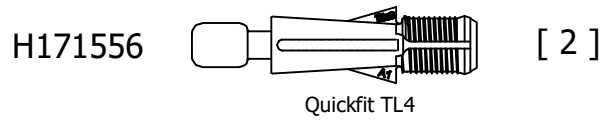
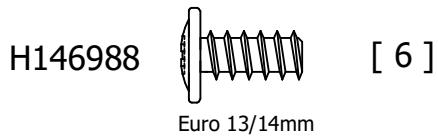
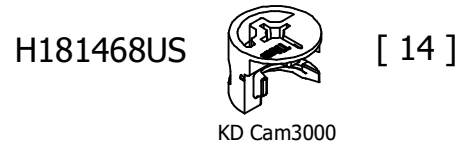
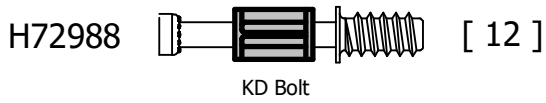
Improper use can cause safety hazards, or damage to your furniture and household items.

Avertissement	À faire	À ne pas faire	Pourquoi c'est important
<b>Peut entraîner des blessures graves ou la mort.</b>	<ul style="list-style-type: none"><li>• Assembler en suivant toutes les instructions et en utilisant toutes les pièces et la quincaillerie incluses.</li><li>• Installer le matériel de fixation mural inclus.</li><li>• Installer tous les clous et/ou toutes les vis.</li><li>• Assurez-vous que le meuble soit stable par lui-même.</li><li>• Retirez tous les articles des tablettes avant de déplacer ou de soulever.</li><li>• Placer le portemanteau contre un mur permanent au moins aussi haut que ce produit ou le placer dos à dos avec un autre portemanteau de la même hauteur.</li></ul>	<ul style="list-style-type: none"><li>• Ne pas déplacer le meuble lorsqu'il est chargé.</li><li>• Ne pas charger le meuble avec un téléviseur ou tout autre équipement lourd.</li><li>• Ne pas dépasser les limites de poids maximales indiquées dans les instructions.</li><li>• Ne pas laisser les enfants se tenir sur les meubles, y grimper ou s'y suspendre.</li></ul>	Un assemblage, une utilisation ou un chargement incorrects peuvent entraîner l'instabilité, le basculement ou l'effondrement du produit.



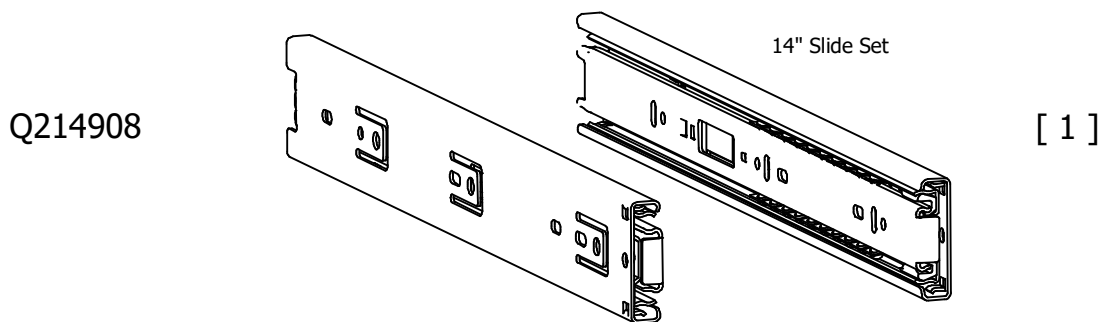
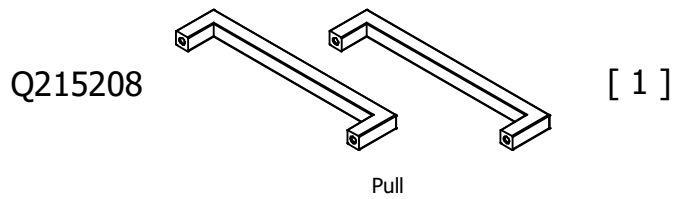
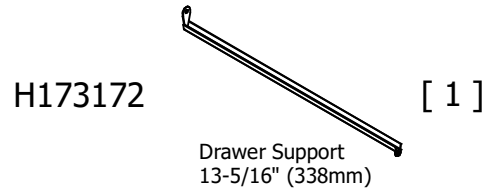
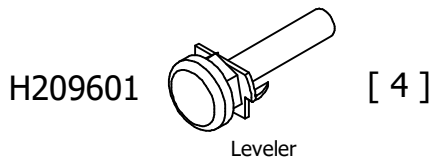
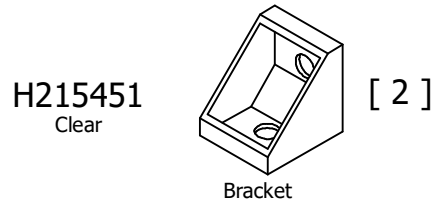
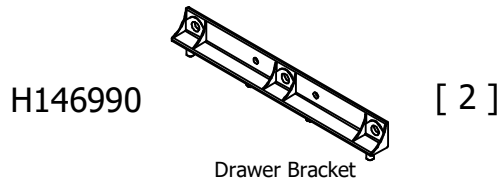
Have an assembly question or need a replacement part? Just call  
**1-800-950-4782**, we are here to help.

Fasteners are shown actual size.



Have an assembly question or need a replacement part? Just call **1-800-950-4782**, we are here to help.

Hardware not to scale.



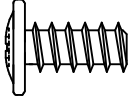
Have an assembly question or need a replacement part? Just call **1-800-950-4782**, we are here to help.

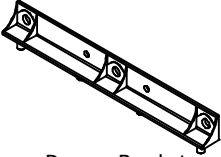


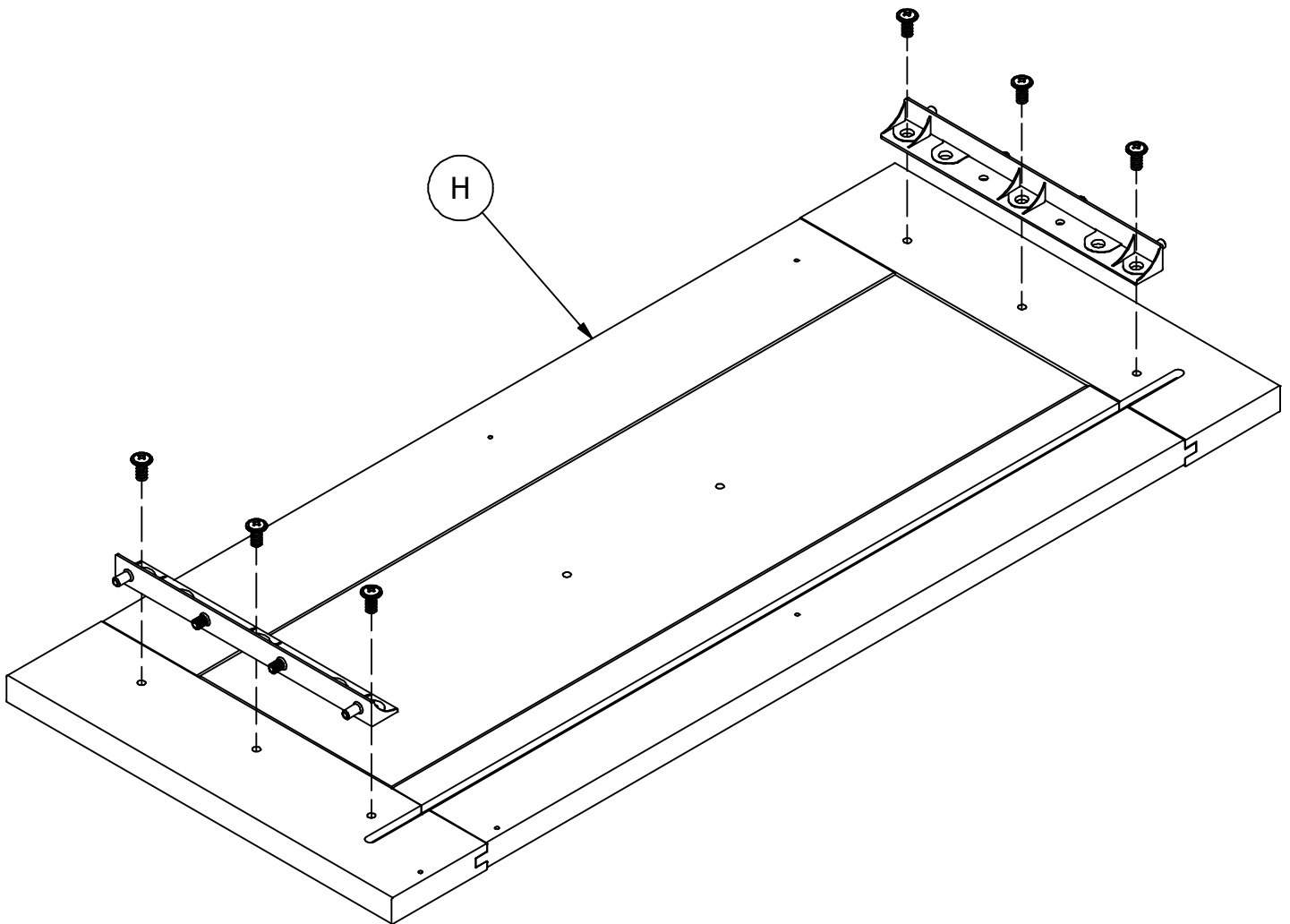
# STEP 1

## Prepare Panel

A215920

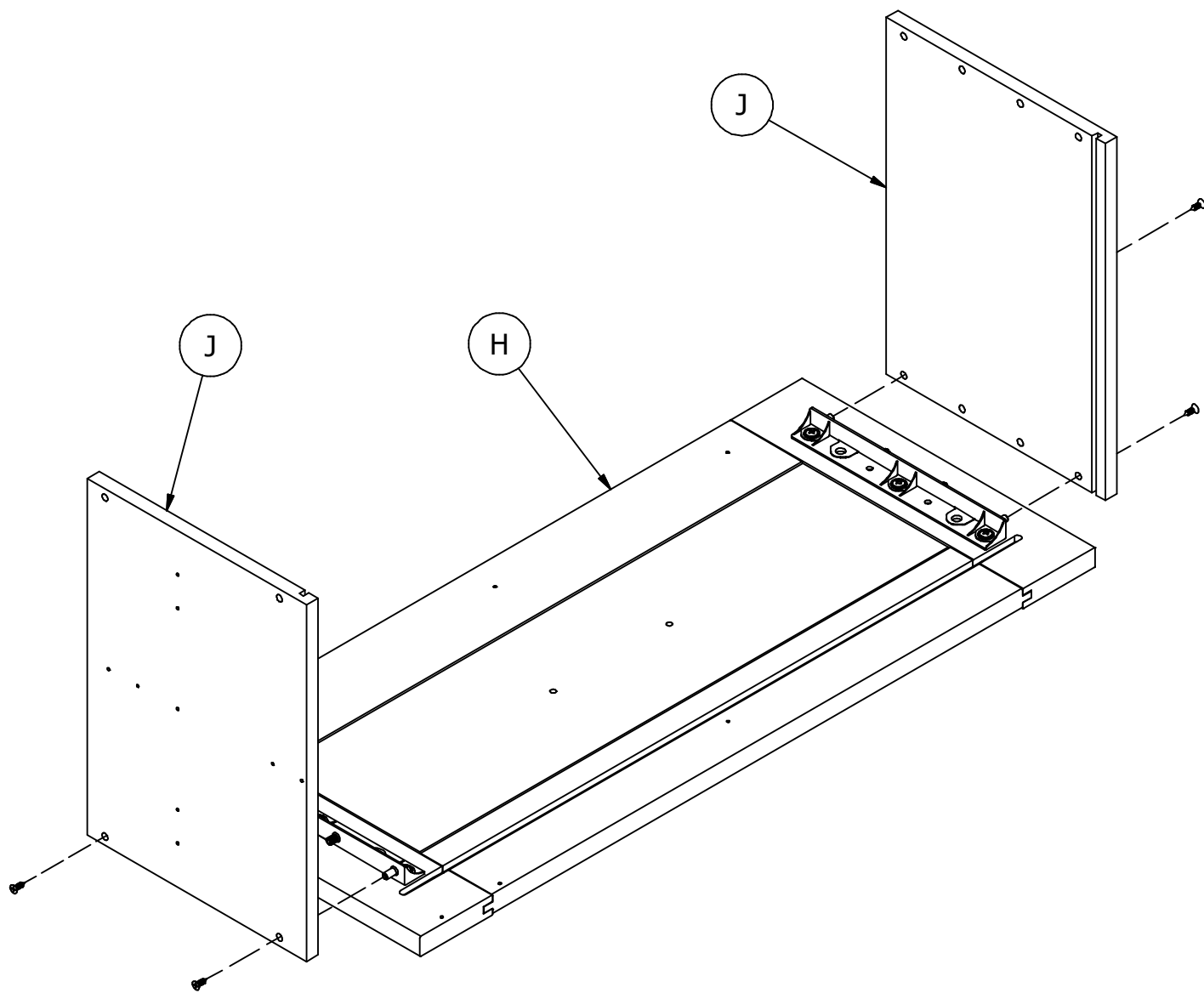
H146988  [ 6 ]  
Euro 13/14mm

H146990  [ 2 ]  
Drawer Bracket



Have an assembly question or need a replacement part? Just call  
**1-800-950-4782**, we are here to help.

H128624 [ 4 ]  
(Black) #8 x .5"



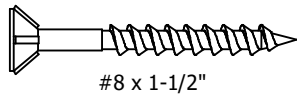
Have an assembly question or need a replacement part? Just call  
**1-800-950-4782**, we are here to help.

# STEP 3

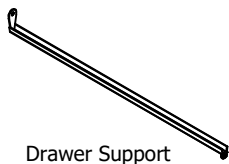
# Assemble Panels

A215920

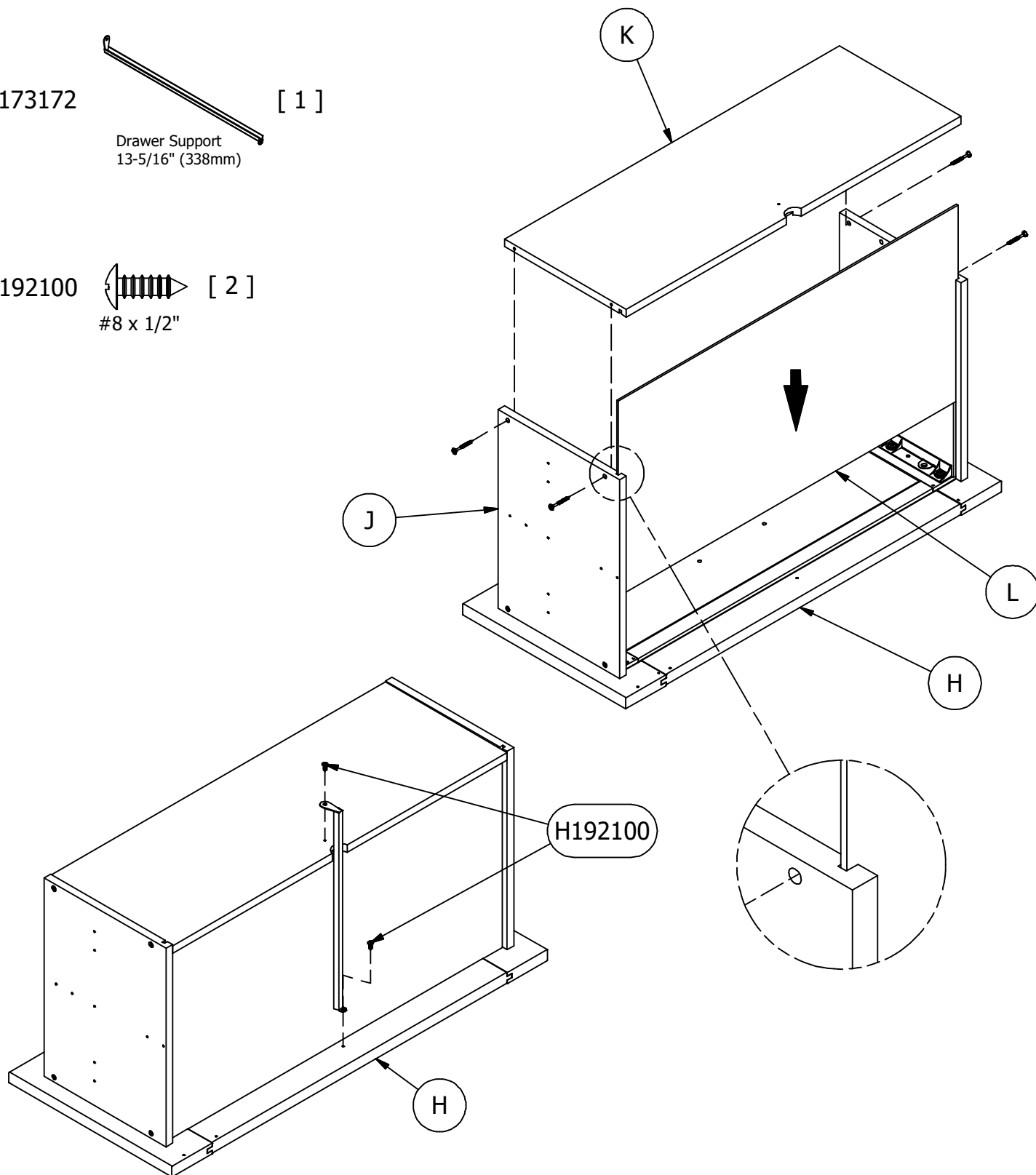
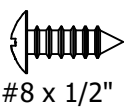
H150333 [ 4 ]  
#8 x 1-1/2"



H173172 [ 1 ]  
Drawer Support  
13-5/16" (338mm)



H192100 [ 2 ]  
#8 x 1/2"



Have an assembly question or need a replacement part? Just call  
**1-800-950-4782**, we are here to help.

Scan QR Code to Watch Video on:

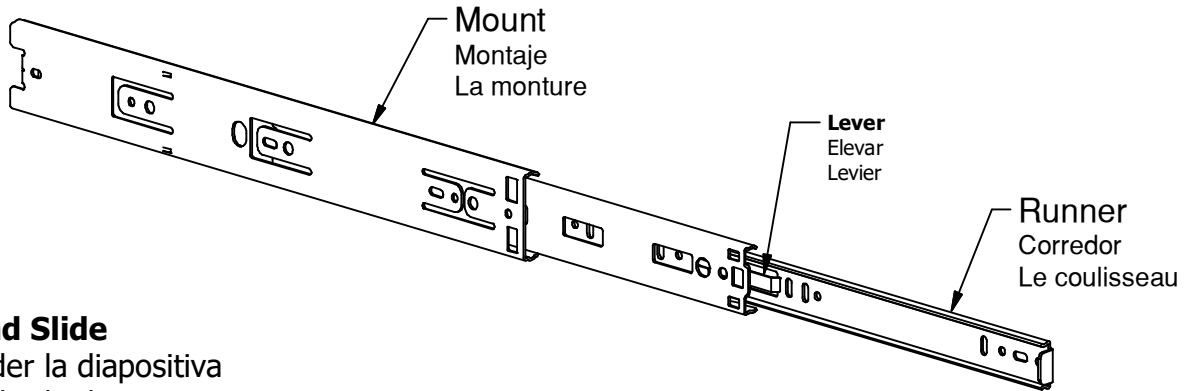


How to Separate and Install Drawer Slides

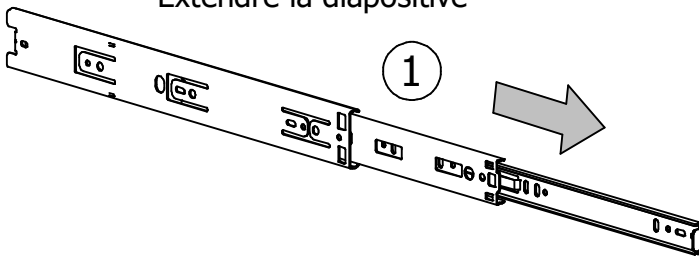
**Slides Must Be Separated Before Assembly. After Separated, Set Aside Until Needed for Assembly.**

Las diapositivas deben separarse antes del montaje. Después de la separación, déjelo a un lado hasta que sea necesario.

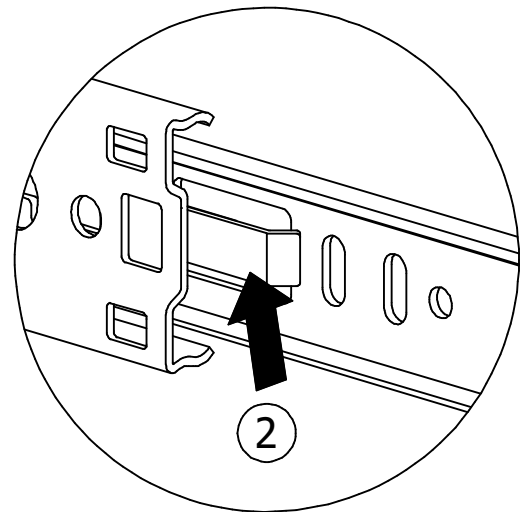
Les glissières doivent être séparées avant l'assemblage. Après la séparation, mettez de côté jusqu'au moment de l'assemblage.



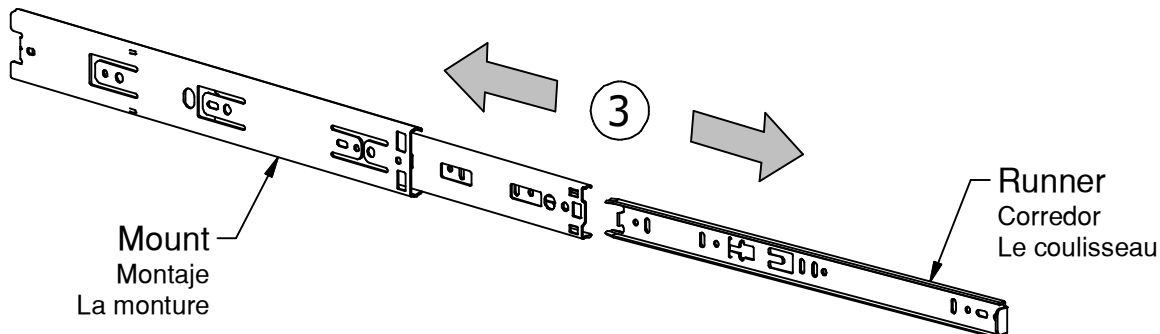
**STEP 1: Extend Slide**  
 Extender la diapositiva  
 Extendre la diapositive



**STEP 2: Push Button**  
 Presionar el botón  
 Bouton poussoir



**STEP 3: Remove Runner**  
 Quitar el corredor  
 Enlever le coureur



Have an assembly question or need a replacement part? Just call **1-800-950-4782**, we are here to help.

# STEP 5

# Attach Hardware

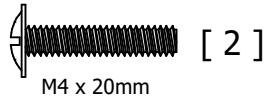
A215920

Scan QR Code to Watch Video on:

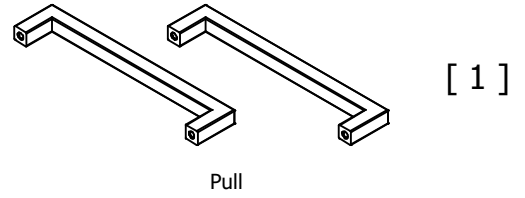


How to Separate and Install Drawer Slides

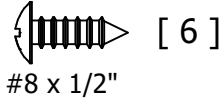
H108982  
(Silver)



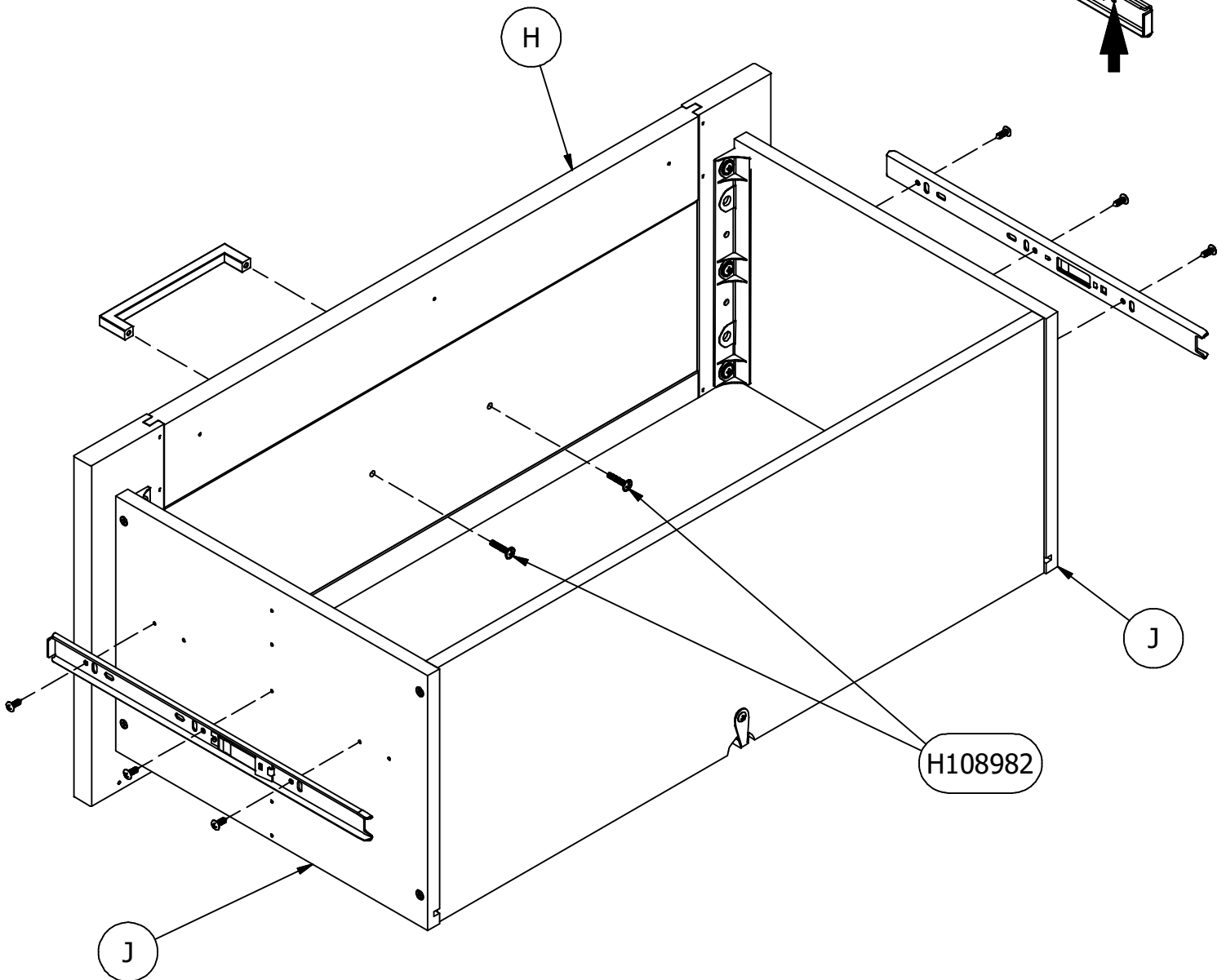
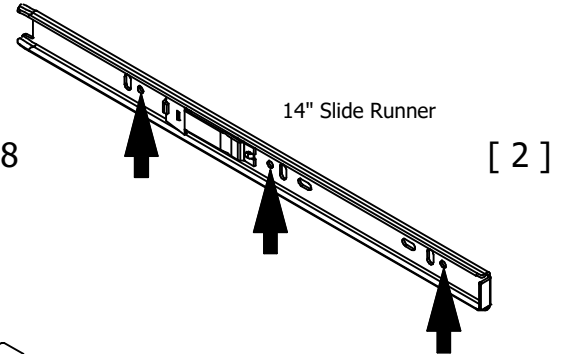
Q215208



H192100 [ 6 ]  
#8 x 1/2"



Q214908



Have an assembly question or need a replacement part? Just call  
**1-800-950-4782**, we are here to help.

# STEP 6

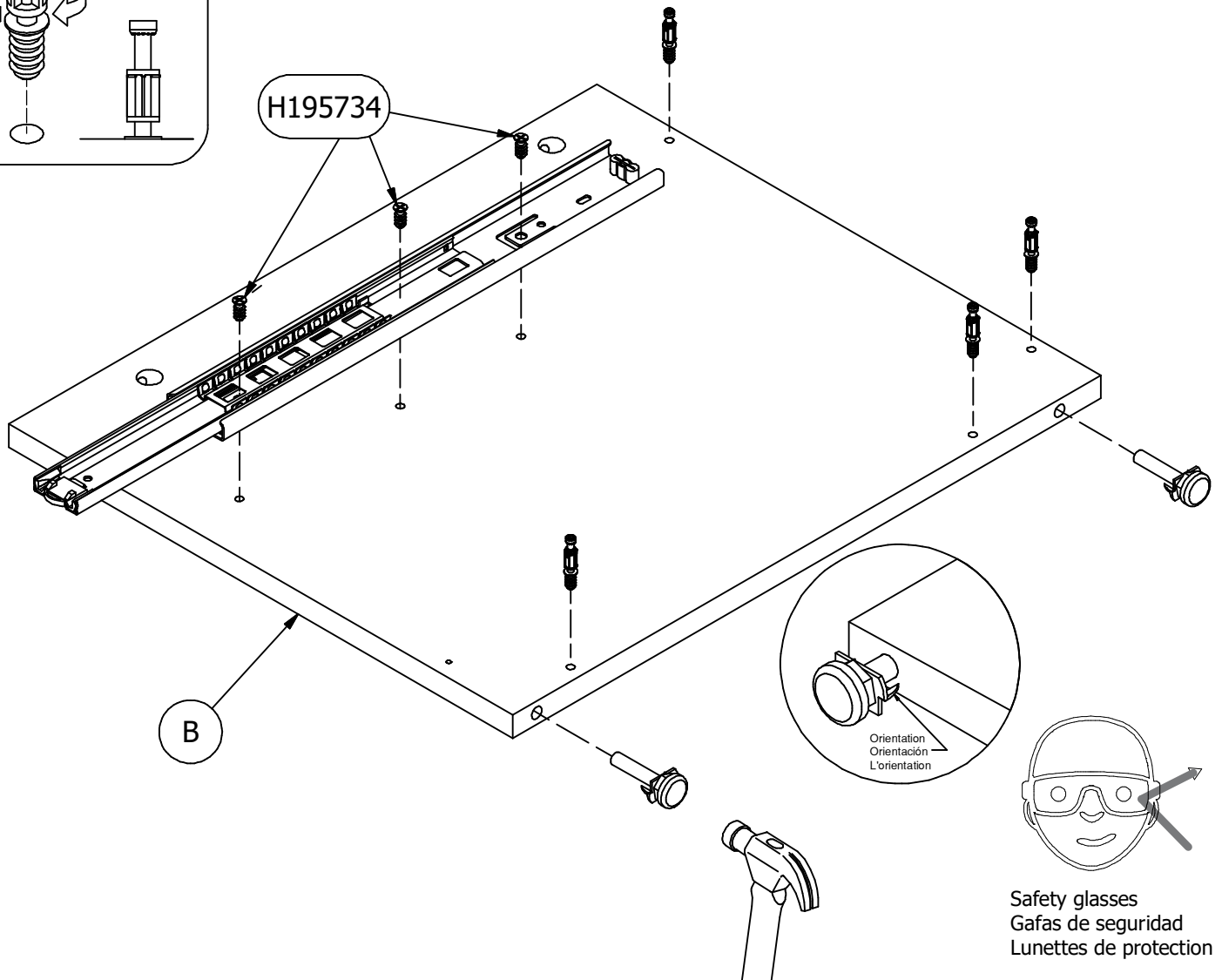
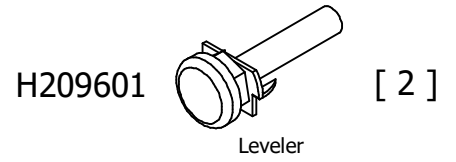
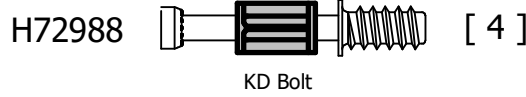
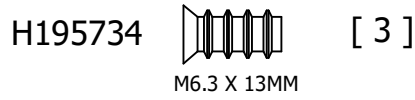
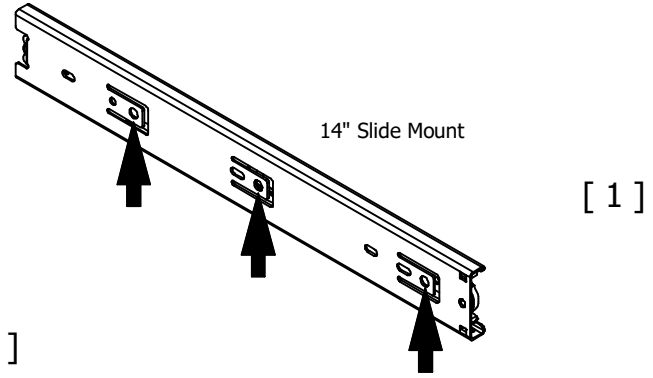
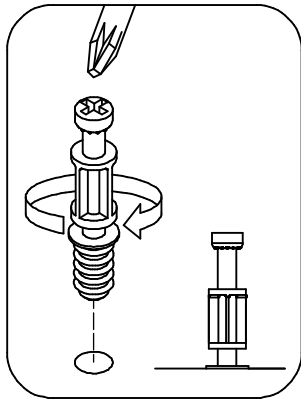
# Prepare Panel

A215920

Scan QR Code to Watch Video on:



How to Separate and Install Drawer Slides



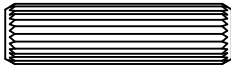
Have an assembly question or need a replacement part? Just call **1-800-950-4782**, we are here to help.

# STEP 7

## Prepare Panel

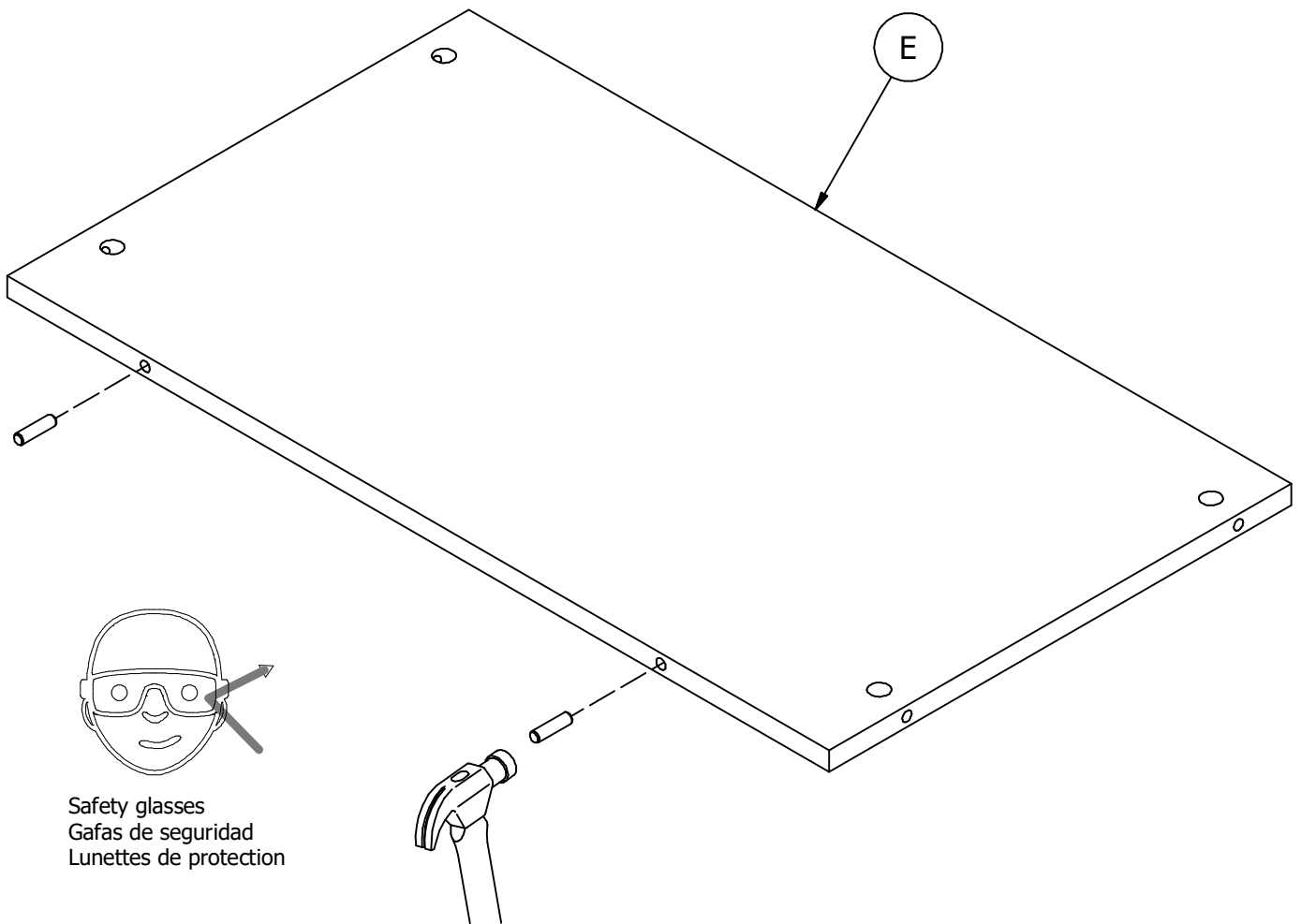
A215920

H38169



Wood Dowel 8 x 30

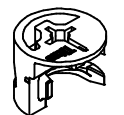
[ 2 ]



Safety glasses  
Gafas de seguridad  
Lunettes de protection

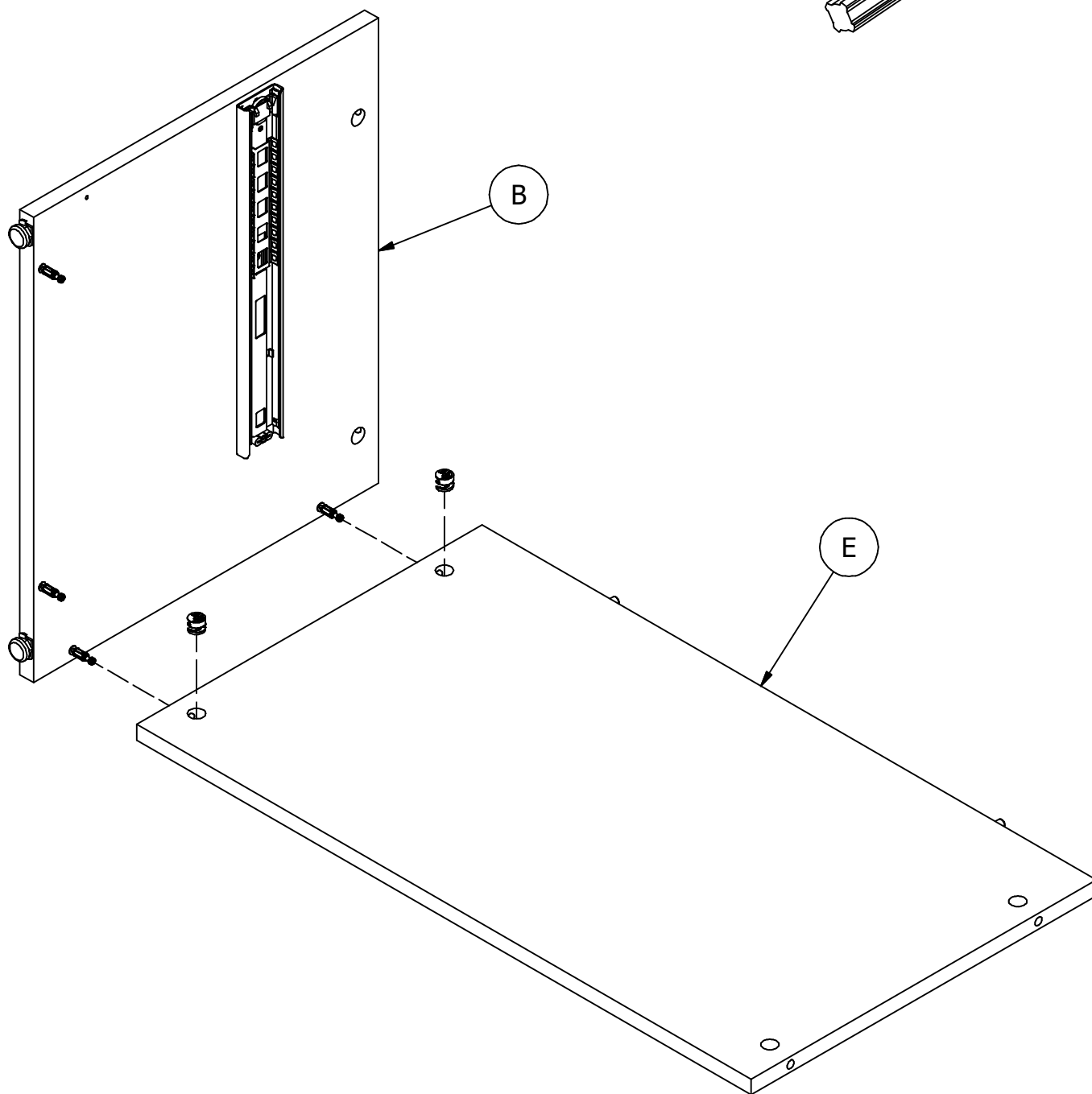
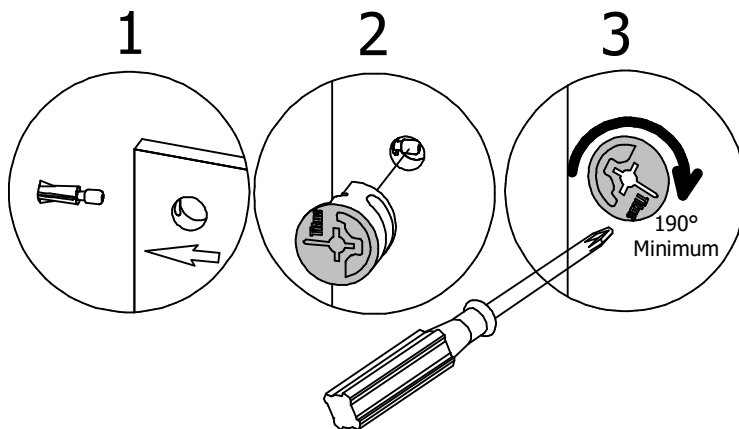
Have an assembly question or need a replacement part? Just call  
**1-800-950-4782**, we are here to help.

H181468US



KD Cam3000

[ 2 ]



Have an assembly question or need a replacement part? Just call  
**1-800-950-4782**, we are here to help.



H171556



Quickfit TL4

[ 2 ]

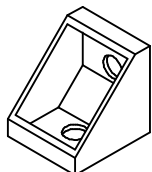
H192100



#8 x 1/2"

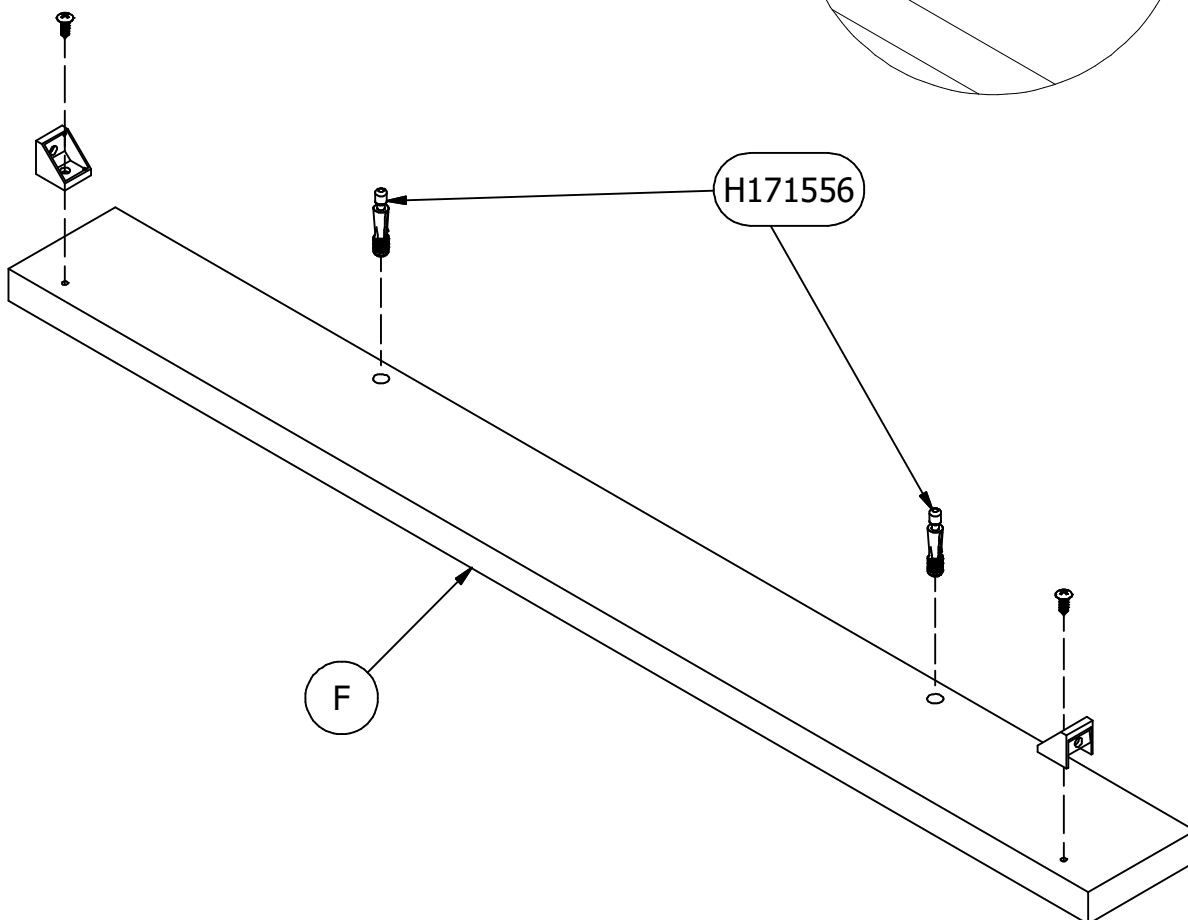
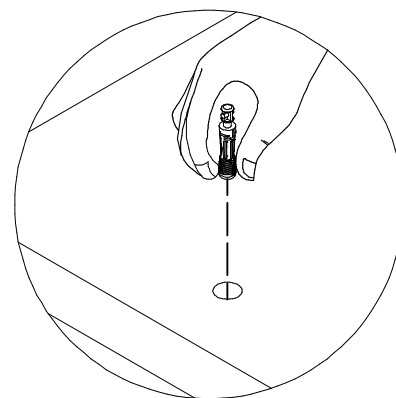
[ 2 ]

H215451  
Clear



Bracket

[ 2 ]



Have an assembly question or need a replacement part? Just call  
**1-800-950-4782**, we are here to help.

Scan QR Code to Watch Video on:

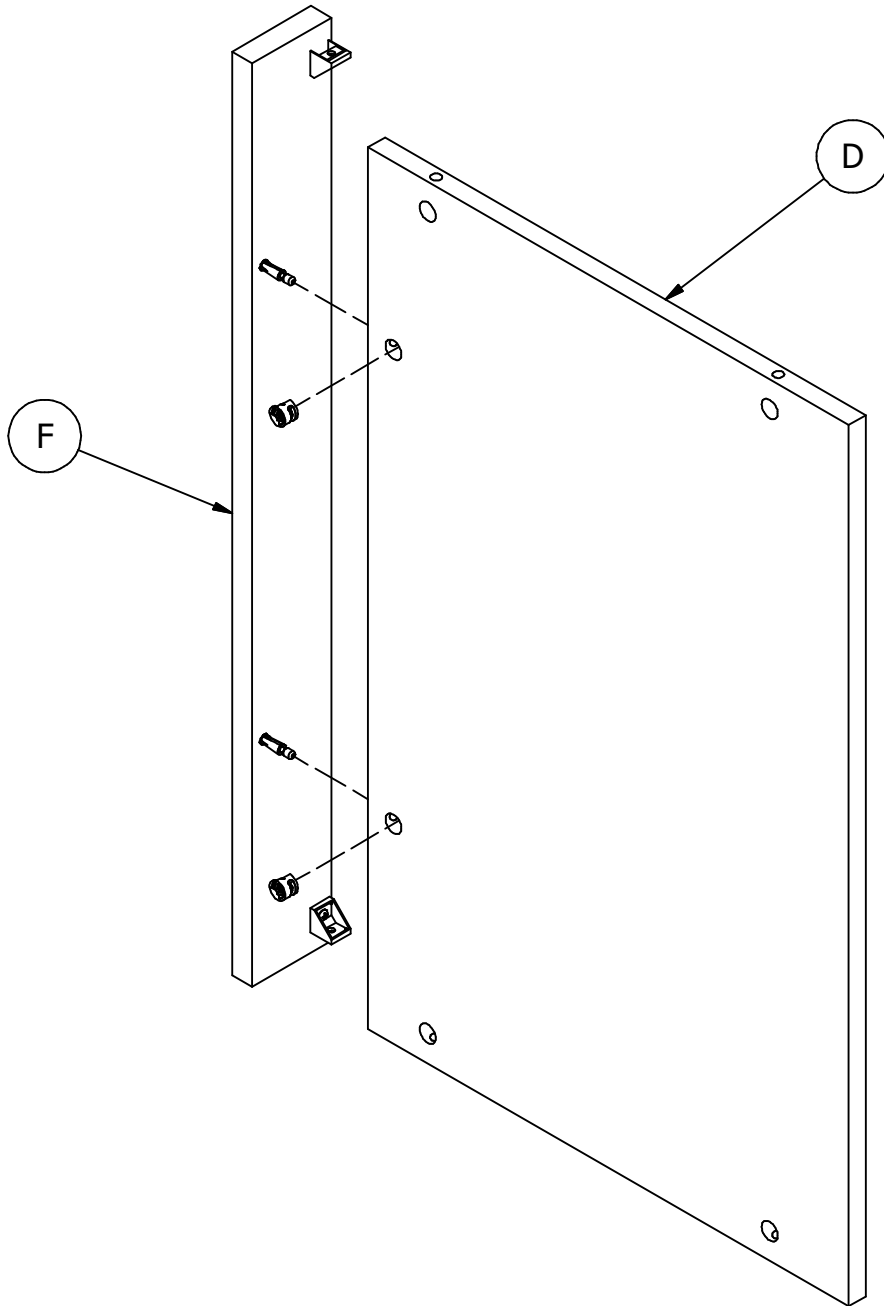
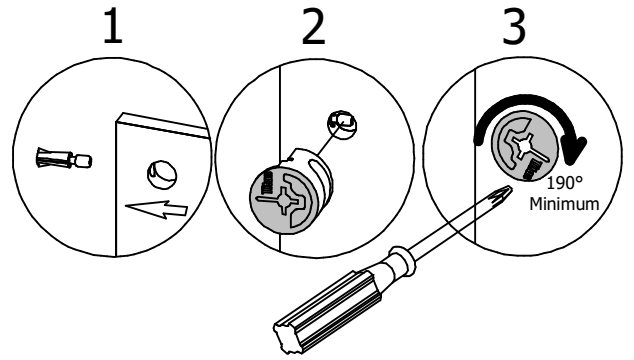


How to Tighten KD Cams

H181468US



[ 2 ]



Have an assembly question or need a replacement part? Just call **1-800-950-4782**, we are here to help.

# STEP 11

# Assemble Panels

A215920

Scan QR Code to Watch Video on:



How to Tighten KD Cams

H181468US



[ 2 ]

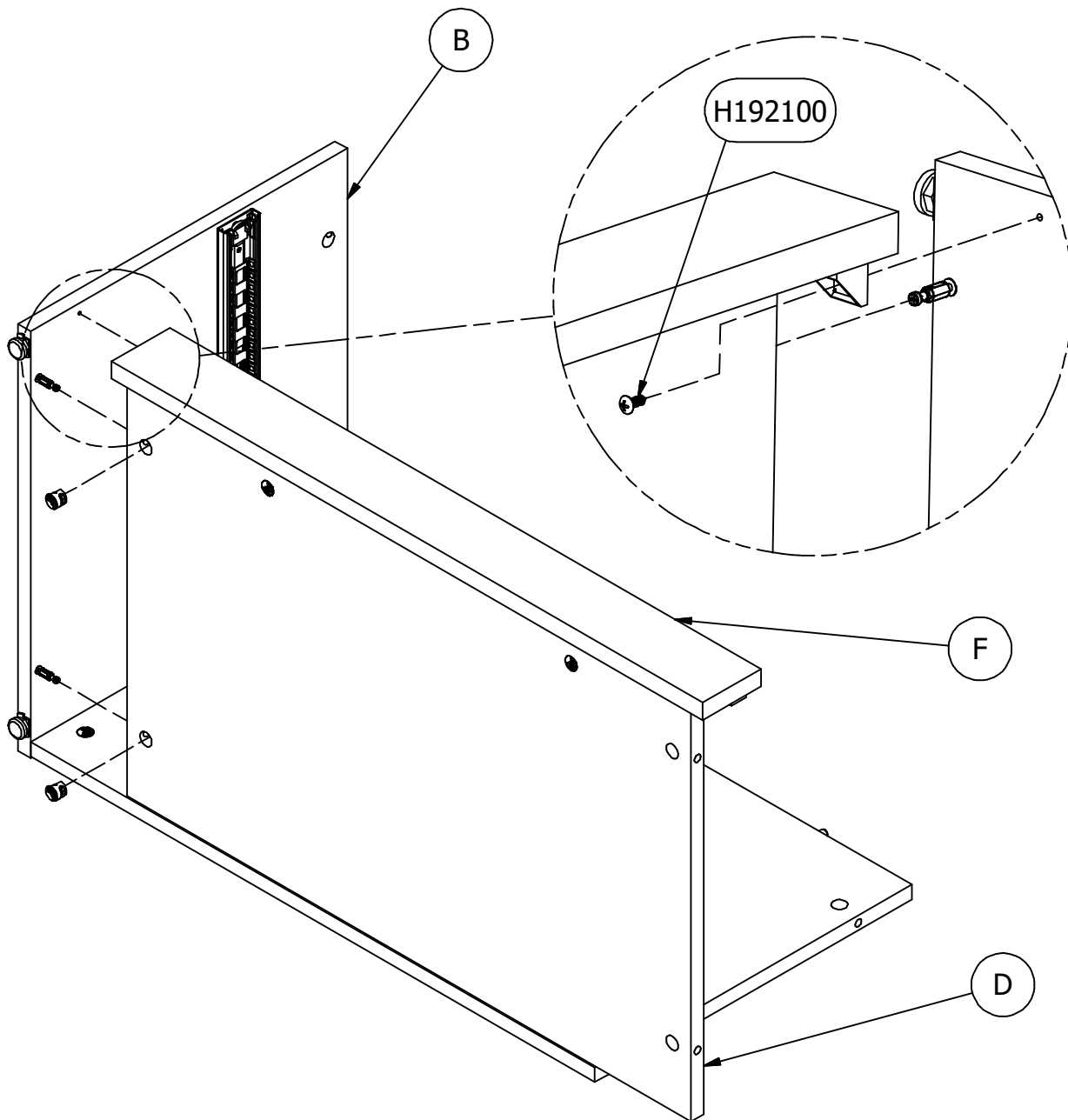
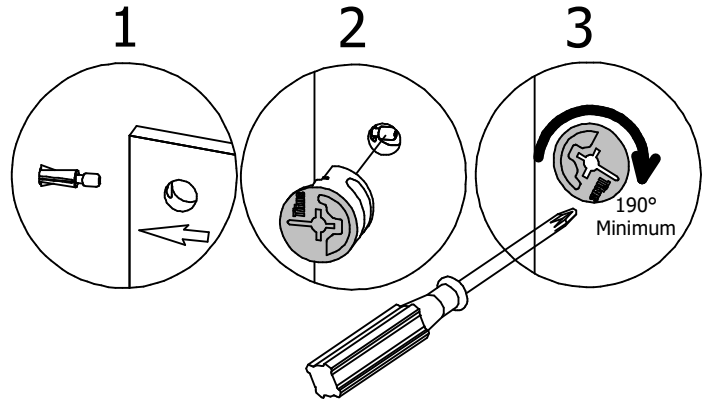
KD Cam3000

H192100



[ 1 ]

#8 x 1/2"



Have an assembly question or need a replacement part? Just call **1-800-950-4782**, we are here to help.

# STEP 12

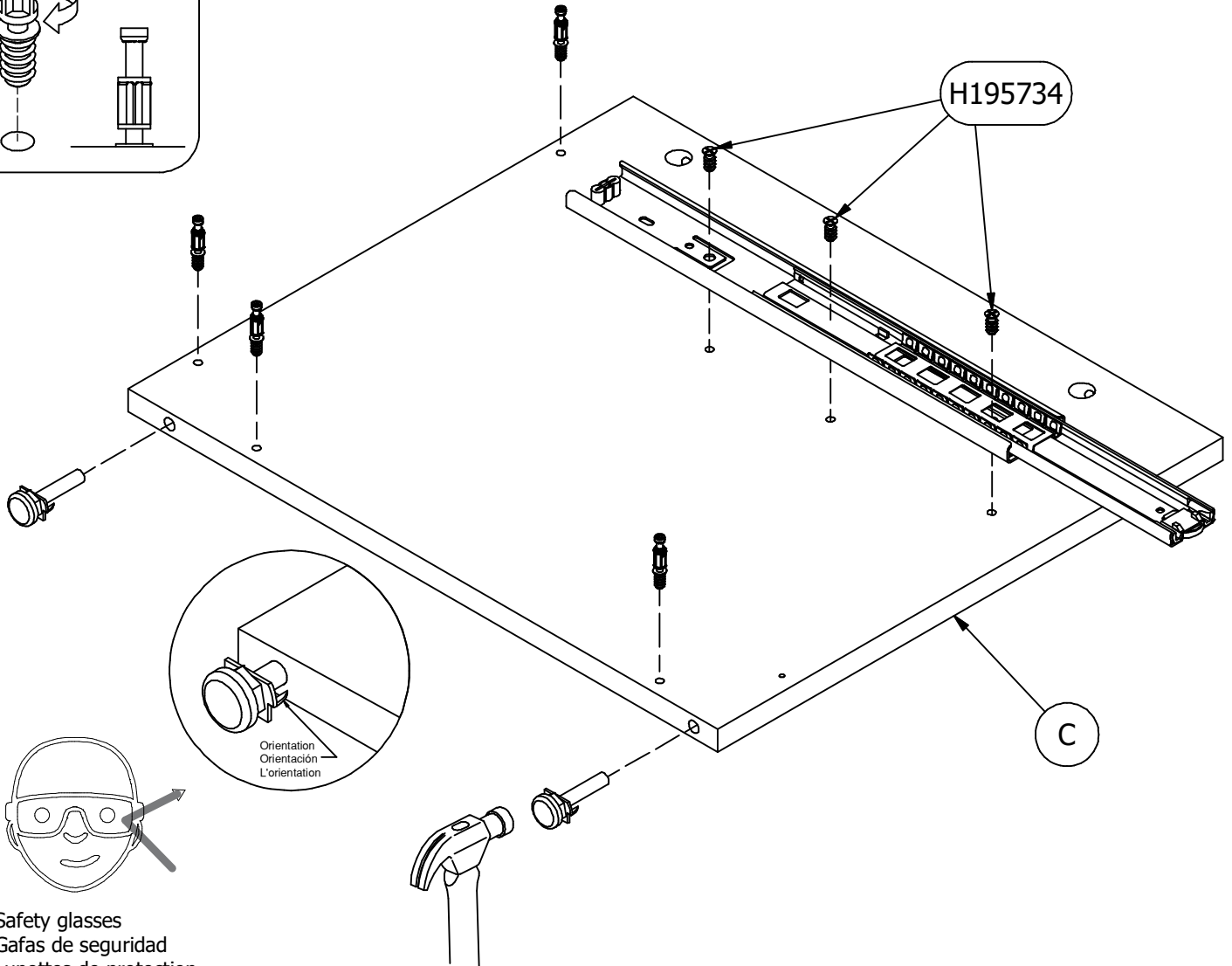
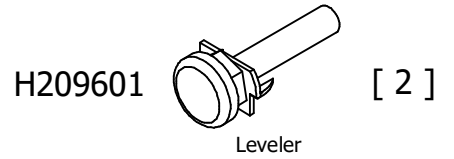
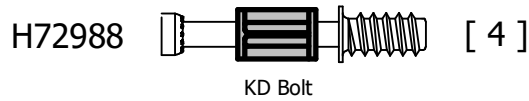
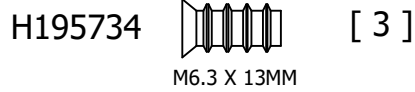
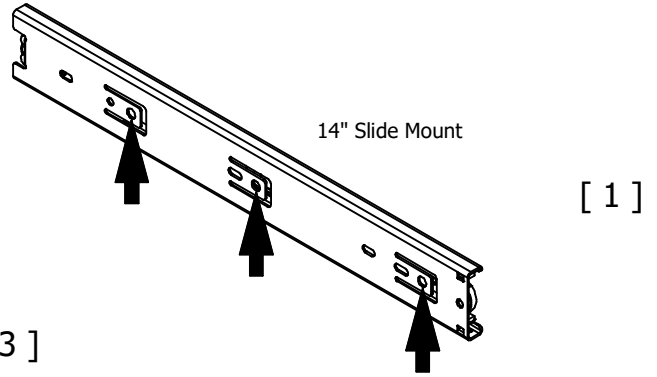
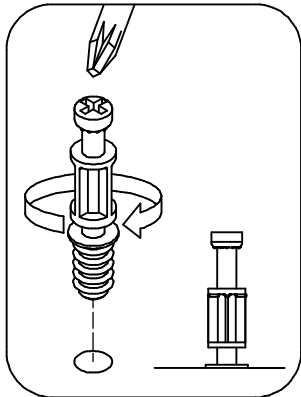
# Prepare Panel

A215920

Scan QR Code to Watch Video on:



How to Separate and Install Drawer Slides



Have an assembly question or need a replacement part? Just call **1-800-950-4782**, we are here to help.

Scan QR Code to Watch Video on:



How to Tighten KD Cams

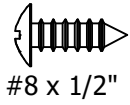
H181468US



[ 4 ]

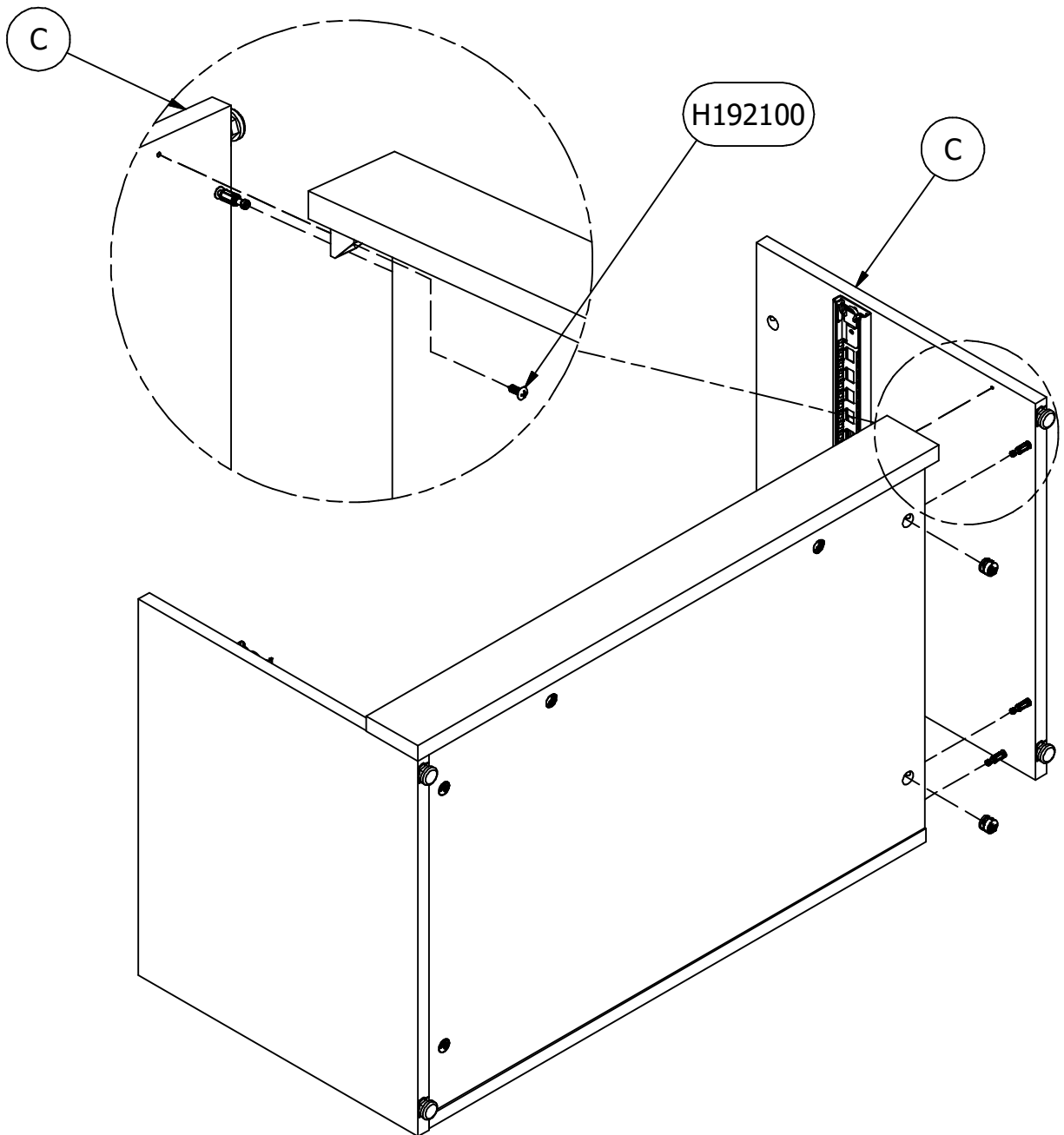
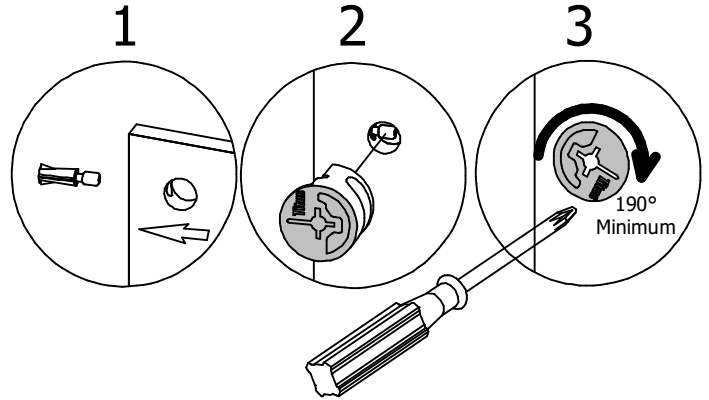
KD Cam3000

H192100



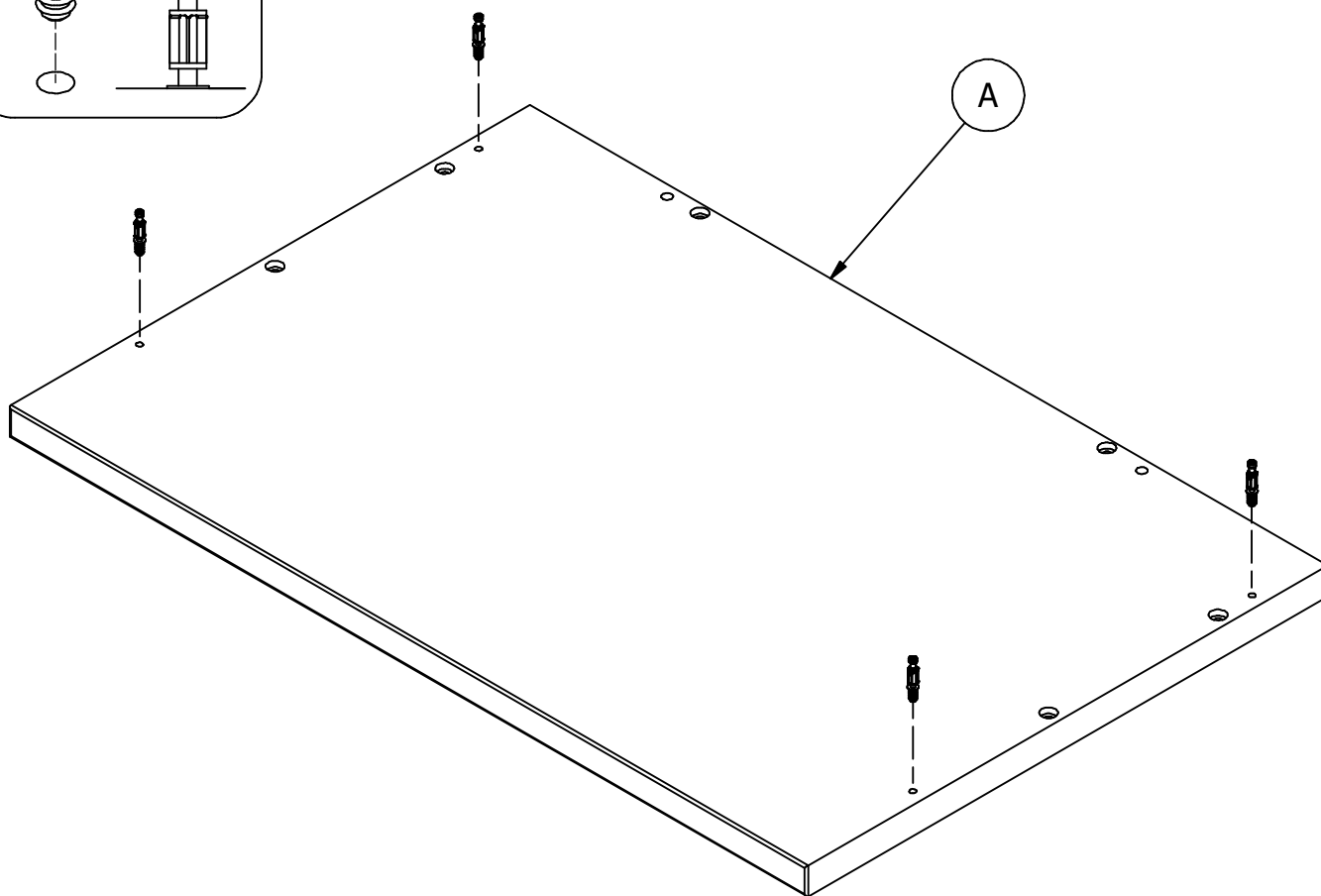
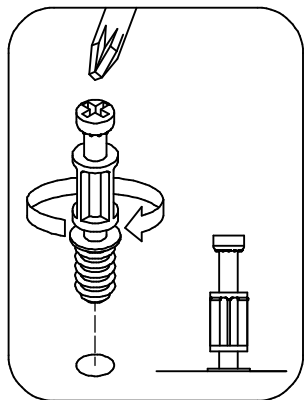
[ 1 ]

#8 x 1/2"



Have an assembly question or need a replacement part? Just call **1-800-950-4782**, we are here to help.

H72988 [ 4 ]  
KD Bolt



Attention  
Atención  
Attention

Assemble ( HHH230xx ) before proceeding.

Montar ( HHH230xx ) antes de proceder.

Assembler ( HHH230xx ) avant de procéder.

Have an assembly question or need a replacement part? Just call  
**1-800-950-4782**, we are here to help.

Scan QR Code to Watch Video on:

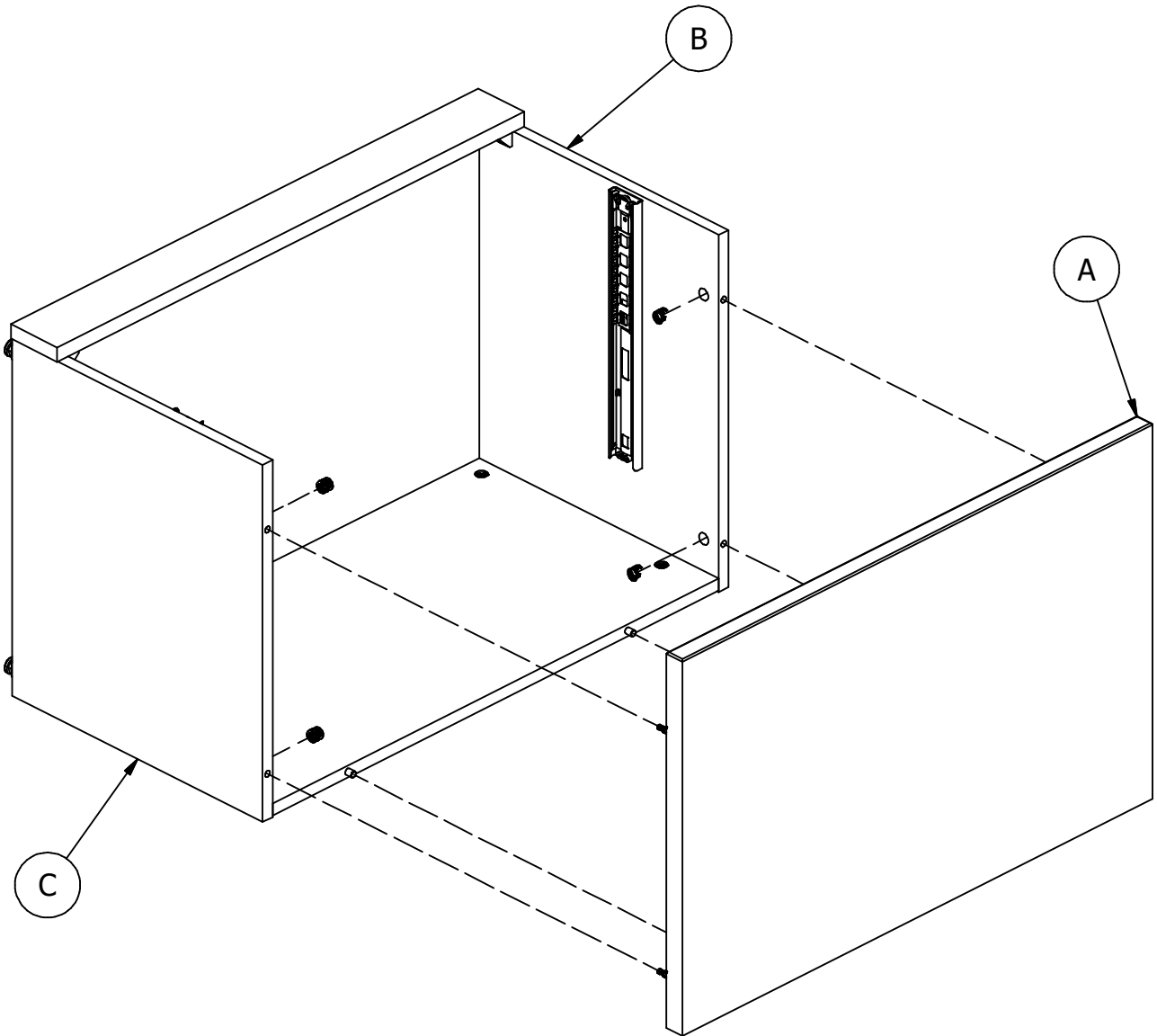
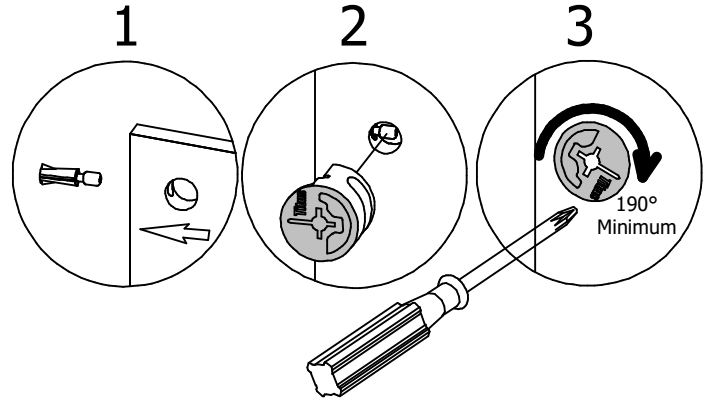


How to Tighten KD Cams

H181468US



[ 4 ]

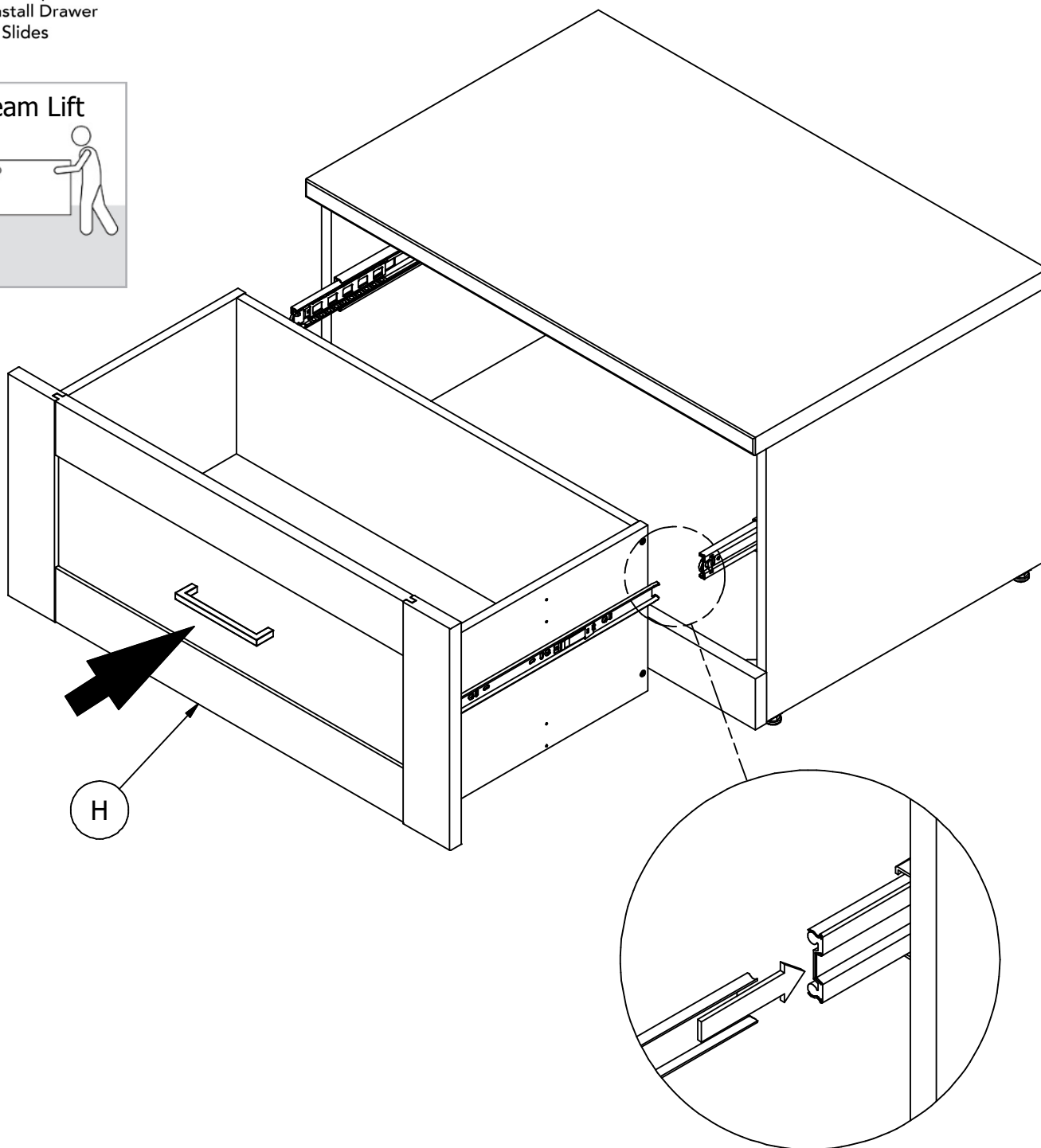
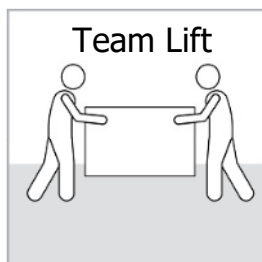


Have an assembly question or need a replacement part? Just call **1-800-950-4782**, we are here to help.

Scan QR Code to  
Watch Video on:



How to Separate  
and Install Drawer  
Slides



Have an assembly question or need a replacement part? Just call  
**1-800-950-4782**, we are here to help.

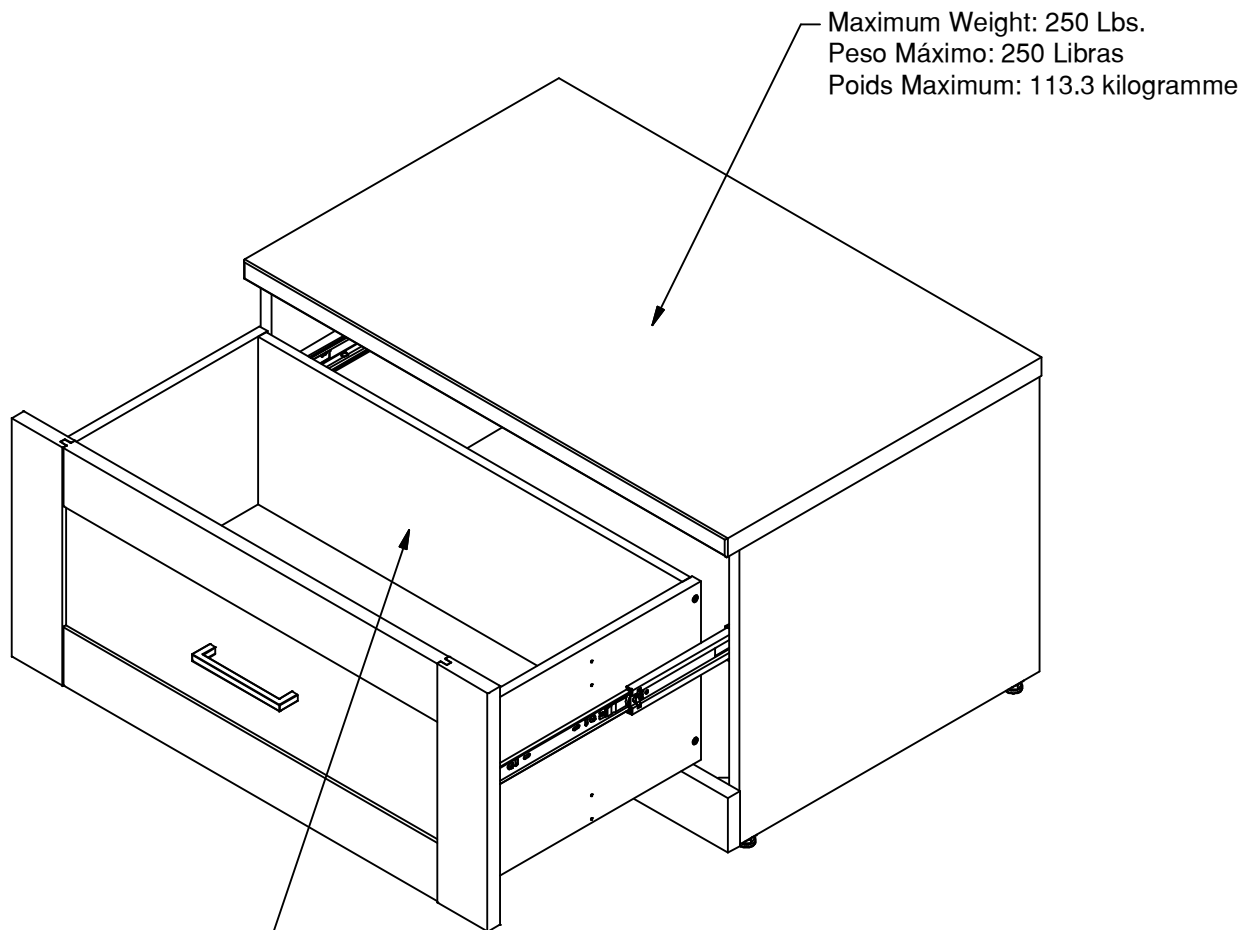


Scan QR Code to  
Watch Video on:



How to Clean  
the Surface

Gently clean surfaces with a damp sponge eraser.



Maximum Weight: 250 Lbs.  
Peso Máximo: 250 Libras  
Poids Maximum: 113.3 kilogramme

Maximum Weight: 50 Lbs.  
Peso Máximo: 50 Libras  
Poids Maximum: 22.7 kilogramme

Congratulations! You are all done. If you have any questions or concerns, please call.

Have an assembly question or need a replacement part? Just call  
**1-800-950-4782**, we are here to help.

HHS430WH		
LABEL CODE	PART NUMBER	QTY
A	W215914	1
B	W215915	1
C	W215916	1
D	W215917	1
E	W215918	1
F	W215919	1
H	S215543	1
J	W195654	2
K	W195675	1
L	W182006	1

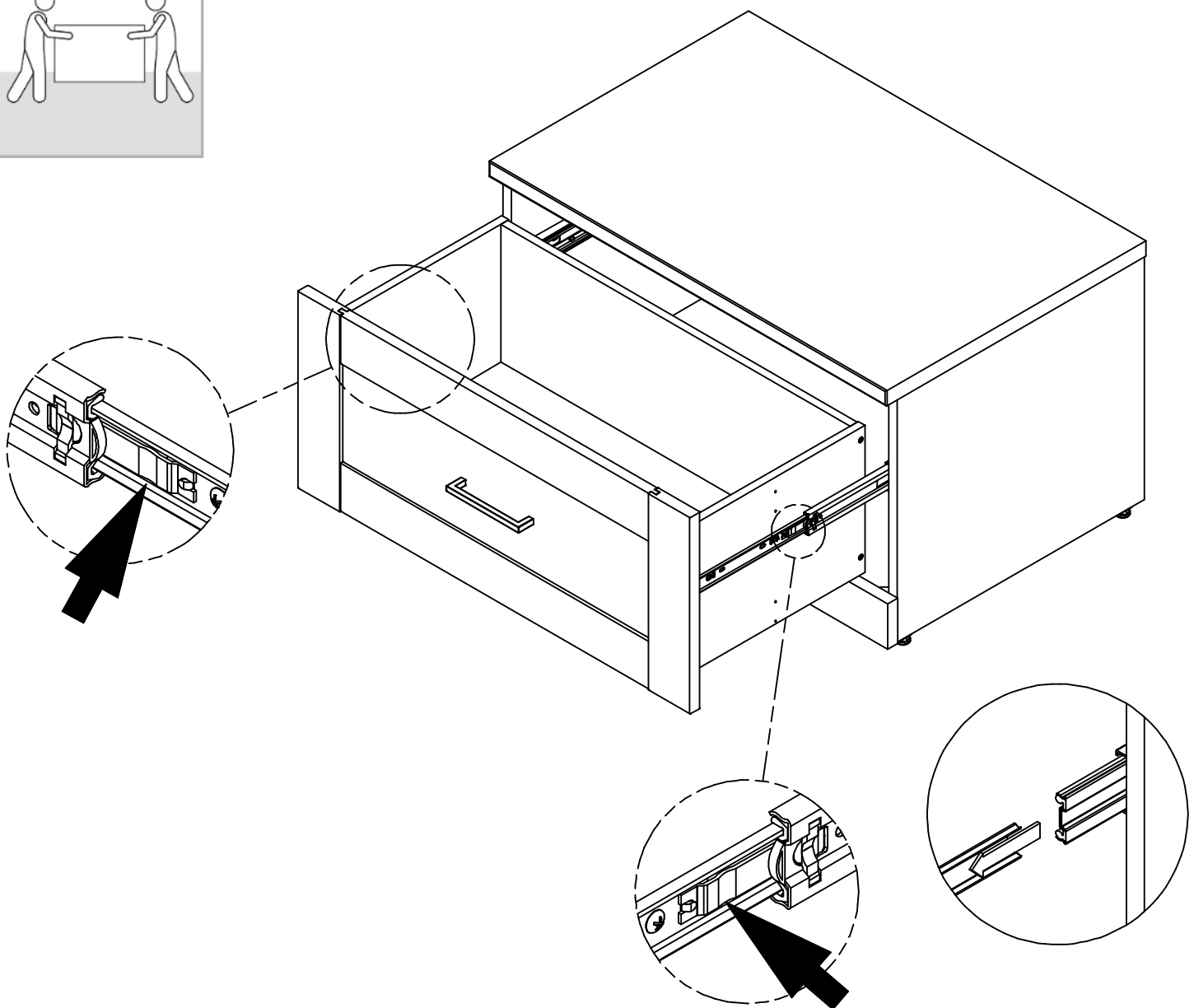
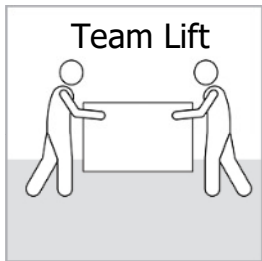
Have an assembly question or need a replacement part? Just call  
**1-800-950-4782**, we are here to help.

Scan QR Code to  
Watch Video on:



How to Separate  
and Install Drawer  
Slides

Drawer Removal (if required)  
Quitado de Gaveta (si es necesario)  
retrait du tiroir (si necessaire)



Have an assembly question or need a replacement part? Just call  
**1-800-950-4782**, we are here to help.