

# ASSEMBLY INSTRUCTIONS

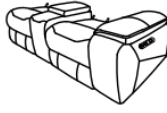





## TEDDY COLLECTION

ITEM#: U5427-R25P2

DESCRIPTION : TEDDY RAF CONSOLE LOVESEAT  
W/ONE PWR HR & FR

Thank you for purchasing this quality product. Be sure to check all packing materials carefully for small parts, which may have come loose during shipment. Identify and count all items and compare with the parts list shown below. It is recommended to have two people during assembling and to remove the back and base of the furniture out from the box.

**Please follow the drawings below to assemble the item**

PARTS LIST			
NO.	DESCRIPTION	SKETCH	QTY
A	Seat		1PC
B	Left Side Facing (LSF) Backrest		1PC
C	Console backrest		1PC
D	Right Side Facing (RSF) Backrest		1PC
E	Right Side Facing (RSF) Wing		1PC
F	Power Cable 29V		1PC

All images shown are for illustration purpose only.  
Actual product may vary due to product enhancement.

# ASSEMBLY INSTRUCTIONS

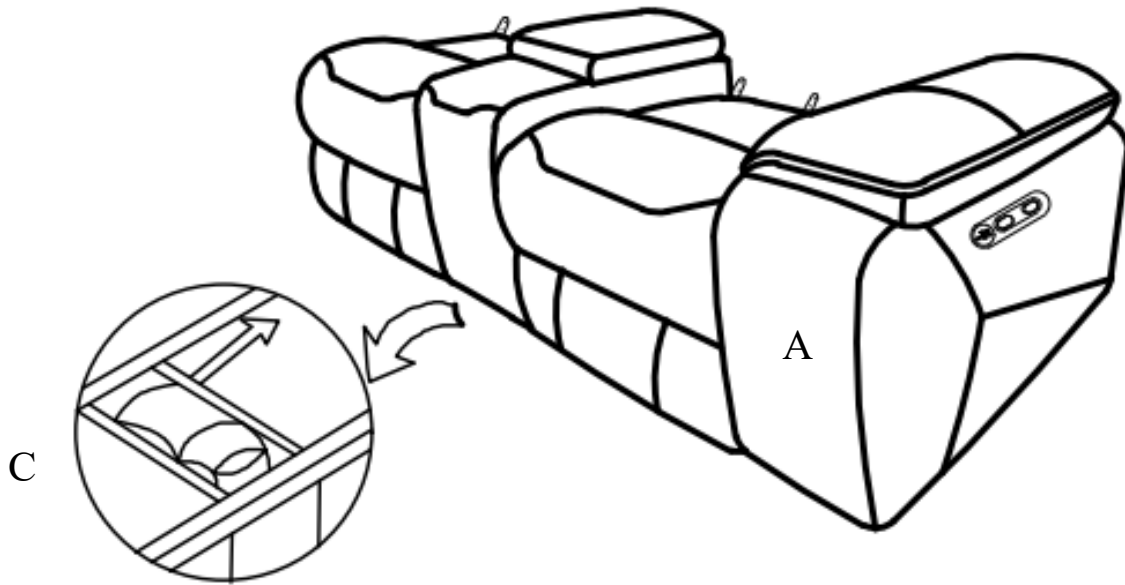
## TEDDY COLLECTION

ITEM#: U5427-R25P2

DESCRIPTION : TEDDY RAF CONSOLE LOVESEAT  
W/ONE PWR HR & FR

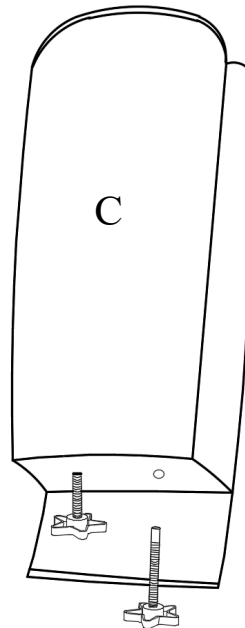
### Step 1:

Locate the console backrest (C) at the bottom of seat (A).



### Step 2:

Unscrew the knob screws from the console backrest (C).



All images shown are for illustration purpose only.  
Actual product may vary due to product enhancement.

# ASSEMBLY INSTRUCTIONS

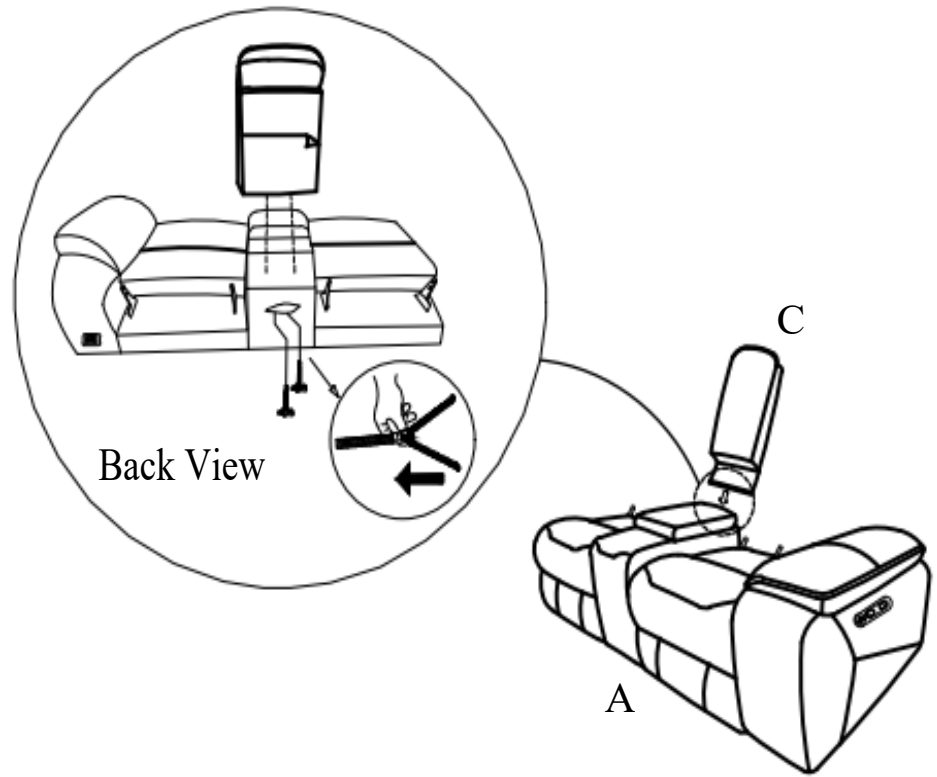
## TEDDY COLLECTION

ITEM#: U5427-R25P2

DESCRIPTION : TEDDY RAF CONSOLE LOVESEAT W/ONE PWR HR & FR

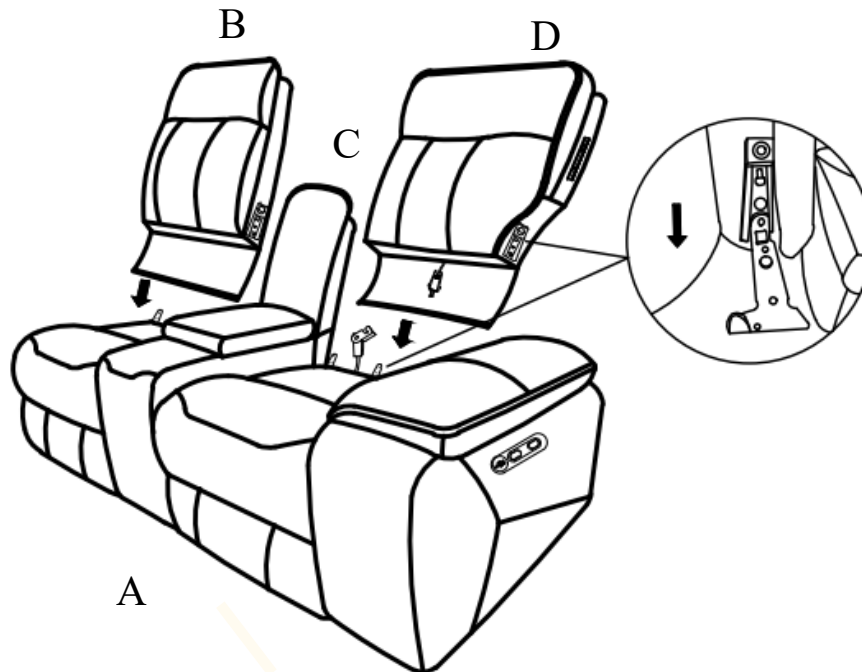
### Step 3:

Open the zipper at the back of the console of seat (A) and attach the console backrest (C) to the correct position by turning the knob screws from inside the zipper counterclockwise until the console backrest (C) is secured in place.



### Step 4:

Insert the LSF backrest (B) and the RSF backrest (D) to the seat (A). Make sure the backrests are secured in position.



All images shown are for illustration purpose only.  
Actual product may vary due to product enhancement.

# ASSEMBLY INSTRUCTIONS

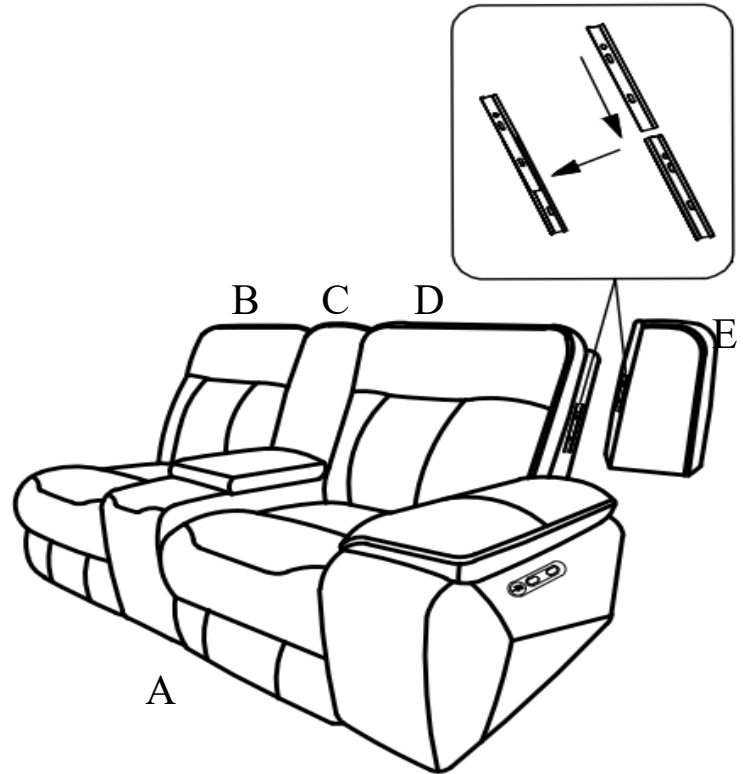
## TEDDY COLLECTION

ITEM#: U5427-R25P2

DESCRIPTION : TEDDY RAF CONSOLE LOVESEAT  
W/ONE PWR HR & FR

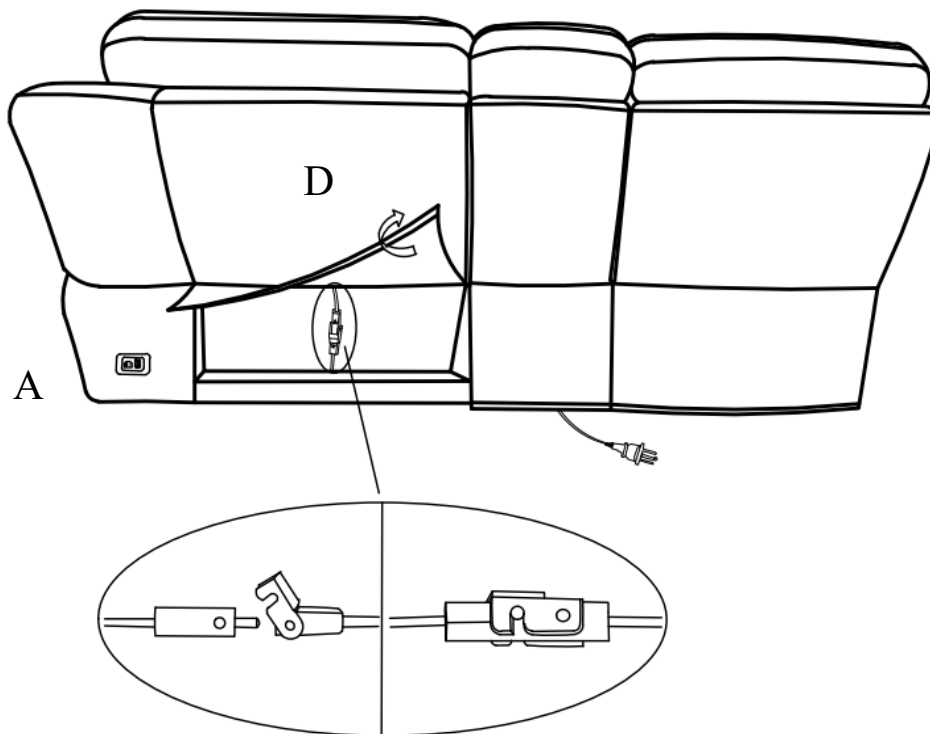
### Step 5:

Insert the RSF wing (E) to the RSF backrest (D).  
Make sure the wings are secured in position.



### Step 6:

Connect the cable on the backrests (D) to the cables on the seat (A).



All images shown are for illustration purpose only.  
Actual product may vary due to product enhancement.

# ASSEMBLY INSTRUCTIONS

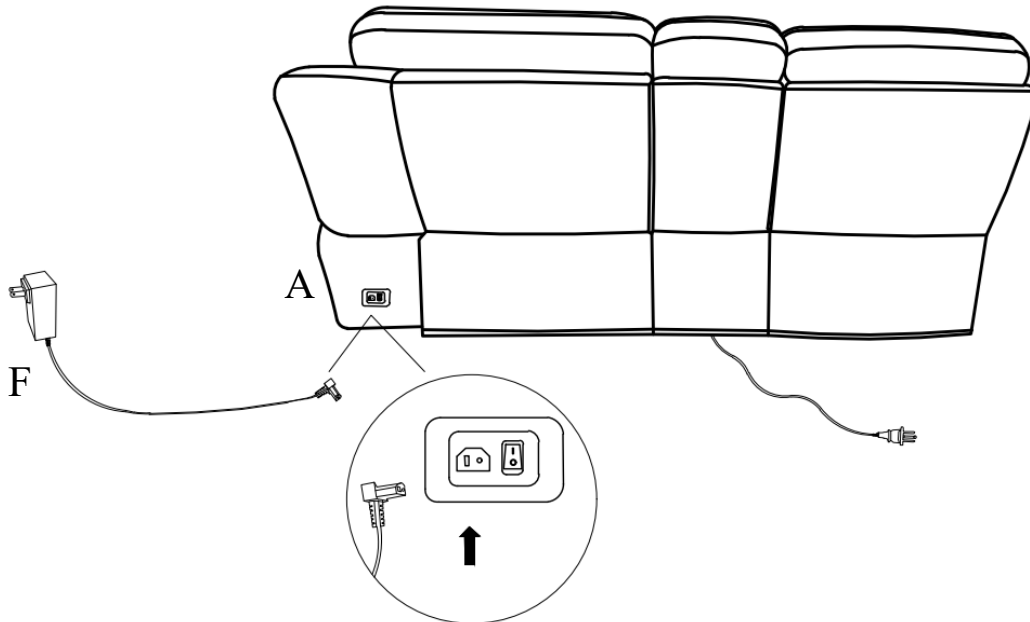
## TEDDY COLLECTION

ITEM#: U5427-R25P2

DESCRIPTION : TEDDY RAF CONSOLE LOVESEAT  
W/ONE PWR HR & FR

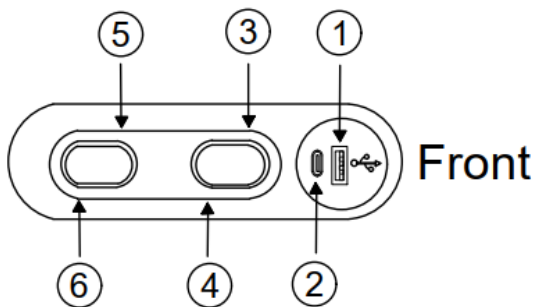
### Step 7:

Locate the power cord on the back of the seat (A). Connect the 29 V Power Cord (F) to the power cord on the seat (A). Next, connect the wall plug the console of seat (A) to the power source.

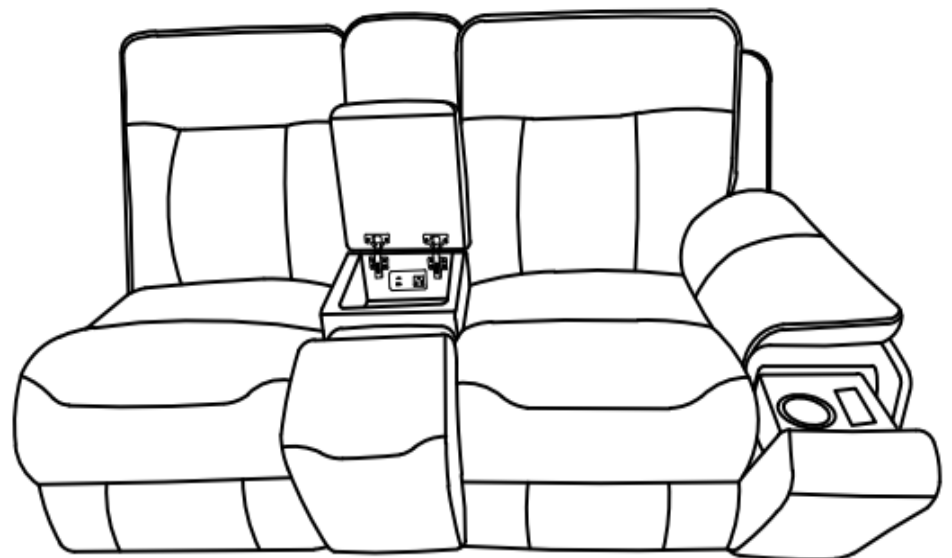


### Step 8:

Connect the power and open/close the footrest and headrest by pressing the buttons.



- ① USB interface
- ② Type-C interface
- ③ Mechanism Open
- ④ Mechanism Close
- ⑤ Headrest Open
- ⑥ Headrest Close



All images shown are for illustration purpose only.  
Actual product may vary due to product enhancement.