

# HCO-6080R

1080p Analog HD IR Bullet Camera

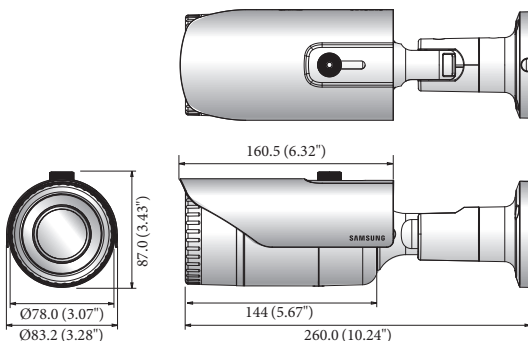


## Key Features

- Full HD resolution
- 0.11Lux@F1.4(Color), 0Lux(B/W : IR LED on)
- 2.8~12mm(4.3x) motorized V/F lens
- Day & Night(ICR), WDR(120dB)
- SSNRIV, Motion detection
- IR viewable length : 30m, IP66, IK10, Dual power
- Transmission distance Max.500m
- Easy installation (Plug & play), Dual power, RS-485

## Dimensions

Unit : mm (inch)



	HCO-6080RN	HCO-6080RP
<b>VIDEO</b>		
Imaging Device	1/2.8" 2M CMOS	
Total Pixels	2,000(H) x 1,121(V) 2.24M pixels	
Effective Pixels	1,984(H) x 1,105(V) 2.19M pixels	
Scanning System	Progressive Scan	
Min. Illumination	Color : 0.11Lux (F1.4, 1/30sec) B/W : 0Lux(IR LED on)	
S / N Ratio	52dB (AGC off, Weight on)	
Video Output	BNC(AHD / TVI / CVI / CVBS Selectable) DIP connector type(for installation)	
Resolution	1920 x 1080	
Max. Framerate	30fps @1080p, 30fps@720p	
<b>LENS TYPE</b>		
Focal Length (Zoom Ratio)	2.8 ~ 12mm (4.3x) motorized varifocal	
Max. Aperture Ratio	F1.4	
Angular Field of View	H : 103.8°(Wide) ~ 32.4°(Tele) / V : 53.7°(Wide) ~ 18.4°(Tele) D : 121.9°(Wide) ~ 37.1°(Tele)	
Min. Object Distance	0.5m (1.64ft)	
Focus Control	Simple focus(Motorized V/F) / Manual	
Lens Type	DC Auto Iris	
Mount Type	Board-in type	
<b>OPERATIONAL</b>		
Viewable length	30m (98.43ft)	
On Screen Display	Multi-language Support(16) English, Japanese, Spanish, French, Portuguese, Korean, German, Italian, Russian, Polish, Czech, Romanian, Serbian, Swedish, Danish, Turkish	
Camera Title	Off / On (Displayed 15 characters)	
Day & Night	Auto (ICR) / Color / B/W	
Backlight Compensation	Off / User BLC / HLC	
Wide Dynamic Range	120dB	
Digital Noise Reduction	SSNRIV (Off / On)	
Defog	AUTO / MANUAL / OFF	
Motion Detection	Off / On(4 zones)	
Privacy Masking	Off / On (4zones rectangle)	
Gain Control	Off / Low / Middle / High / Very High	
White Balance	ATW / Outdoor / Indoor / Manual / AWC (1,800K ~ 10,500K)	
Electronic Shutter Speed	1sec ~ 1/12,000sec	
Reverse	Off / H-Rev / V-Rev / HV-Rev	
Profile	Basic, Day & Night, Backlight, ITS, Indoor, User	
Alarm	(MD) output 1	
Remote Control Interface	Coaxial	
Protocol	NTSC/PAL : Pelco-C (Coaxitron) AHD : ACP(AHD Coax Protocol)	
Video Transmission Distance	500m(5C2V Coaxial Cable)	
<b>ENVIRONMENTAL</b>		
Operating Temperature / Humidity	-30°C ~ +55°C (-22°F ~ +131°F) / Less than 90% RH * Start up should be done at above -10°C	
Ingress Protection	IP66	
Vandal Resistance	IK10	
<b>ELECTRICAL</b>		
Input Voltage / Current	Dual ( 24VAC±10% & 12VDC±10%)	
Power Consumption	Max. 6W	
<b>MECHANICAL</b>		
Color / Material	Dark Gray / Aluminum	
Dimensions (WxHxD)	$\varnothing 78.0$ x $87.0$ x $260.0$ mm ( $\varnothing 3.07$ " x $3.43$ " x $10.24$ ") (Without sunshield)	
Weight	922g	

\* The latest product information / specification can be found at [hanwha-security.com](http://hanwha-security.com)  
\* Design and specifications are subject to change without notice.