

Single Light 1181

Features

- Solid brass construction
- Single-post, single light with nightlight option design
- UL listed for damp locations (U.S. and Canada)
- May be wired for independently functioning main light and nightlight *
- Max. 100 Watt Type A-19 bulb and Max. 7 Watt Type C-7 bulb (not suppl)
- May be installed with shade facing upward or downward
- Complements Chelsea product series

Codes / Standards Compliance

Meets or exceeds the following at date of manufacture:

- UL Listed
- All applicable US Federal and State material regulations

Colors / Finishes

- ORB: Oil Rubbed Bronze
- PB: Polished Brass
- PC: Polished Chrome
- PN: Polished Nickel
- SN: Satin Nickel



Specified Model

Model	Description	Colors Finishes
1181	Single Light with Nightlight Option, Satin-Etched Glass	<input type="checkbox"/> ORB <input type="checkbox"/> PB <input type="checkbox"/> PC <input type="checkbox"/> PN <input type="checkbox"/> SN

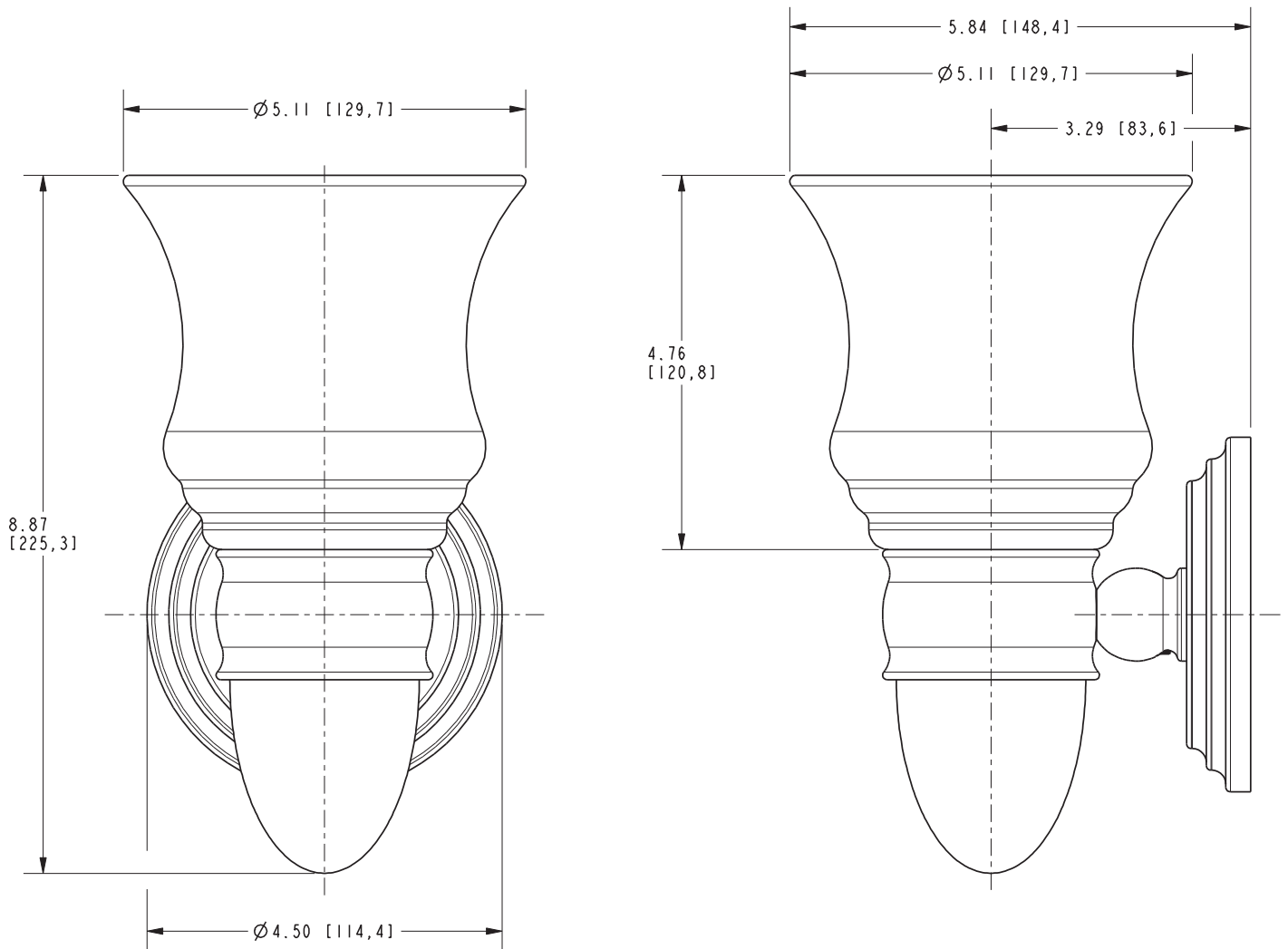
Replacement Parts

Model	Description	Colors Finishes
1181-TG-E	Replacement Main Glass Shade, Satin-Etched Glass	<input type="checkbox"/> Satin-Etched Glass
1181-BG-E	Replacement Nightlight Glass Shade, Satin-Etched Glass	<input type="checkbox"/> Satin-Etched Glass

Product Specification: Add "Color / Finish" Suffix to Model Number Below

The Single Light shall incorporate solid brass construction with a nightlight option and (satin-etched, nuage or satin opal) glass shade. Single Light shall complement Ginger Chelsea product series. Single Light shall be Ginger Model 1181____/____.

1181



Chelsea Single Light
1181

GINGER