



Sheboygan, WI

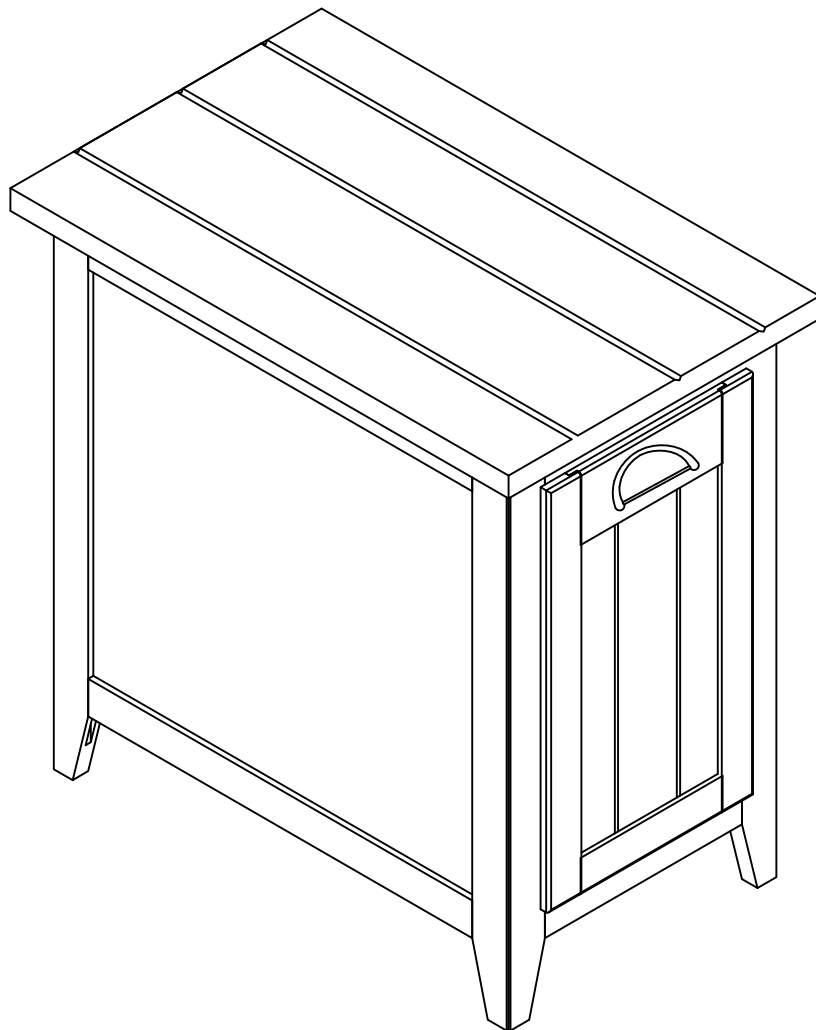
920-451-4060





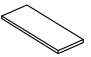




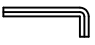

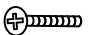
info@leickhome.com

www.leickhome.com

Thank you for purchasing Leick Furniture products.
Contact customer service for comments or concerns.

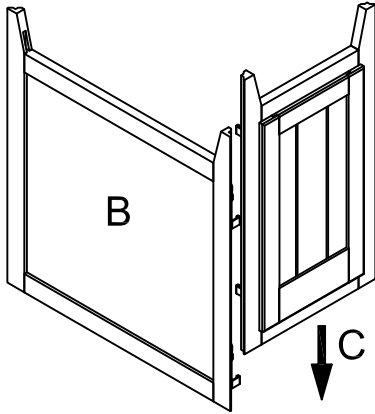
Assembly Instructions, #10031 Cabinet End Table



A: Top Assembly	
B: (2) Side Frames	
C: Front Frame	
D: Back Frame	
E: (2) Shelves	
F: (8) Shelf Supports	
G: (6) Bolts	
H: (6) Flat Washers	
I: (6) Lock Washers	
J: Allen Wrench	
K: Handle	
L: (2) Handle Screws	

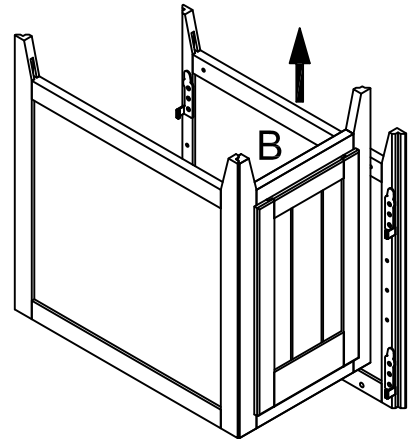
Step 1

Assemble upside down. Put one side frame (B) to the front frame (C) making sure both corner fasteners line up. Tap down with your hand or a light tap with a hammer should do it.



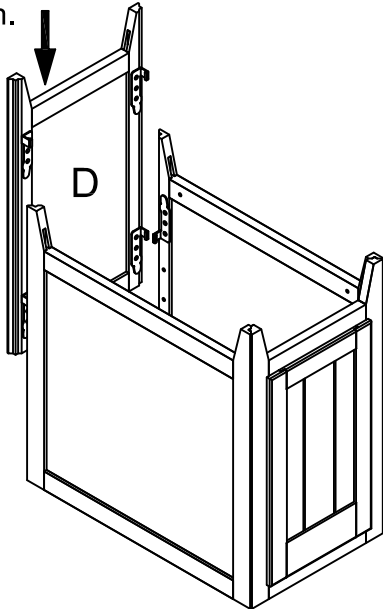
Step 2

Do the same as step one with the other side frame (B) to the front frame (C).



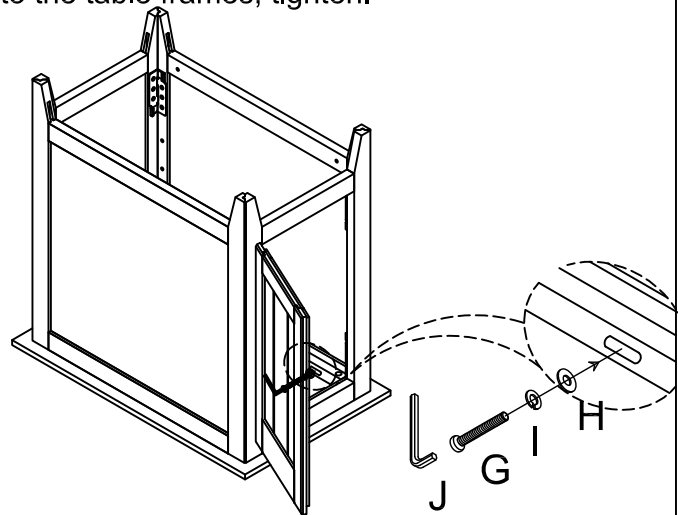
Step 3

Line up the four corner fasteners of the back frame (D) and tap that down.



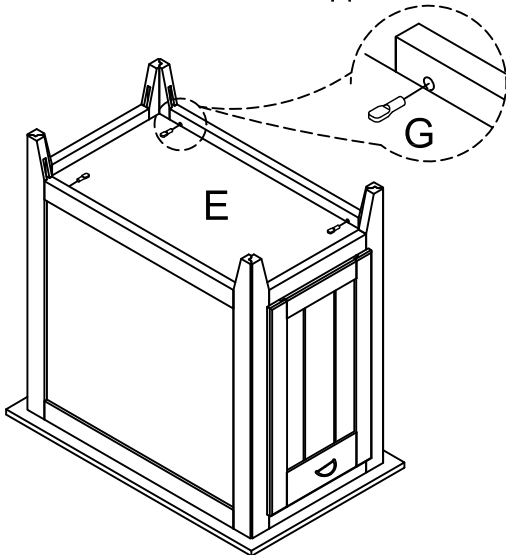
Step 4

Put the top (A) upside down on a soft surface. Place the above side (front, back, and frame assembly) onto the top. Insert all the bolts through the cleats on the top into the table frames, tighten.



Step 5

Place the bottom panel (E) into the table. It will rest on the corner fasteners. Insert shelf supports into holes.



Step 6

Turn the table upright, then insert the shelf supports and shelf in through the door. Fasten the handle with screws.

