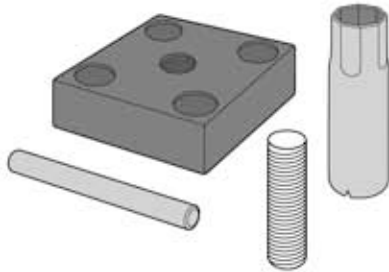


INSTALLATION | COMPRESSION POST BASE KIT 4x4 / 4x6 / 6x6

IMPORTANT NOTE

! FOR COMPRESSION LOADS ONLY WHERE TOP OF POST IS CONNECTED TO AN UPPER STRUCTURE. NOT INTENDED FOR USE IN GUARD RAILS.

COMPRESSION POST BASE KIT



(1) Base, (1) Tube, (1) Locking pin, (1) Threaded Stud
Concrete screws sold separately.

TOOLS NEEDED



- 1-1/4" Ship Auger (1.)
-or-
1-1/4" Speed Bore (2.)

1. Concrete screw (1.)
-or-
Wedge bolt (2.)
-or-
Expansion bolt (3.)
- 3/8" Speed bit



POST WRENCH
See step 9



Sold separately.

1 **START**

BORE 1-1/4" diameter hole to 4-1/4" deep.

2

TAP tube into bore with V-CUT facing side of post.

3

Insert threaded stud into nut inside tube.

Using a scrap of wood, TAP stud to set tube 1/16" to 1/8" below surface of post.

1/16" - 1/8"

TAP tube flush with bottom of post.

4

MARK locking pin hole location in Center of post 3-1/2" from end of post.

5

DRILL with 3/8" speed bit to the opposite side of post.

6

TAP locking pin into hole and set it 1/8" inside of post.

TITAN COMPRESSION POST BASE™ KIT / TICP44 / TICP46 / TICP66

QUESTIONS? CONTACT US TOLL FREE

1-866-577-8868



titanbuildingproducts.com

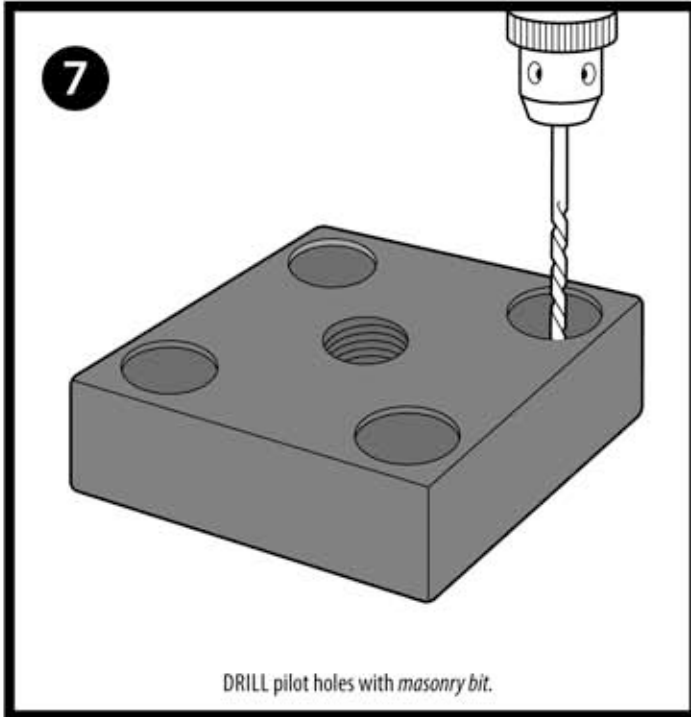


INSTALLATION | COMPRESSION POST BASE KIT 4x4 / 4x6 / 6x6

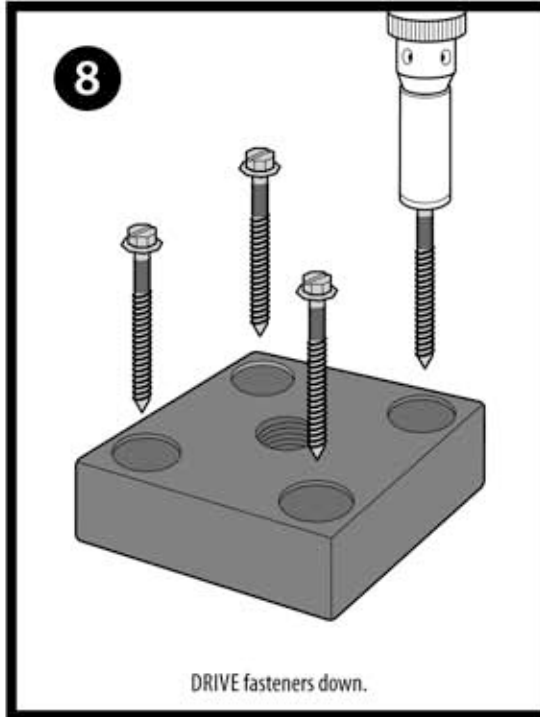
IMPORTANT NOTE



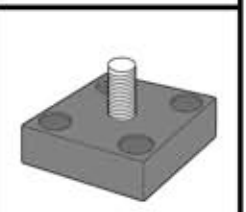
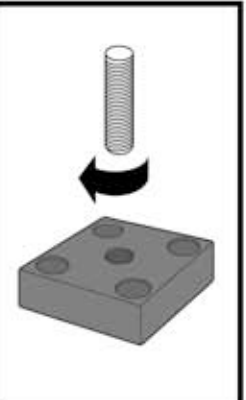
FOR COMPRESSION LOADS ONLY WHERE TOP OF POST IS CONNECTED TO AN UPPER STRUCTURE. NOT INTENDED FOR USE IN GUARD RAILS.



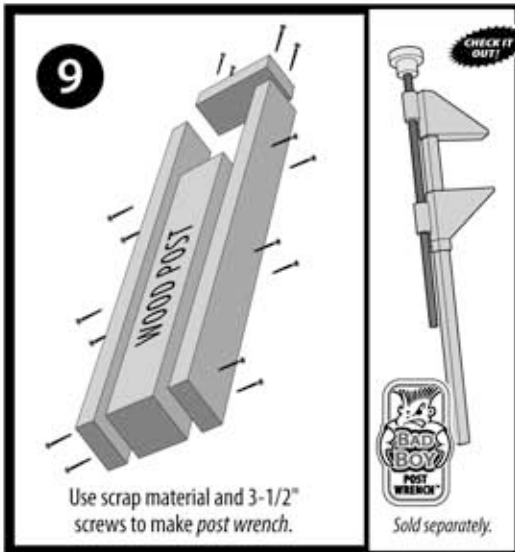
DRILL pilot holes with *masonry bit*.



DRIVE fasteners down.

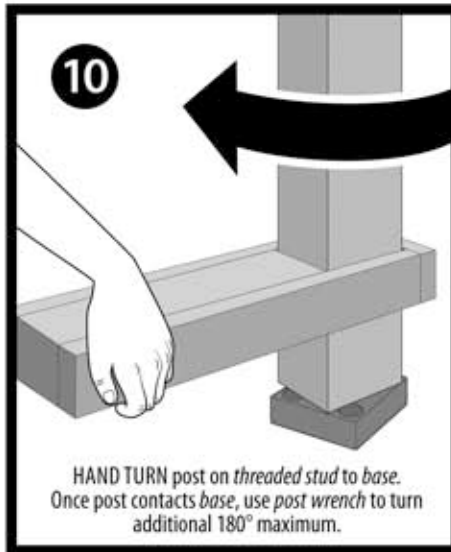


HAND TIGHTEN threaded stud until stud contacts substrate.

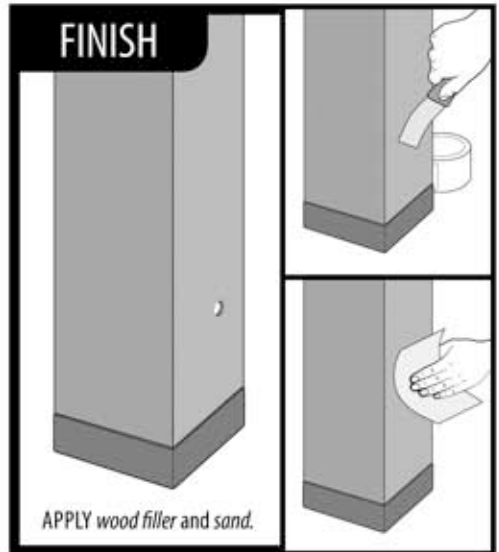


Use scrap material and 3-1/2" screws to make post wrench.

BAD BOY POST WRENCH
Sold separately.



HAND TURN post on threaded stud to base. Once post contacts base, use post wrench to turn additional 180° maximum.



APPLY wood filler and sand.

TITAN COMPRESSION POST BASE™ KIT / TICP44 / TICP46 / TICP66

PATENT NO	PENDING
-----------	---------

IN NO EVENT SHALL TITAN BUILDING PRODUCTS BE LIABLE FOR ANY LOSS OR DAMAGE, DIRECT OR OTHERWISE, WHICH RESULTS FROM THE IMPROPER INSTALLATION OR USE OF THIS PRODUCT. IF FOR ANY REASON TITAN BUILDING PRODUCTS BECOMES LIABLE FOR LOSS OR DAMAGE, DIRECT OR OTHERWISE, THE AGGREGATE LIABILITY OF TITAN BUILDING PRODUCTS SHALL BE LIMITED TO THE RETAIL PURCHASE PRICE OF THE PRODUCTS.

QUESTIONS? CONTACT US TOLL FREE

1-866-577-8868



titanbuildingproducts.com