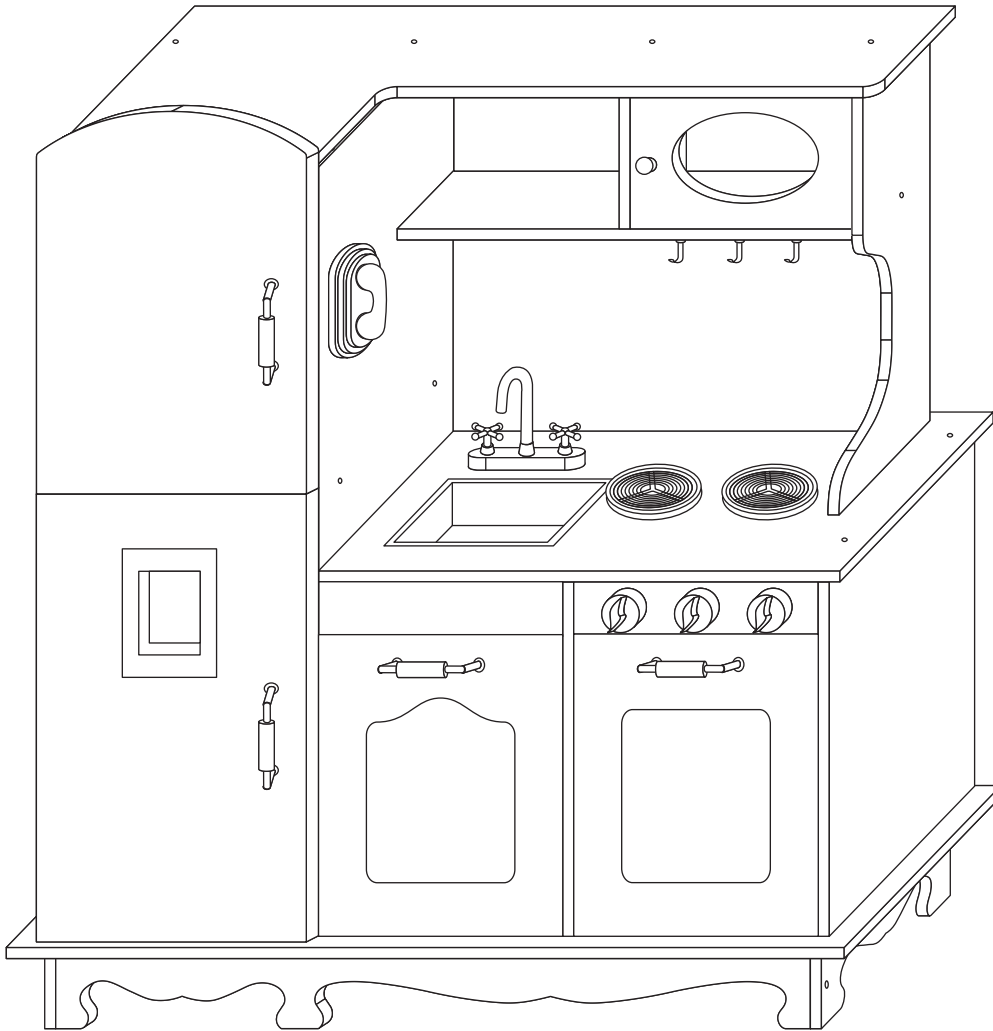



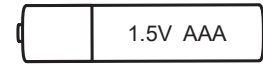
CHEF SOUNDS KITCHEN PLAYSET TZX-6661

Review all assembly and care information before using this product. Save this manual for future reference.
Assemble components on a soft, clean surface to avoid damaging the finish.

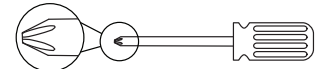
Inspect packaging to ensure all parts are accounted for before disposing of packing materials.
Save the packing slip.

REQUIRES (2) 'AAA' BATTERIES (not included)



TIP: Use quality batteries for maximum operating time; low-quality batteries will need to be replaced more frequently. Do not mix new and old batteries. Do not mix alkaline, standard, or rechargeable batteries.

TOOLS REQUIRED (not included)



Phillips Screwdriver

! WARNING !

CHOKING HAZARD — This item contains small parts that can be swallowed. Keep children and pets away during assembly.



Not suitable for children under 3 years of age

IMPORTANT: Read all use, care and safety information before allowing children to use this playset. Adult assembly required.

! WARNING:

Manufacturer and seller expressly disclaim any and all liability from personal injury, property damage or loss, whether direct or indirect, or incidental, resulting from the incorrect attachment, improper use, inadequate maintenance, or neglect of this product.

COMPONENTS

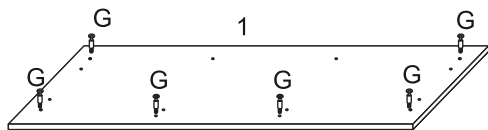
1 		3 		4 		6 							
2 				5 									
7 	8 	9 	11 	12 	14 	15 							
		10 		13 									
16 		17 	18 		20 								
			19 		21 								
22 		24 	25 	26 	27 	28 							
23 													
A 29PCS M4x40mm	B 15PCS M4x16mm	C 4PCS M4x8mm	D 2PCS M4x12mm	E 6PCS M3x16mm	F 56PCS M3x8mm	G 6PCS M6x40mm	H 6PCS Ø12mm	I 16PCS M5x30mm	J 8PCS Small rectangular piece				
K1 5PCS 	K2 5PCS 	L 2PCS 	M 3PCS 	N 4PCS 	O 4PCS 	P 3PCS M3x18mm	Q 3PCS 	R 1PC 	S 1PC 	T 2PCS 	U 1PC 	V 1PC 	W 1SET

ASSEMBLY

STEP 1

1: 1

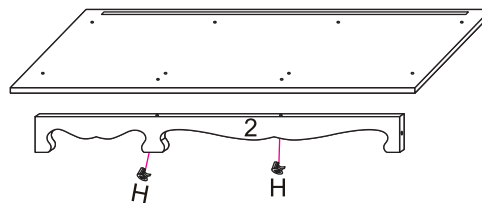
G: 6



STEP 2

2: 1

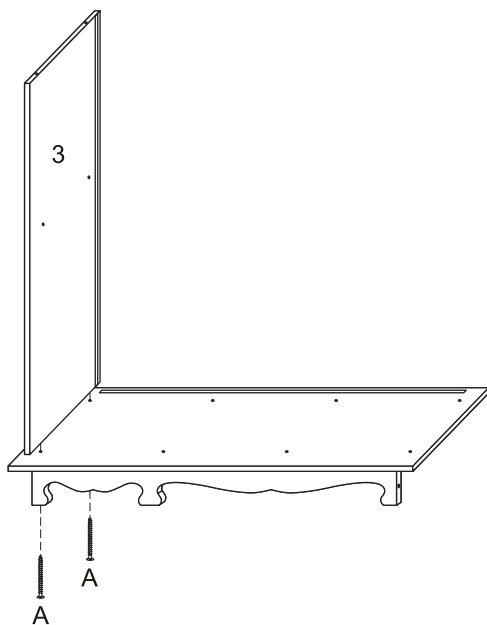
H: 2



STEP 3

3: 1

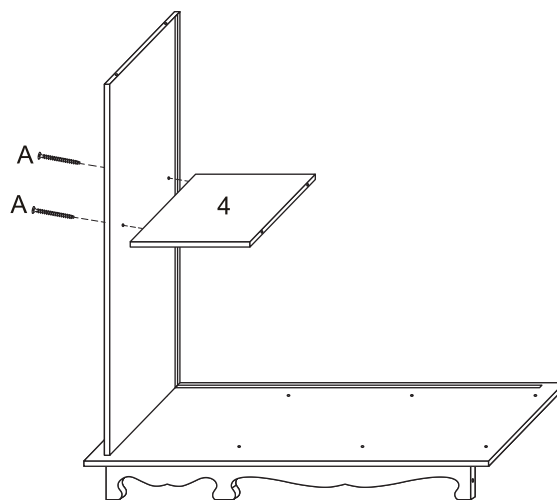
A: 2



STEP 4

4: 1

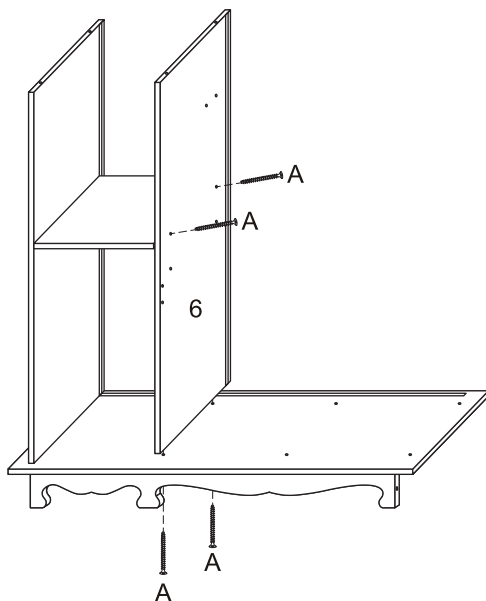
A: 2



STEP 5

6: 1

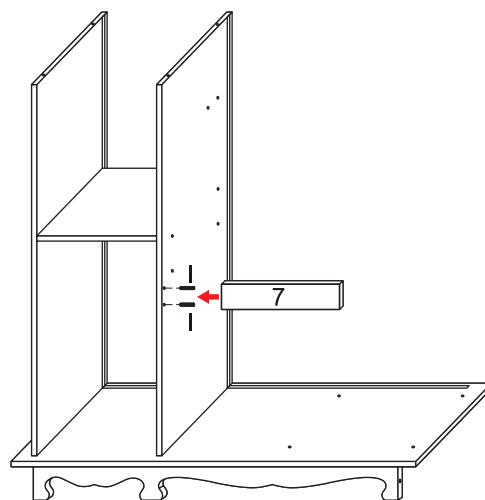
A: 4



STEP 6

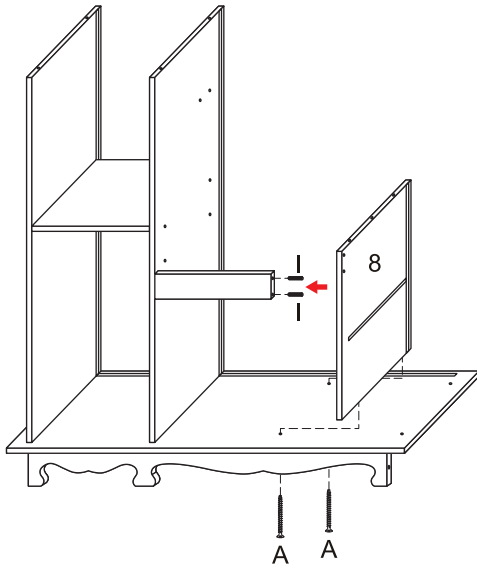
7: 1

I: 2

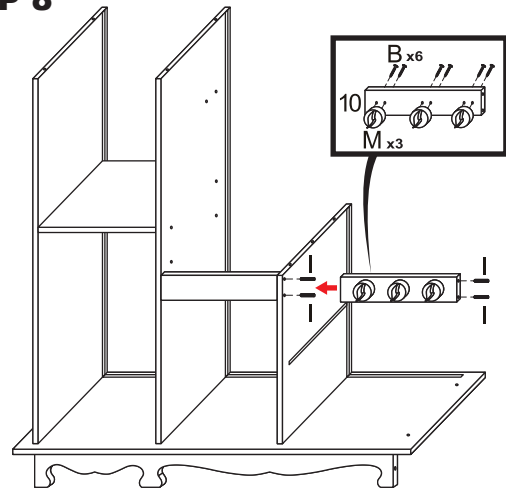


STEP 7

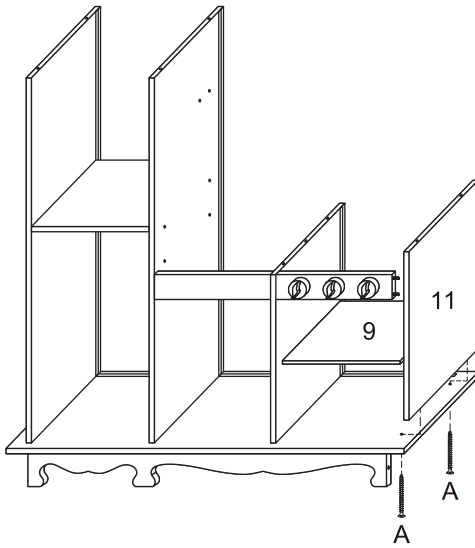
8: 1
 A: 2
 I: 2

**STEP 8**

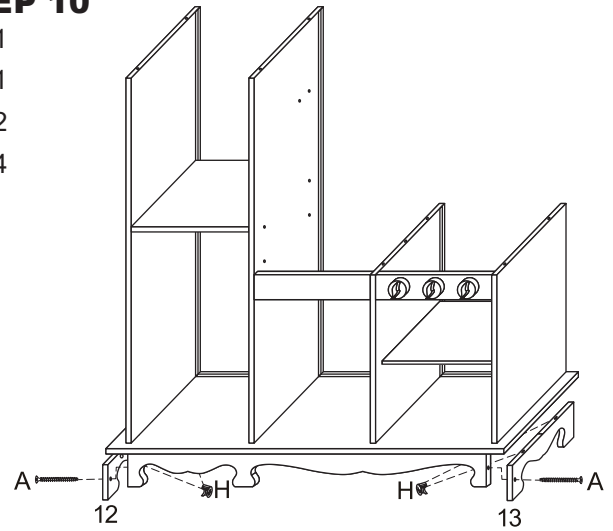
10: 1
 B: 6
 I: 4
 M: 3

**STEP 9**

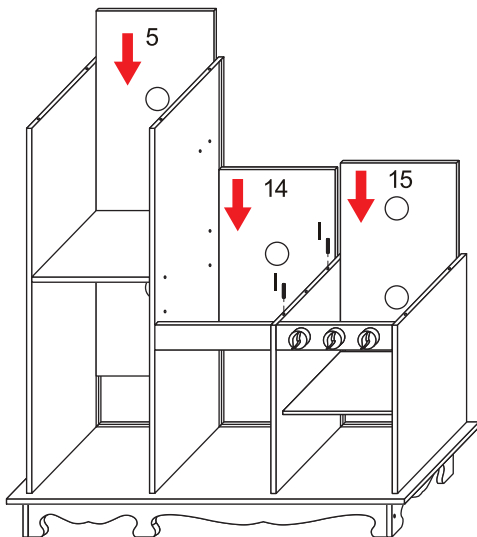
9: 1
 11: 1
 A: 2

**STEP 10**

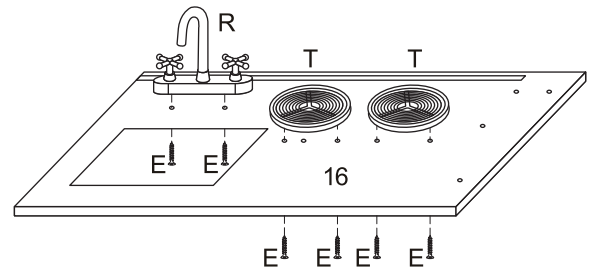
12: 1
 13: 1
 A: 2
 H: 4

**STEP 11**

5: 1
 14: 1
 15: 1
 I: 2

**STEP 12**

16: 1
 E: 6
 R: 1
 T: 2

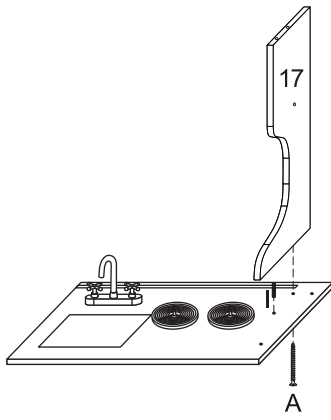


STEP 13

17: 1

A: 1

I: 1

**STEP 14**

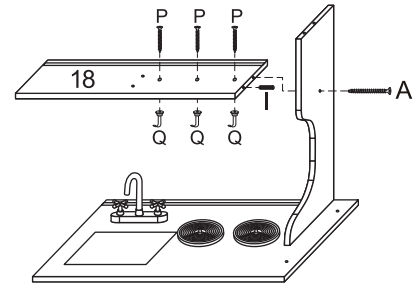
18: 1

A: 1

I: 1

P: 3

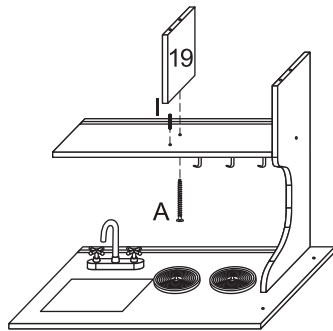
Q: 3

**STEP 15**

19: 1

A: 1

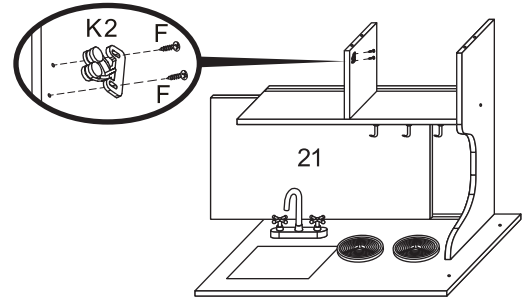
I: 1

**STEP 16**

21: 1

F: 2

K2: 1

**STEP 17**

23: 1

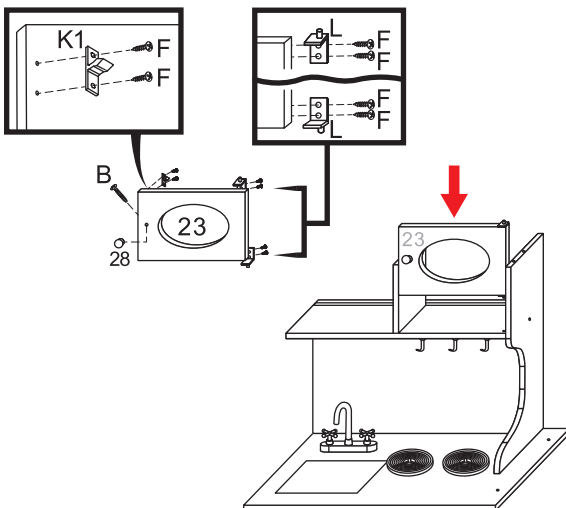
28: 1

B: 1

F: 6

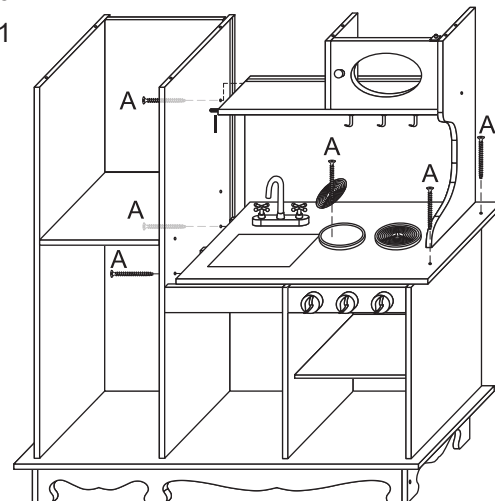
K1: 1

L: 2

**STEP 18**

A: 6

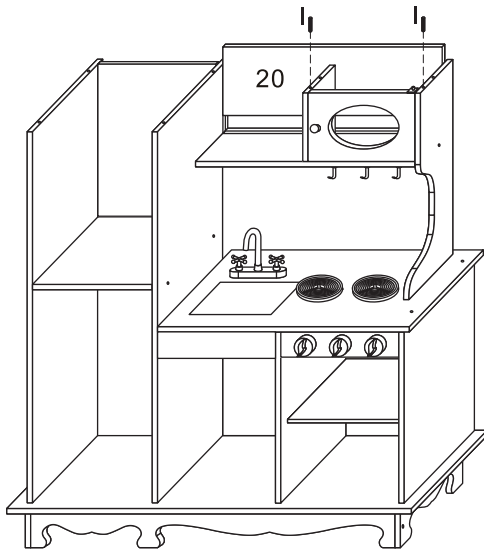
I: 1



STEP 19

20: 1

I: 2

**STEP 20**

22: 1

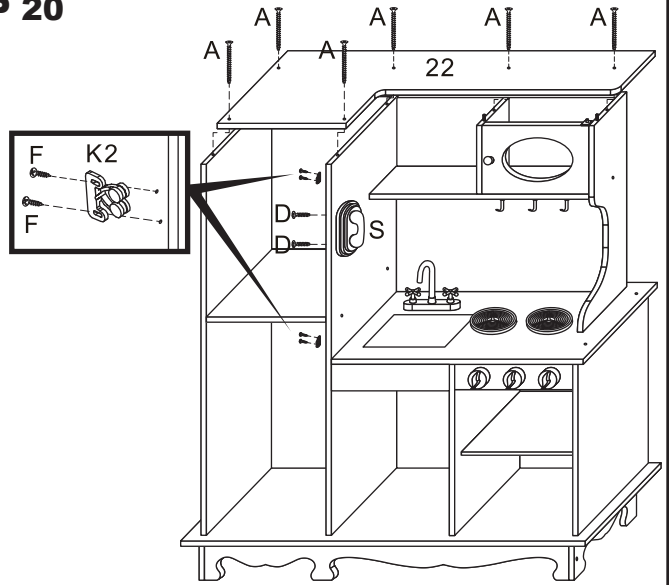
A: 6

F: 4

D: 2

K2: 2

S: 1

**STEP 21**

24: 1

25: 1

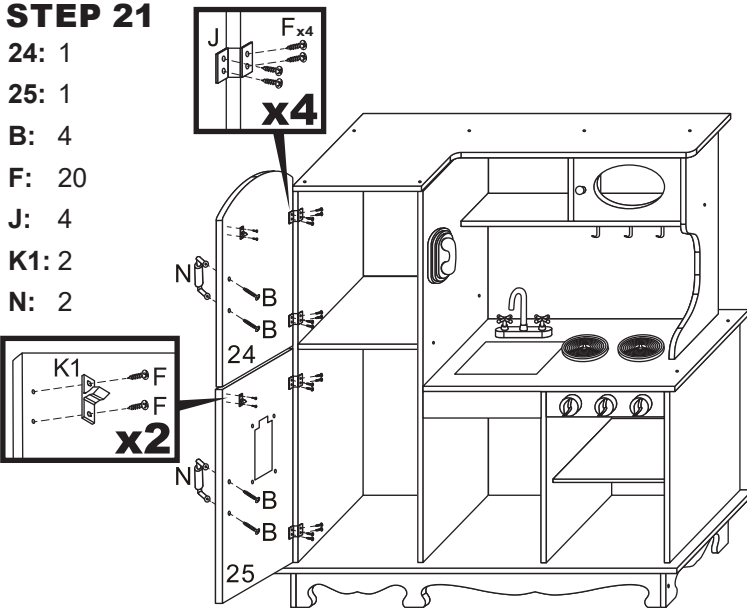
B: 4

F: 20

J: 4

K1: 2

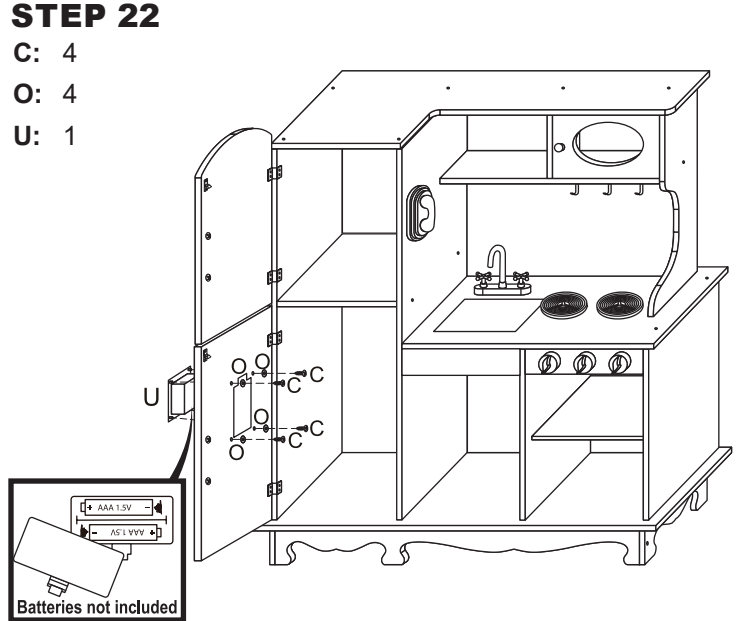
N: 2

**STEP 22**

C: 4

O: 4

U: 1

**STEP 23**

26: 1

27: 1

B: 4

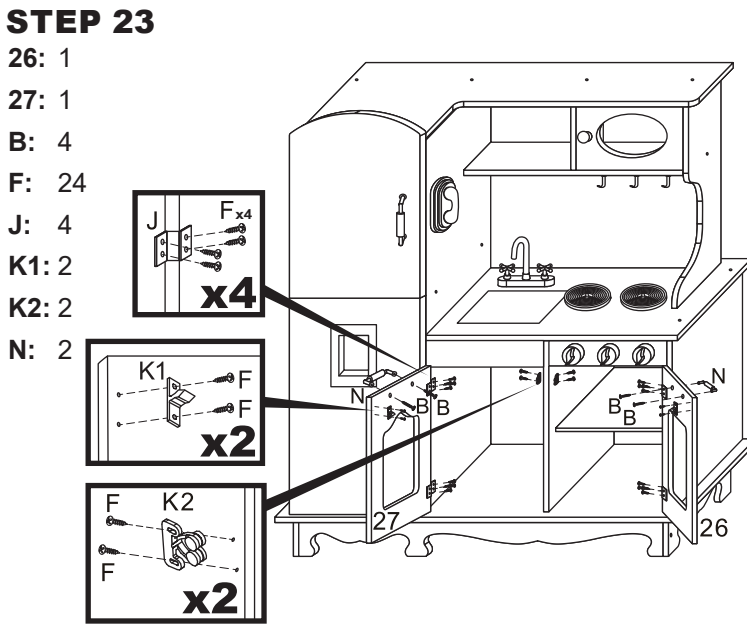
F: 24

J: 4

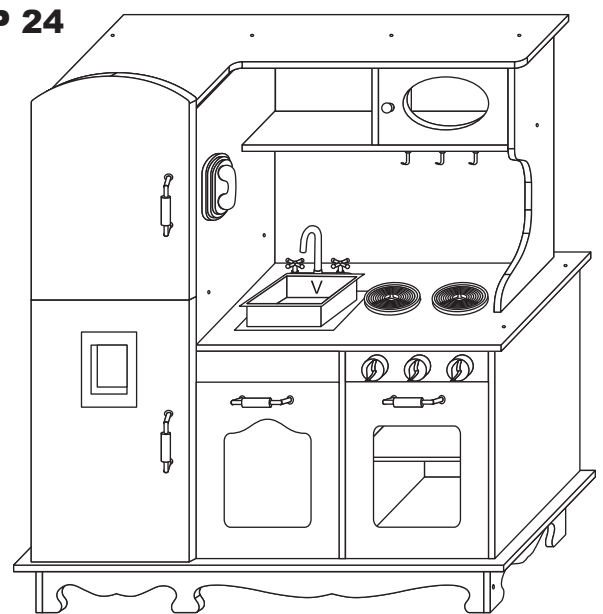
K1: 2

K2: 2

N: 2

**STEP 24**

V: 1



Care & Maintenance



! WARNING: PREVENT TIP OVERS!

- Do not allow children to pull, climb, sit, or stand on any part of the playset.
- Never place computers, televisions, or other heavy objects on the playset.
- The playset must be placed on a hard, flat, and level surface.
- If placing next to a wall, we recommend applying a stabilizing strap (not included).
- The playset must be assembled as instructed.

SAFE USE: Carefully review and follow all safety information.

CARE: Regular cleaning is recommended. Do not submerge battery-operated components in water. Frequently inspect the playset and accessories for damage; immediately dispose of damaged and broken components.

CLEANING: Wipe soiled surfaces with a damp cloth. Do not use harsh chemicals or abrasive materials to clean any part or accessory of this unit.

! SAFETY STATEMENTS & WARNINGS !

- For indoor use only.
- Only use this unit on a hard, flat, and level surface.
- Not suitable for children under 3 years of age.
- Supervise children; do not allow children to pull, climb, sit, or stand on any part of the playset.
- Do not allow children to change the batteries.
- Frequently inspect assembly points to ensure components are properly connected. Do not allow children to play with damaged or broken equipment and/or accessories.
- Playset accessories not intended for use with real food.
- Do not place liquids or hot items directly on the unit.
- Never use chemicals or abrasive materials to clean the unit.
- Avoid long-term exposure to sunlight.
- Avoid placing the unit near heating or cooling vents, long-term exposure to forced air can damage the unit.
- Keep the unit a safe distance away from all heat sources such as, but not limited to, heat vents, gas or electric heaters, fireplaces, etc.
- Promptly remove expelled batteries. Do not mix old and new batteries. Mixing batteries could cause leakage of the acid inside batteries, damaging the unit.
- Remove batteries before the unit is stored or if it will not be used for a long period of time.
- Only use compatible batteries. Incompatible batteries may damage the unit and void the warranty.

Any modification to the product or failure to follow recommended care will void the product warranty.

If you experience issues with assembly or the product was damaged during shipping, please contact our customer service team directly through one of the methods mentioned at the top of page 1.

Please have the item number and order information ready to expedite response time.

! WARNING:

Manufacturer and seller expressly disclaim any and all liability from personal injury, property damage or loss, whether direct or indirect, or incidental, resulting from the incorrect attachment, improper use, inadequate maintenance, or neglect of this product.