

# FLEXSTEEL®

## W1042 - 91Q1 / 91Q2 / 90R3

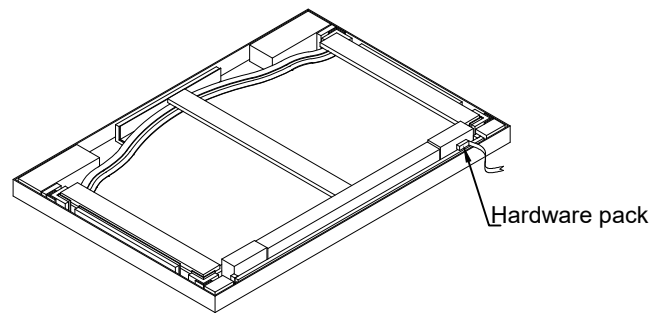
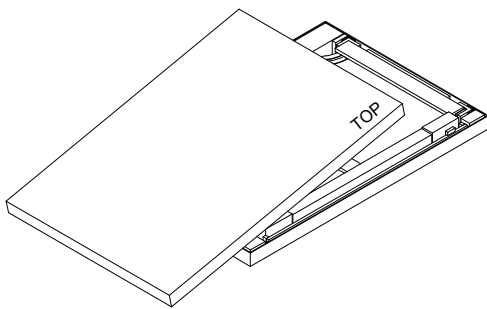
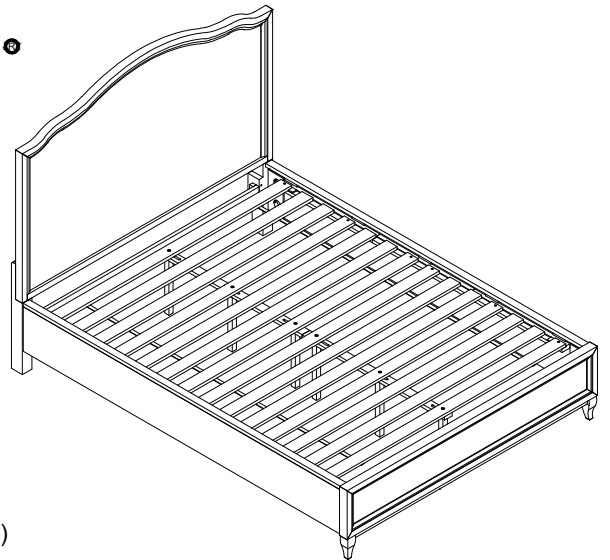
### Queen Panel Bed

#### IMPORTANT

Carefully remove all parts from the carton, and put them individually on a soft cloth to prevent damage to the parts.

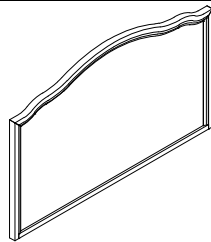
We have taken great care in the design of this product and request that you carefully and accurately follow our assembly instructions to ensure proper set-up.

A Phillips Head Screwdriver is required for assembly (Not Provided)

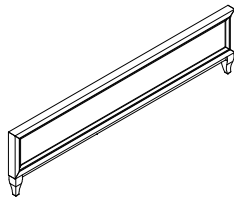


#### Part List

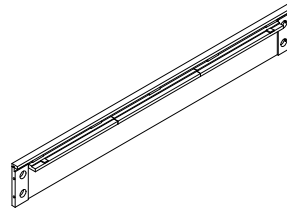
#### Assembly Instructions 1/4



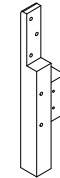
A. Headboard  
1 piece



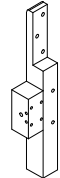
B. Footboard  
1 piece



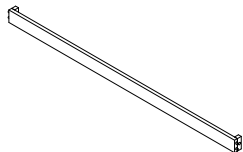
C. Side rail  
2 pieces



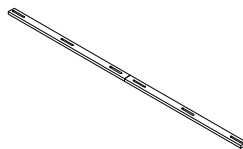
D. Headboard Post Left  
1 piece



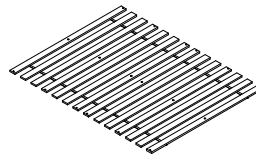
E. Headboard Post Right  
1 piece



F. Headboard Bottom Rail  
1 piece



G. Center Rail  
1 piece

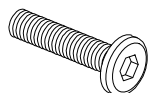


H. Roll Slats  
1set



I. Slat Support  
6 pieces

#### Hardware List



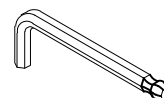
Bolt  
Ø5/16" x 18 UNC x 1-1/2"  
8 pieces



Spring Washer  
Ø5/16" x 1.5mm  
8 pieces



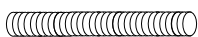
Flat Washer  
Ø5/16" x Ø19 x 1.5mm  
8 pieces



Hex Key  
5/32"  
1 piece



Screw  
12 pieces



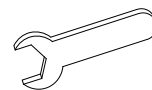
Thread Bolt  
Ø5/16" x 18 UNC x 3-1/2"  
8 pieces



Curved Washer  
1" x 5/8" x 1/16"  
8 pieces



Hexagonal Nut  
Ø5/16" x 1/2"  
8 pieces



Spanner Wrench  
1/2"  
1 pieces

# FLEXSTEEL®

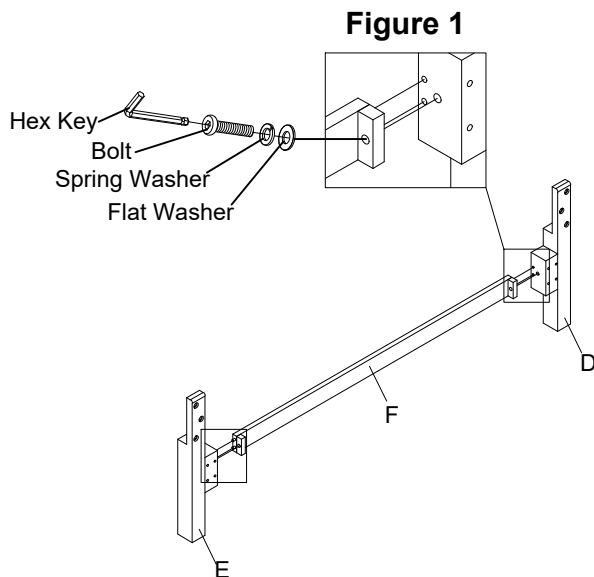
## Assembly Instructions 2/4

### IMPORTANT NOTES

- Do not tighten up all the bolts until each part is properly assembled.
- Keep the Hex Key in a safe place as you may need to tighten up the bolts in the future.
- Use a soft cloth between these parts and the floor.
- We recommend this product be assembled by at least two adults.

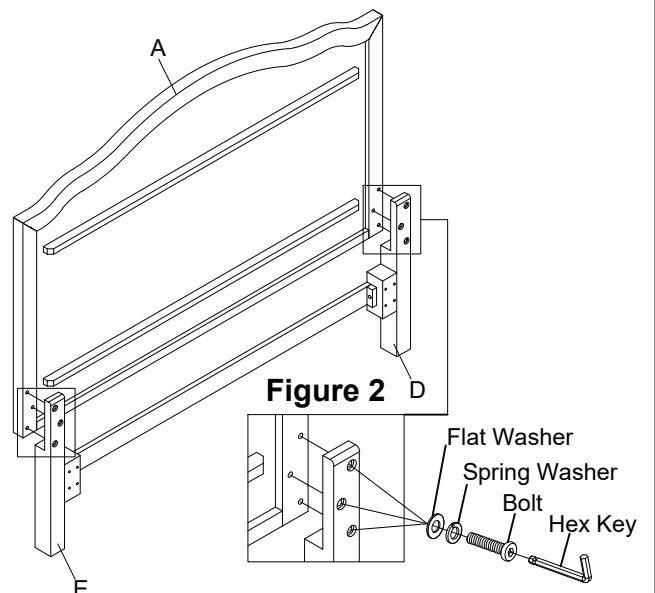
### STEP 1

Fix Headboard Post Left (D) and Headboard Post Right (E) to Headboard Bottom Rail (F). Insert Bolt, Spring Washer, Flat Washer and fully tighten bolts with Hex Key. (See Figure 1)



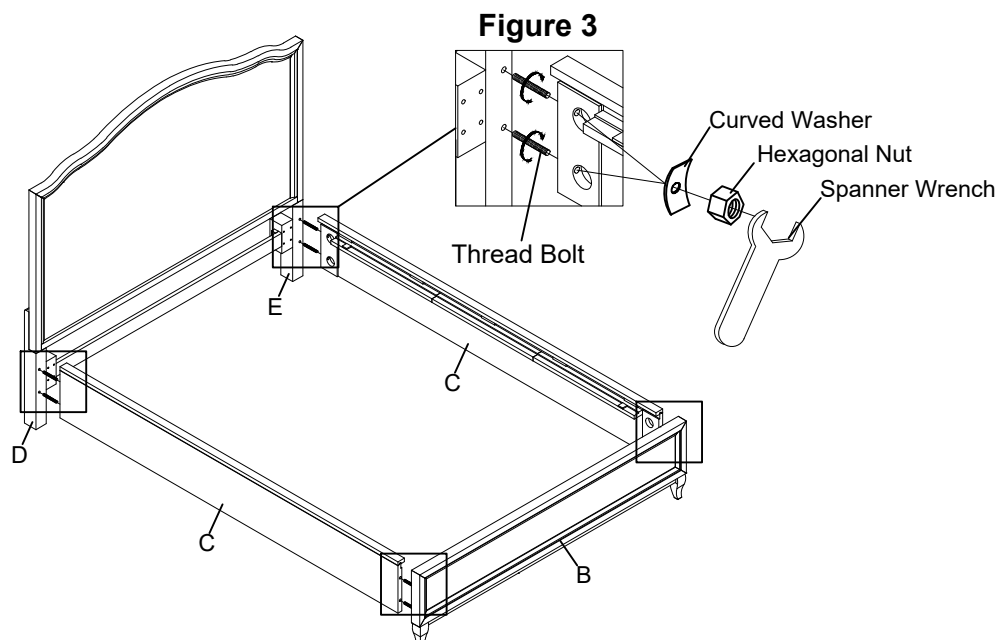
### STEP 2

Fix Headboard Post Left (D) and Headboard Post Right (E) to Headboard (A). Insert Bolt, Spring Washer, Flat Washer and fully tighten bolts with Hex Key. (See Figure 2)



### STEP 3

Connect the Side rail (C) to Headboard Post (D) and (E) and Footboard (B). Insert Thread Bolt, Curved Washer, Hexagonal Nut and fully tighten bolts with Spanner Wrench. (See Figure 3)



# FLEXSTEEL®

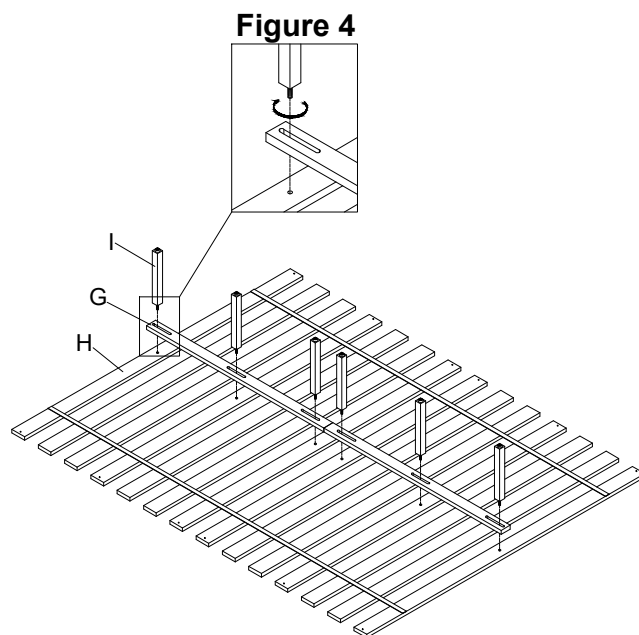
## Assembly Instructions 3/4

### IMPORTANT NOTES

- Do not tighten up all the bolts until each part is properly assembled.
- Keep the Hex Key in a safe place as you may need to tighten up the bolts in the future.
- Use a soft cloth between these parts and the floor.
- We recommend this product be assembled by at least two adults.

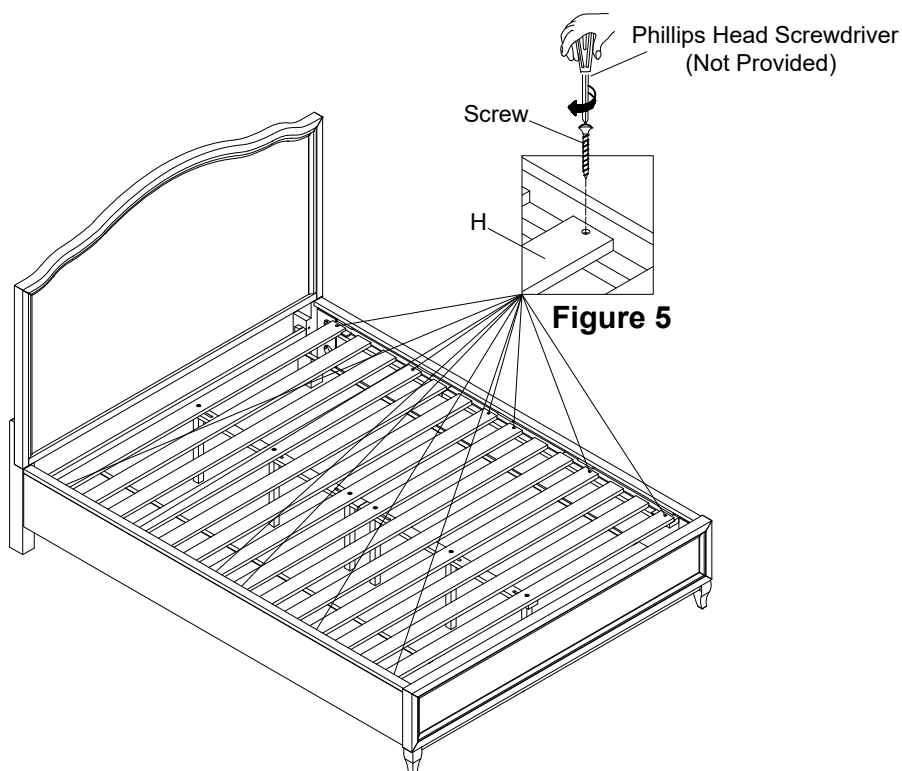
### STEP 4

Connect the Slat Support (I) and Center Rail (G) to Roll Slats (H). (See Figure 4)



### STEP 5

Fix Roll Slats (H) to Side rail (C). Insert Screw. (See Figure 5)



# FLEXSTEEL®

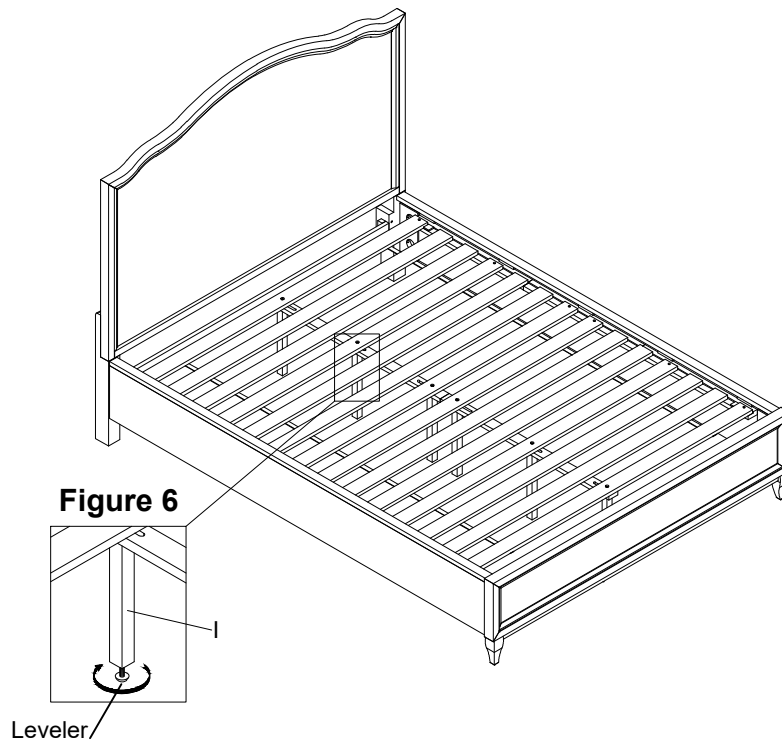
## Assembly Instructions 4/4

### IMPORTANT NOTES

- Do not tighten up all the bolts until each part is properly assembled.
- Keep the Hex Key in a safe place as you may need to tighten up the bolts in the future.
- Use a soft cloth between these parts and the floor.
- We recommend this product be assembled by at least two adults.

### STEP 6

Adjust the levelers on the Slat Supports (I) touching the floor. (See Figure 6)



### CARE INSTRUCTIONS

- To avoid scratches, do not place sharp or jagged objects directly on the bed.
- Do not place hot items directly on the bed.
- Avoid the use of harsh chemicals or abrasive cleaning materials.
- Wipe the bed clean with a soft, dry cloth after each use.
- Wipe up spills quickly with a soft, dry cloth.

Flexsteel Industries, Inc.

For Parts or Customer Service call

toll-free:

1-888-415-3979

Monday-Friday

8:00 a.m. -5:00 p.m.

(Central Time)

Email:

customersolutions@flexsteel.com

www.flexsteel.com