



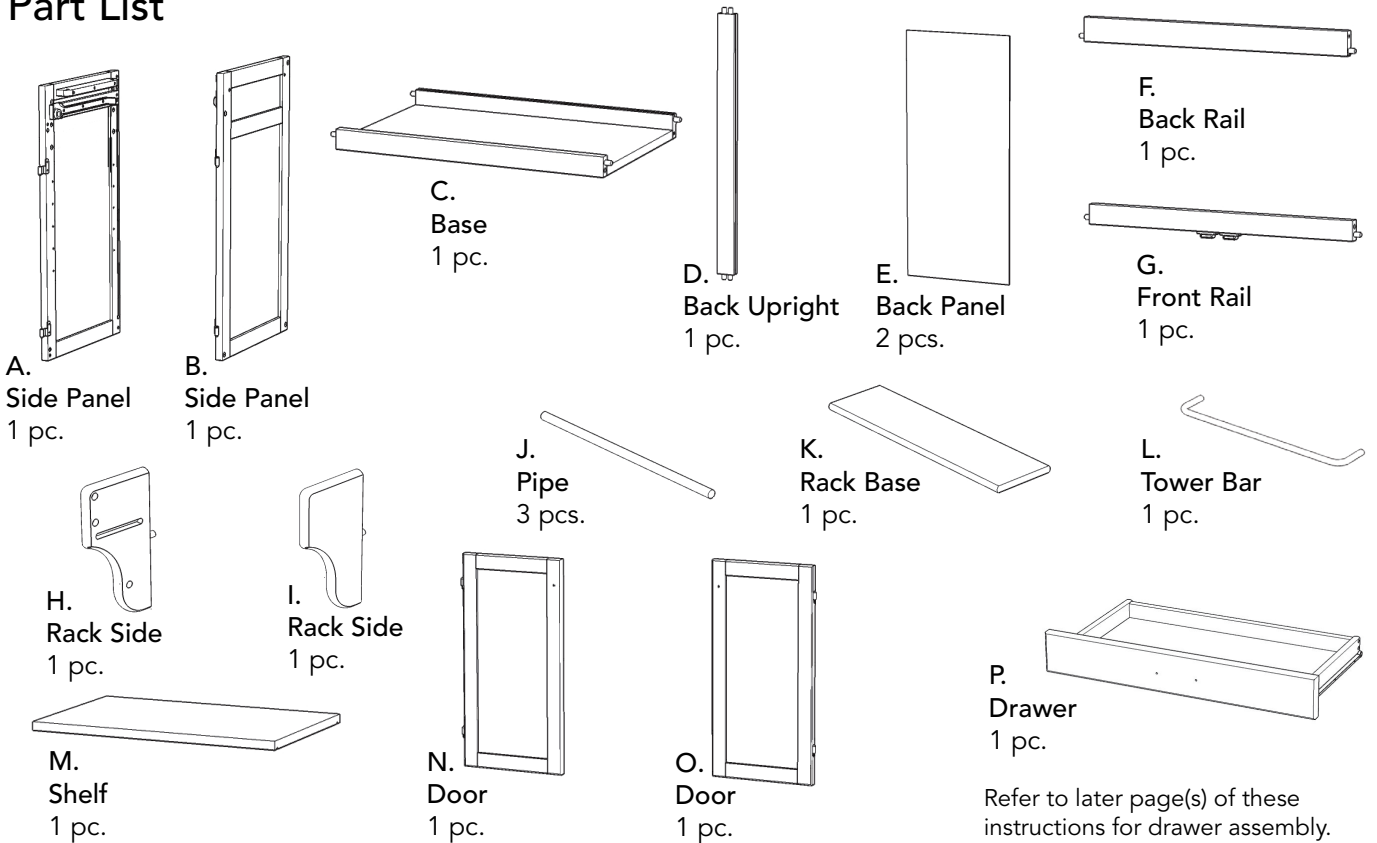
**IMPORTANT**

Carefully remove all the parts from the carton and place them individually on a soft cloth to prevent scratches or other damage.

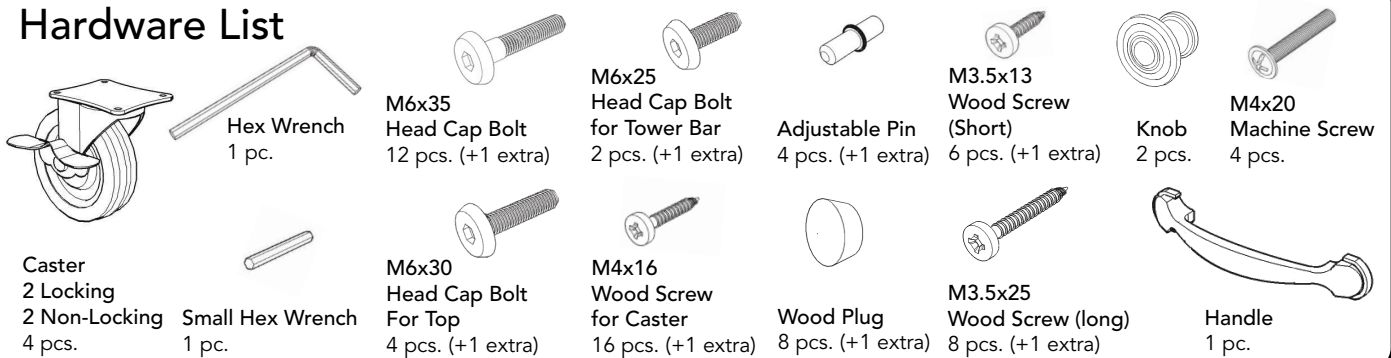
Carefully and strictly follow these assembly instructions to ensure a completed product as designed.

Do not use power tools above 8 volts to assemble.

**Part List**



**Hardware List**



20 09001 Top carton is also needed for assembly.

Tool(s) required for assembly: Phillips screwdriver

Home Styles Customer Service: [www.homestyles-furniture.com](http://www.homestyles-furniture.com),  
 servicedesk@homestyles-furniture.com, 888-680-7460, 877-831-0319

## Assembly Instructions 2/5

### IMPORTANT

- Use a soft cloth between these parts and the floor.
- Do not use power tools above 8 volts to assemble.
- Do not tighten all the bolts until each part is properly assembled.
- Keep Hex Wrench as the bolts may need to be tightened in the future.

### STEP 1

Attach Side Panel (A) to Base (C) with Head Cap Bolts. (See Figure 1)

Attach Back Upright (D) to Base (C).

Slide Back Panels (E) into position.

Attach Back Rail (F) to unit with Head Cap Bolt.

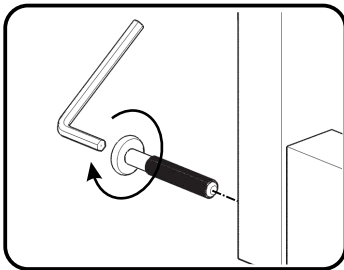
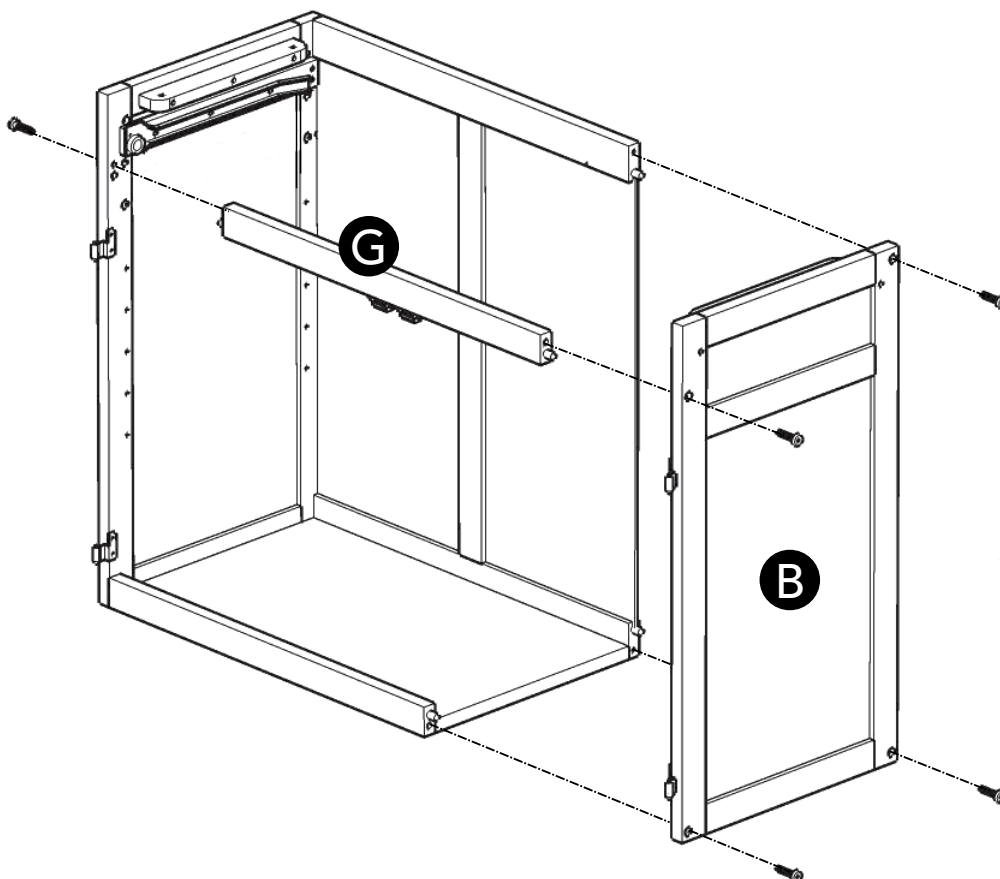
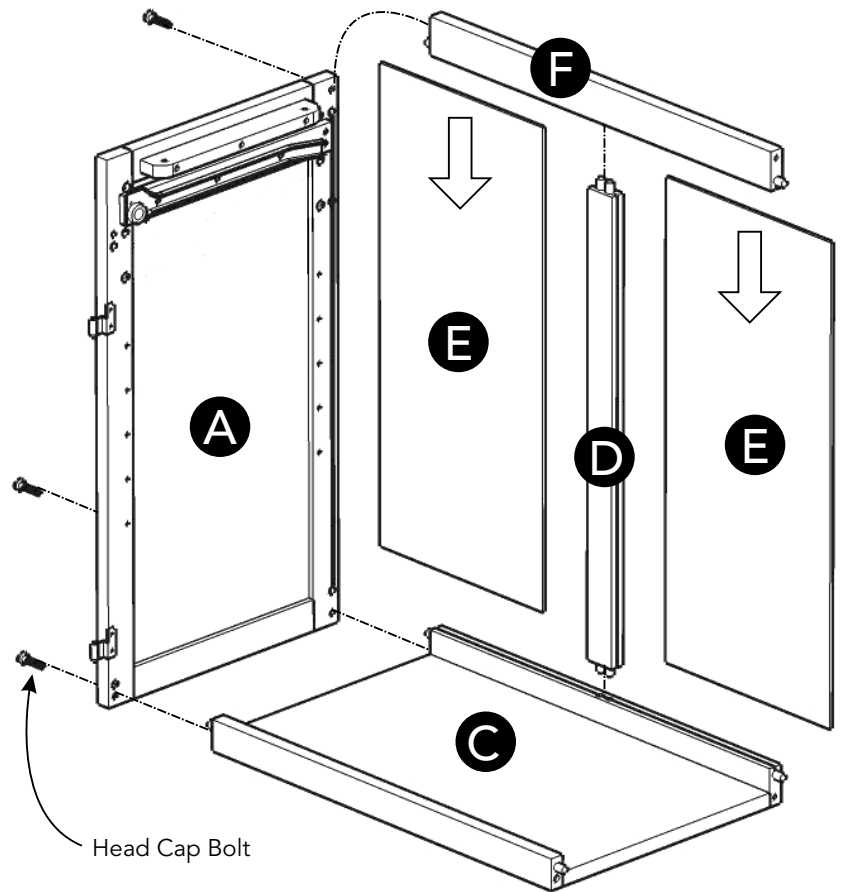


Figure 1

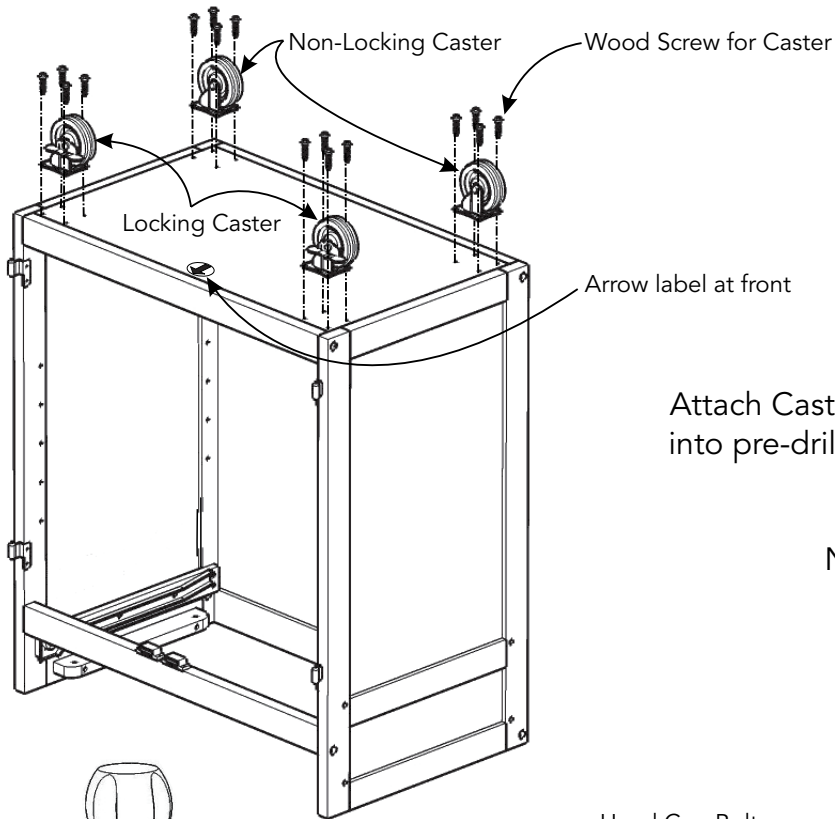


### STEP 2

Attach Front Rail (G) to unit with Head Cap Bolt.

Attach Side Panel (B) to unit with Head Cap Bolts.

# Assembly Instructions 3/5



## STEP 3

Turn unit upside down.

Attach Casters to unit with Wood Screws for Caster into pre-drilled holes, with Locking Casters at front. (See Figure 2)

Note: Arrow label indicates front of unit.

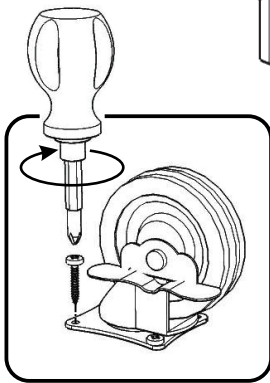


Figure 2

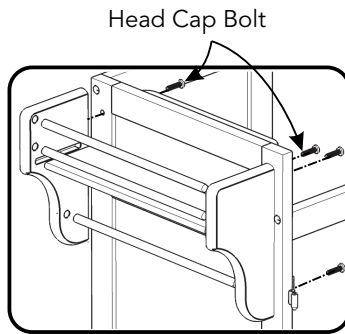


Figure 3

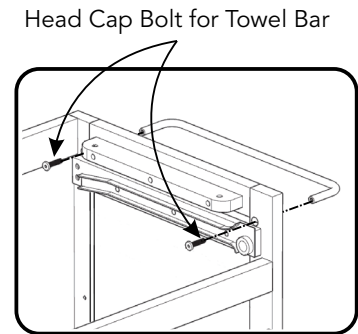


Figure 4

## STEP 4

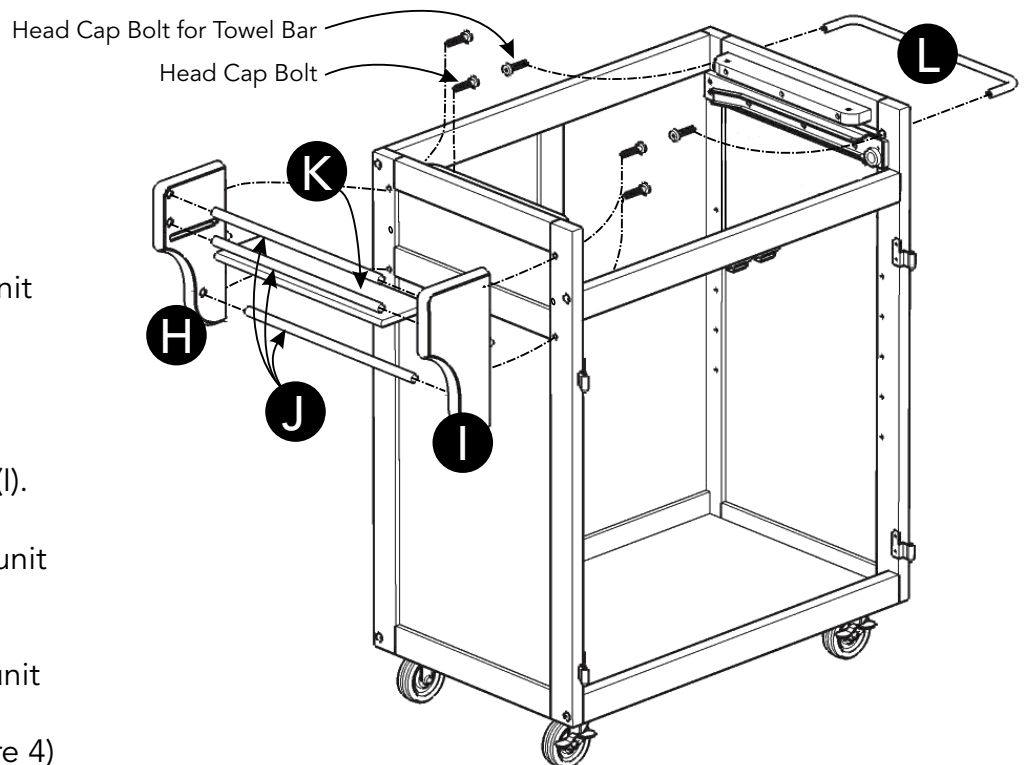
Turn unit over to its upright position.

Attach Rack Side (I) to unit with Head Cap Bolts. (See Figure 3)

Slide Rack Base (K) and Pipes (J) into Rack Side (I).

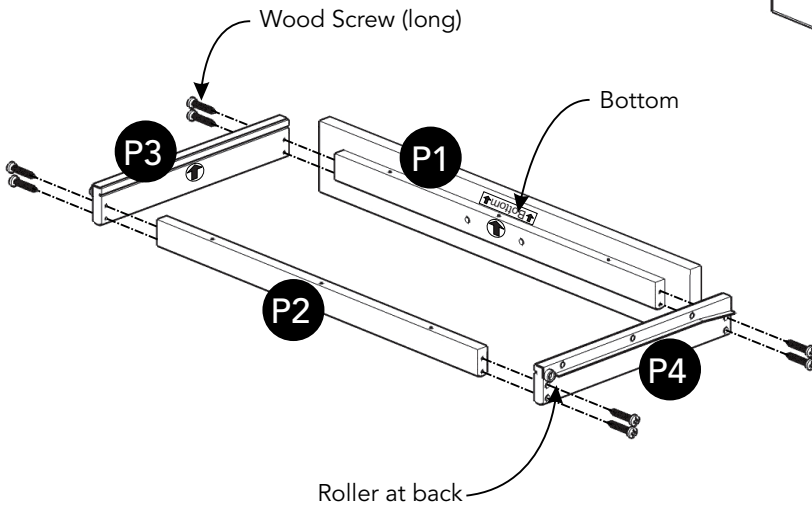
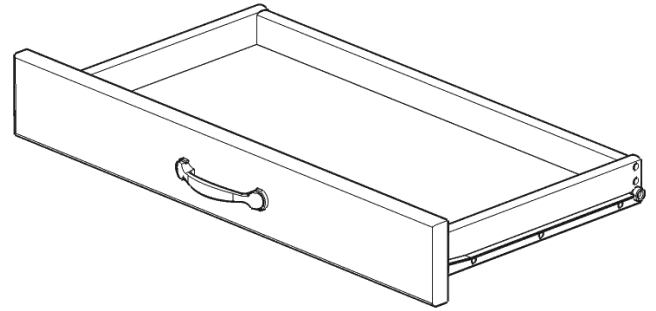
Attach Rack Side (H) to unit with Head Cap Bolts.

Attach Towel Bar (L) to unit with Head Cap Bolts for Towel Bar. (See Figure 4)



# Assembly Instructions 4/5

## Drawer (P)



### STEP 5

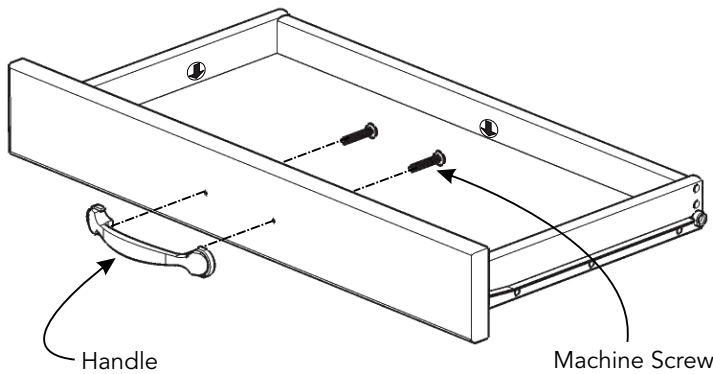
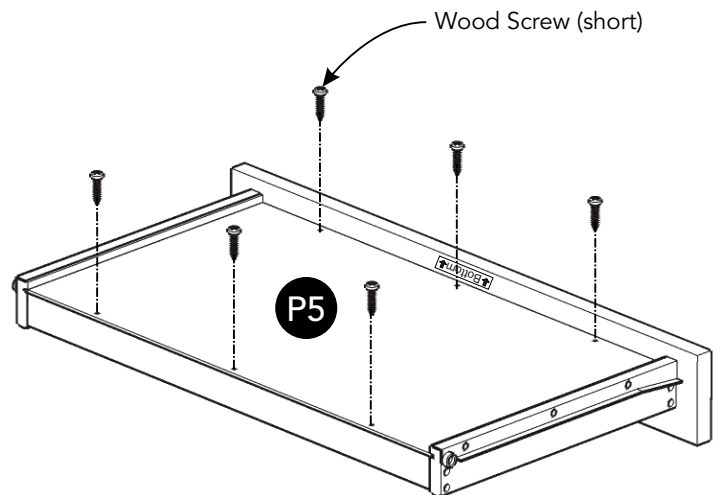
Attach Drawer Front (P1) and Drawer Back (P2) to Drawer Side (P3) with Wood Screws (long).

Attach Drawer Side (P4) to unit with Wood Screws (long).

### STEP 6

Slide Drawer Bottom (P5) into groove.

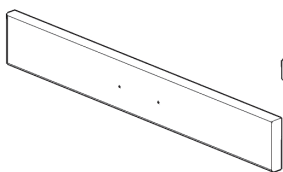
Attach Drawer Bottom (P5) to unit with Wood Screws (short).



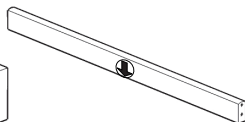
### STEP 7

Attach Handle with Machine Screws.

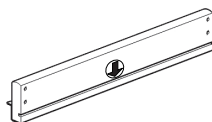
## Part List



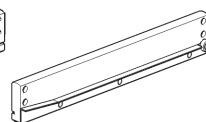
P1.  
Drawer Front  
1 pc.



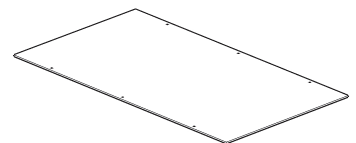
P2.  
Drawer Back  
1 pc.



P3.  
Drawer Side  
1 pc.

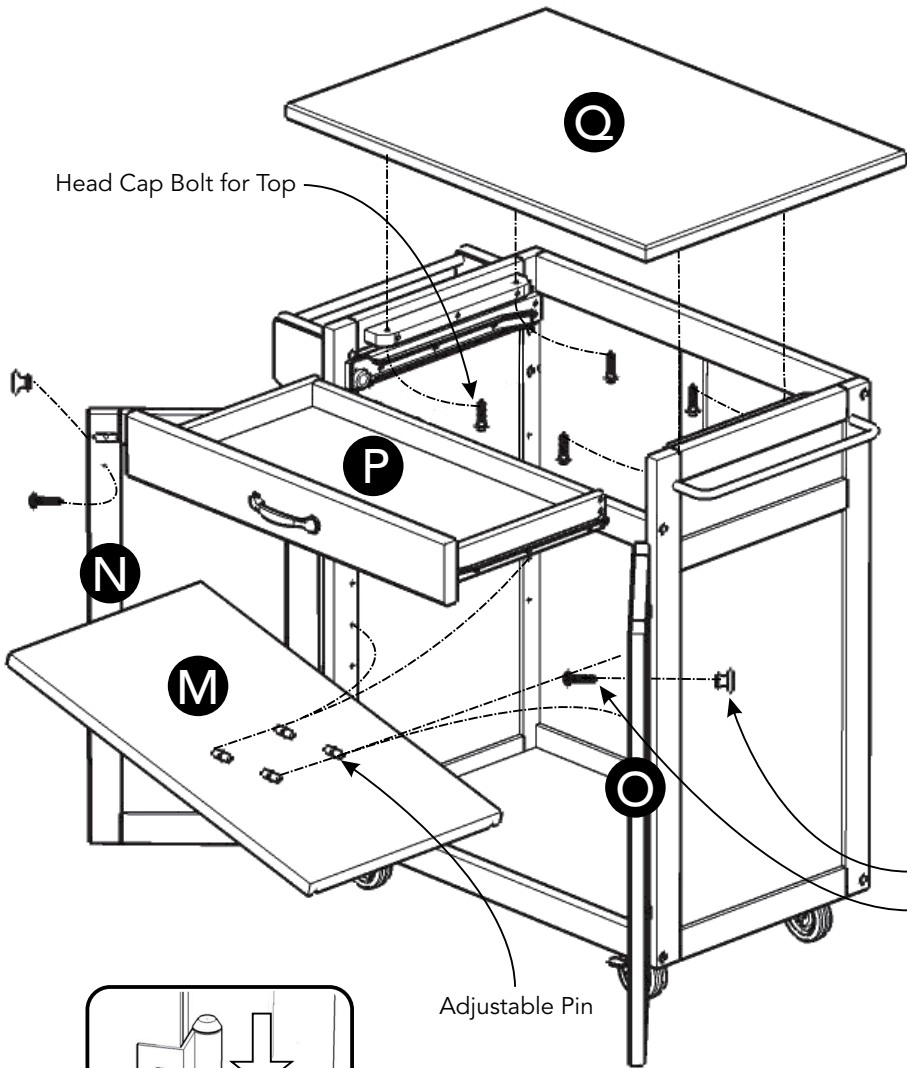


P4.  
Drawer Side  
1 pc.



P5.  
Drawer Bottom  
1 pc.

## STEP 8



Insert Adjustable Pins into side panels at desired level.

Place Shelf (M) into position.

Attach Doors (N) and (O) by sliding door hinges into side panel hinges. (See Figure 5)

Attach Knobs to Doors (N) and (O) with Machine Screws. (See Figure 6)

Attach Top (Q) to unit with Head Cap Bolts for Top.

Slide Drawer (P) into position.

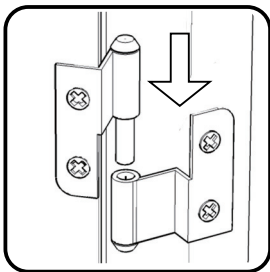


Figure 5

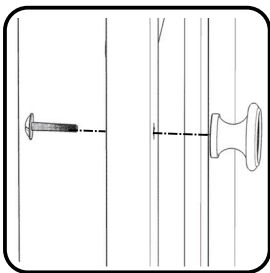
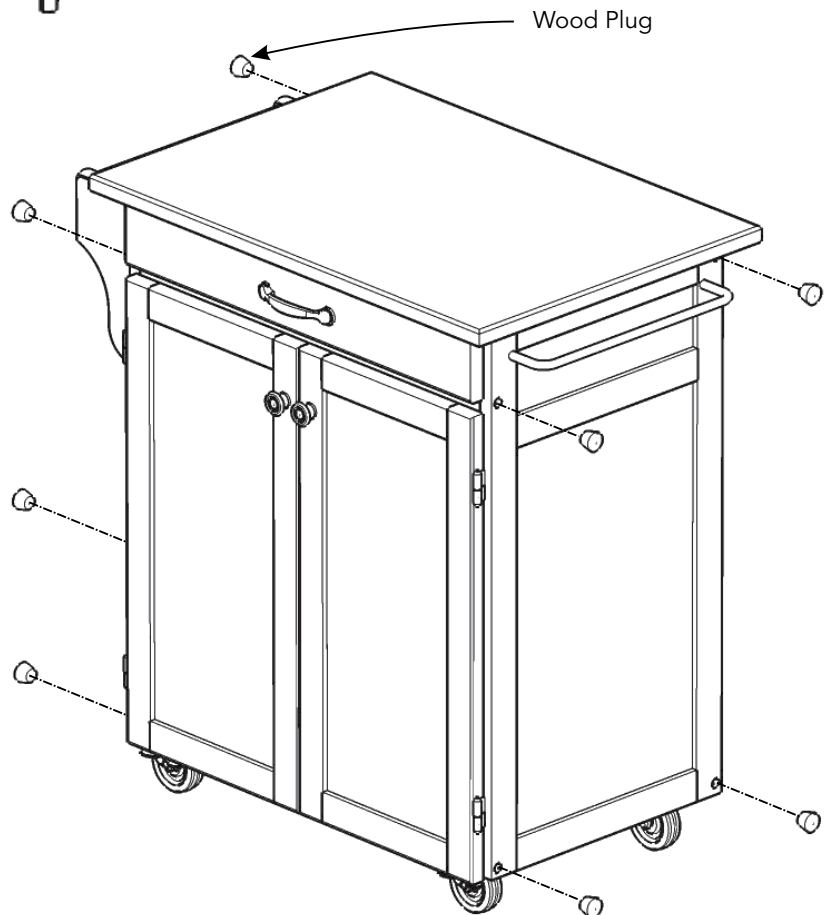


Figure 6



## STEP 9

Cover all holes with Wood Plugs.

# CARE INSTRUCTIONS

## NEVER

allow liquids to remain on furniture.  
Absorption causes parts to warp  
and split and finishes to delaminate.

## NEVER

use glass cleaners on  
finished furniture. Ammonia  
chemically attacks the finish.



Do not use power tools  
above 8 volts to assemble.

**PREVENT  
CRACKING**



Do not place  
in direct sunlight.

**PREVENT  
FADING**



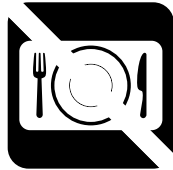
Do not write  
directly on surface.

**PREVENT  
MARKING**



Do not place hot  
objects on surface.

**PREVENT  
FINISH DAMAGE**



Do not use rubber  
based placemats.

**PREVENT  
DISCOLORING**



Do not use commercial  
waxes and polishes.

**PREVENT  
YELLOWING**

## CLEAN

with a soft cloth moistened  
in lukewarm soap and water.  
Buff with a dry clean cloth.



Home Styles will provide replacements free of charge for missing or damaged hardware or parts within 30 days of purchase. Digital images of the defective parts may be required. If the product was not purchased from an authorized retail affiliate, Home Styles is under no obligation to provide replacement parts. Parts are not available for fully assembled items nor are parts available for sale. Replacements for missing or damaged hardware or parts may be requested at:

[www.homestyles-furniture.com/customer-service/replacement-parts](http://www.homestyles-furniture.com/customer-service/replacement-parts)

Home Styles Customer Service: [www.homestyles-furniture.com](http://www.homestyles-furniture.com),  
[servicedesk@homestyles-furniture.com](mailto:servicedesk@homestyles-furniture.com), 888-680-7460, 877-831-0319