



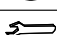
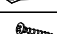


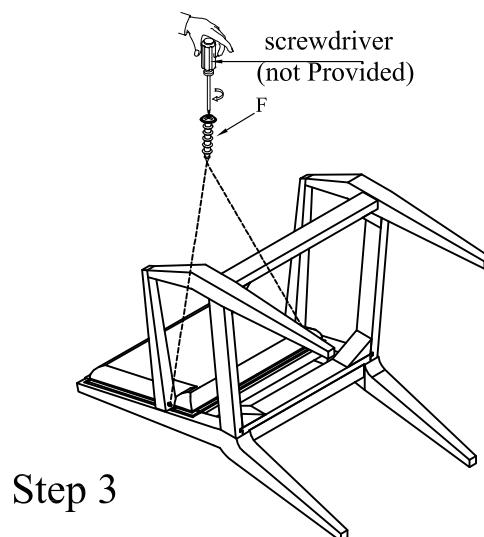
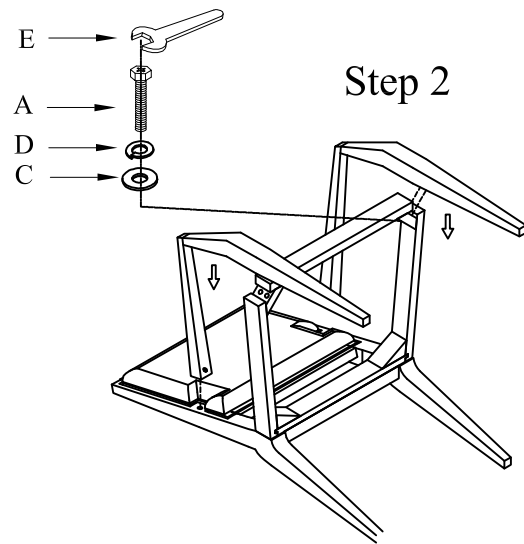
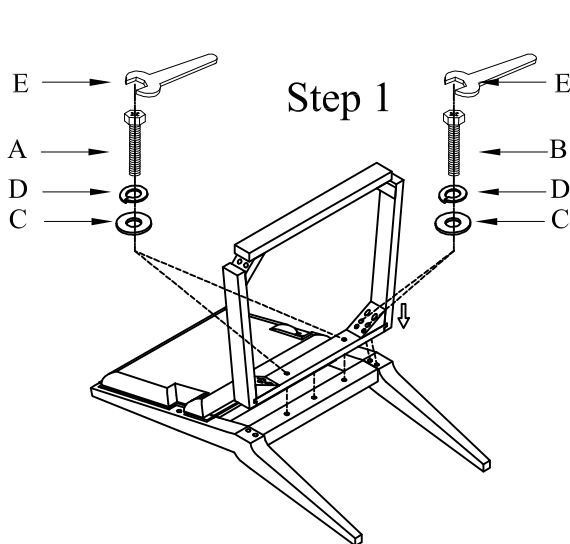
Item: 6150-75500-85 Linn Cove Upholstered Arm Chair
6150-75500-99 Linn Cove Upholstered Arm Chair

Thank you for purchasing this quality product. Be sure to unpack carefully looking for small parts which may have come loose during shipment.

Read all instruction and study the drawing carefully before starting the assembly process:

HARDWARE PACK

NO	DRAWING	DESCRIPTION	SIZE	Q'TY
A		Hexagonal Bolt	Φ 5/16" × 2"	6PCS
B		Hexagonal Bolt	Φ 5/16" × 3"	4PCS
C		FLAT WASHER	Φ 5/16" × 19 × 2	10PCS
D		LOCK WASHER	Φ 5/16" × 12 × 3	10PCS
E		HEX WRENCH	12mm	1PC
F		SCREW	#8 × 1-1/2"	2PCS



Note: "Before fully tightening the legs, ensure the chair is level"