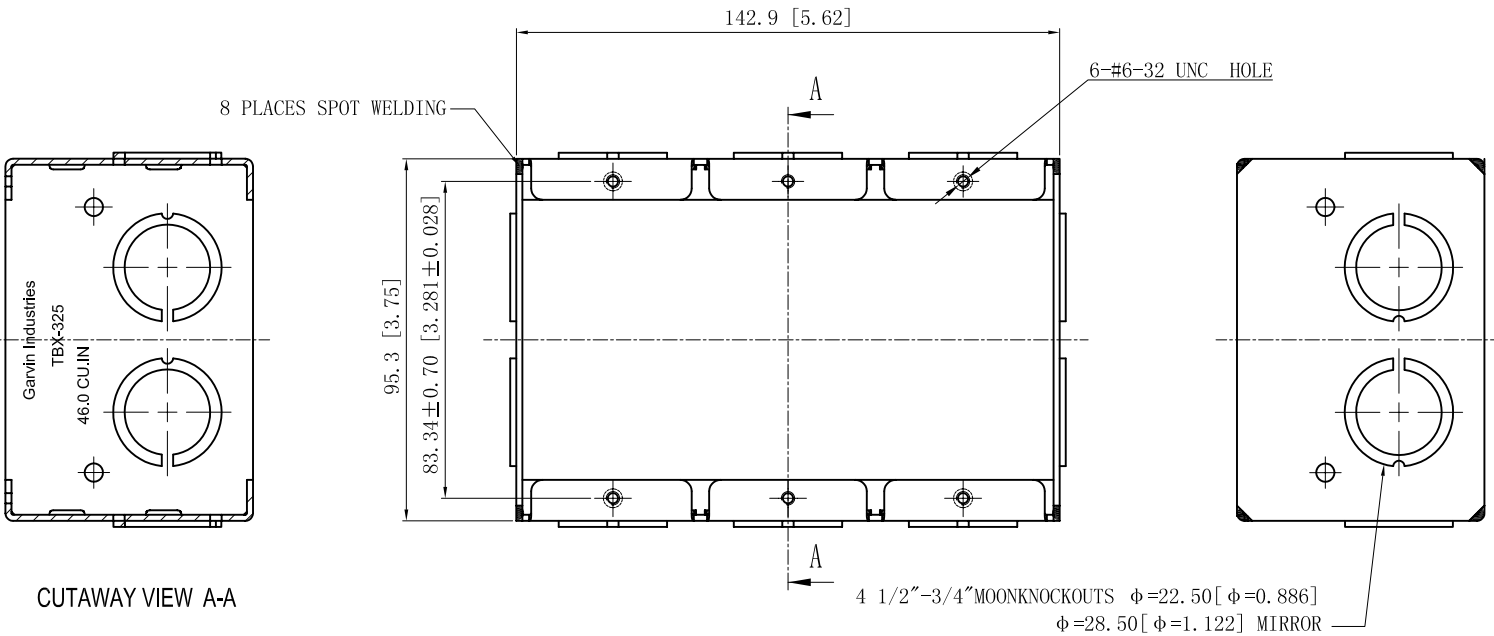
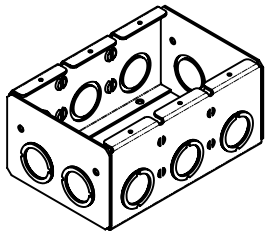
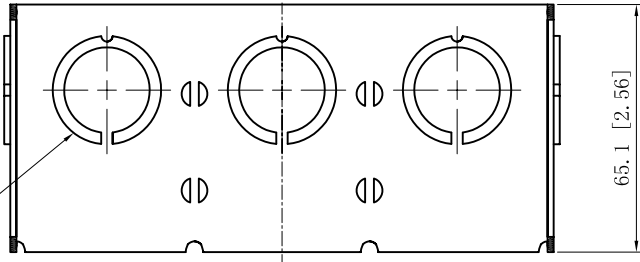


SIDES	BOTTOM
10 1/2"-3/4" MOON KNOCKOUTS	
Material: Steel-0.0625"-G60 Galvanized	

6 1/2"-3/4" MOON KNOCKOUTS $\phi=22.50$ [$\phi=0.886$]
 $\phi=28.50$ [$\phi=1.122$] MIRROR



CUTAWAY VIEW A-A

This data sheet is for reference only .GARVIN INDUSTRIES reserves the right to make changes to the design without prior notice.

DESCRIPTION
TRADE REFERENCE TERMS

STANDARD PACKING
10 PCS

GARVIN INDUSTRIES		
TITLE SOLID MASONRY BOX 2-1/2" DEEP		
SIZE A4	DWG NO. TBX-325	REV A
DATA SHEET		