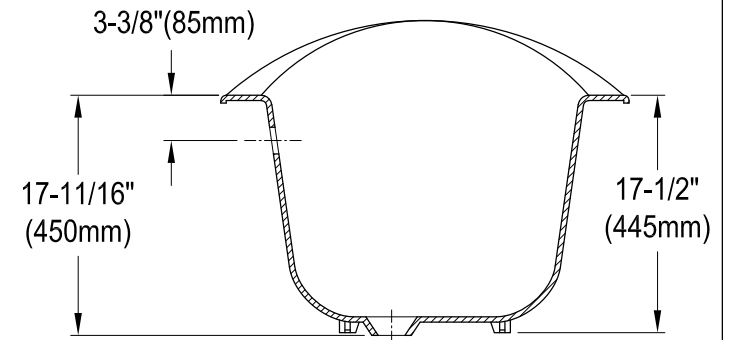
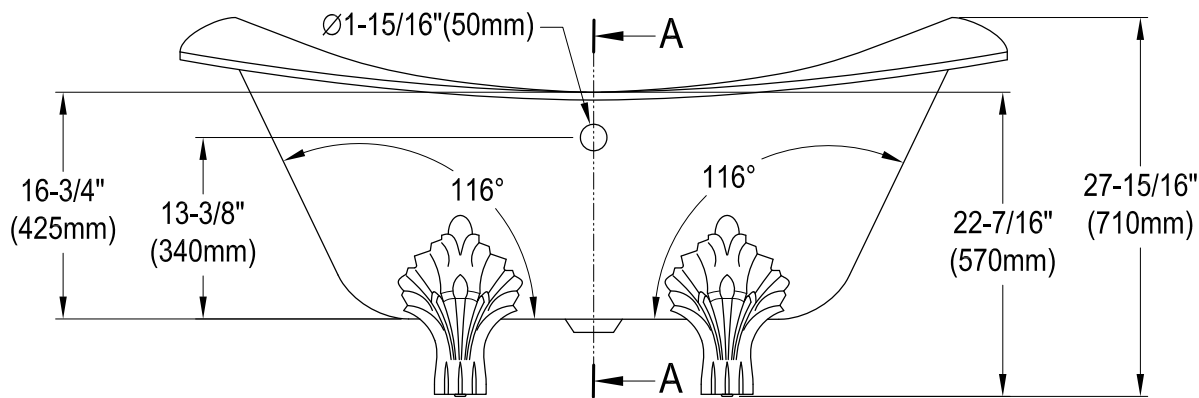
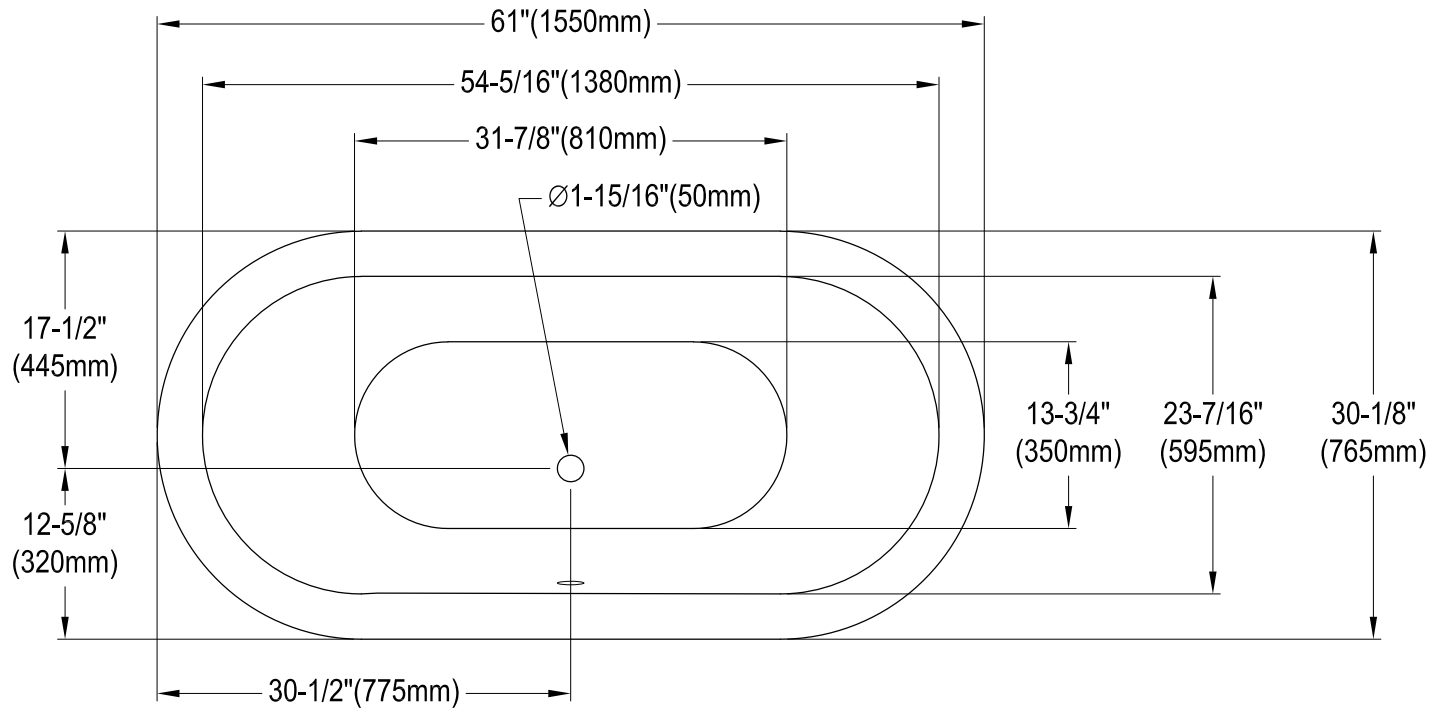


# VCTNDS6130NC0,1,5,8

61" Cast Iron Clawfoot Tub

M10 x 20 (4 pcs)



Section A-A