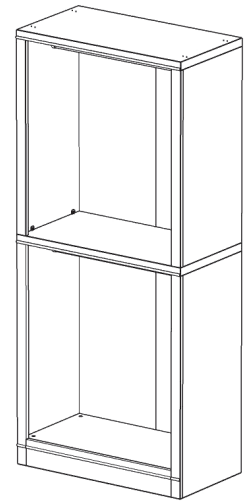


Closet Wall Hanging Unit



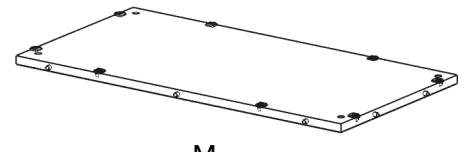
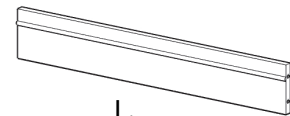
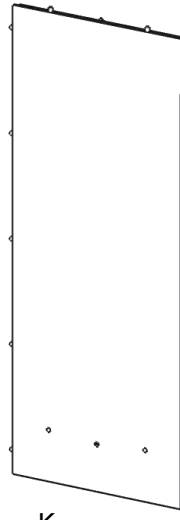
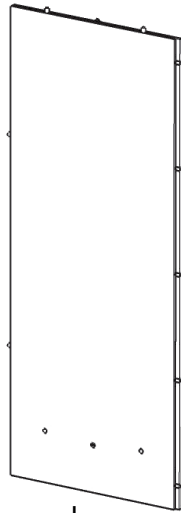
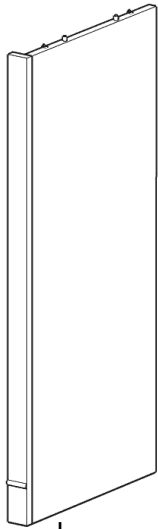
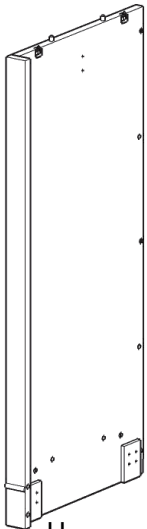
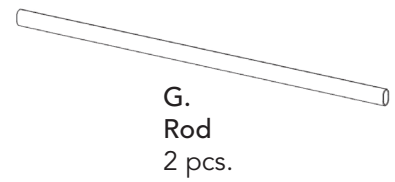
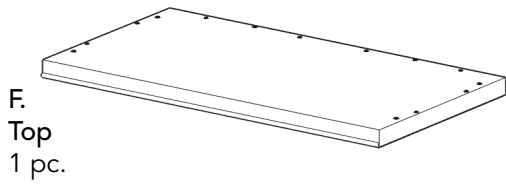
IMPORTANT

Carefully remove all the parts from the carton and place them individually on a soft cloth to prevent scratches or other damage.

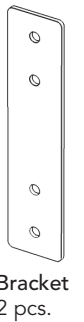
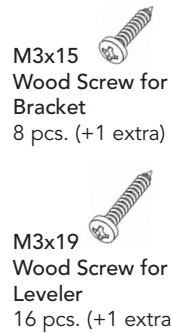
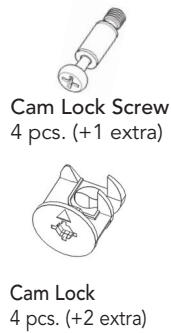
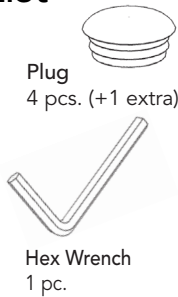
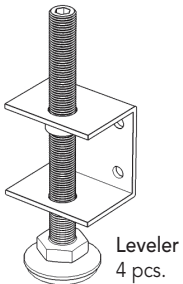
Carefully and strictly follow these assembly instructions to ensure a completed product as designed.

Do not use power tools above 8 volts to assemble.

Part List



Hardware List



Carton 20 05436 0771 is also needed for assembly.

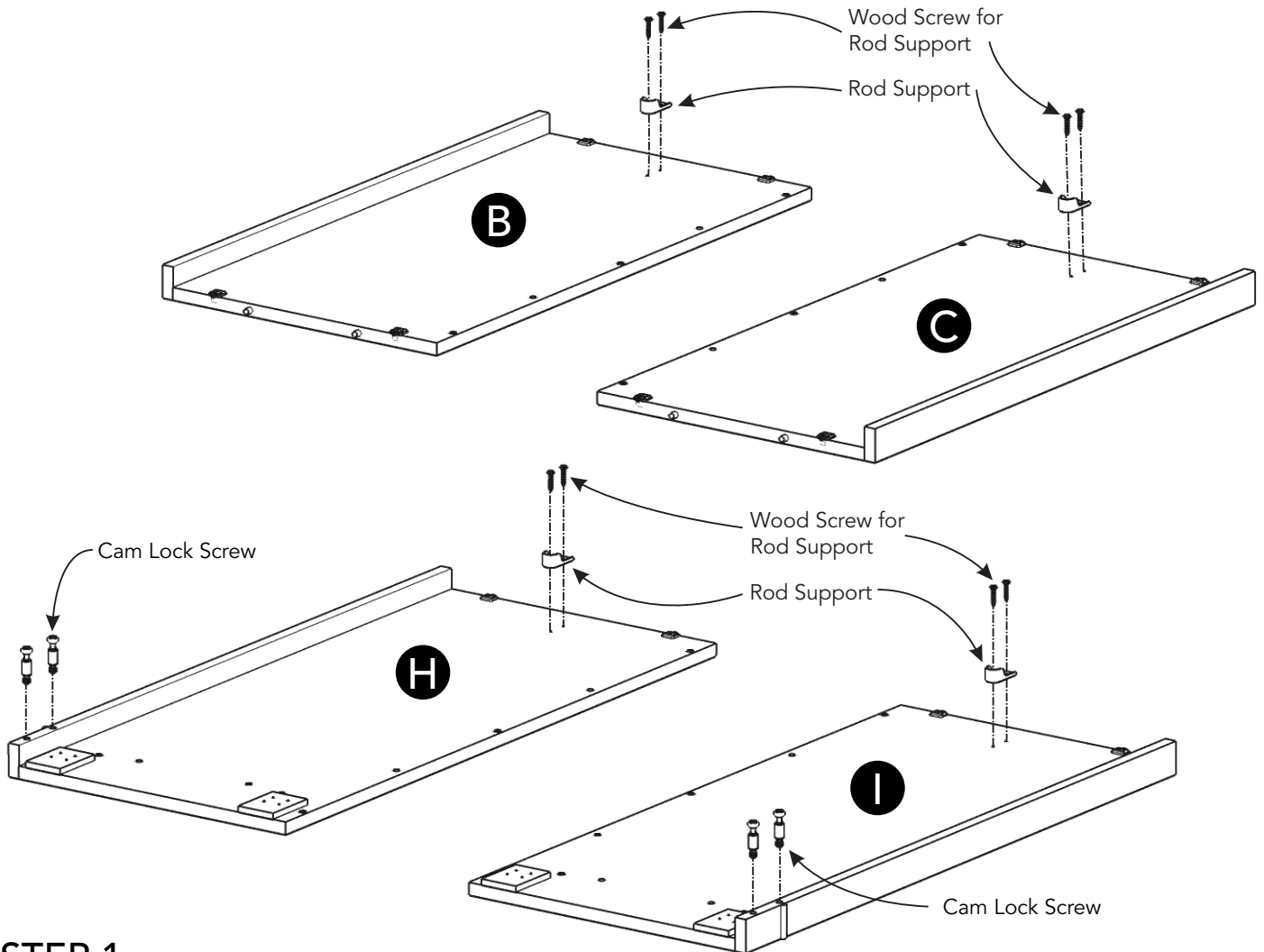
Tool(s) required for assembly: Phillips screwdriver, Level, Drill (8 volts or less), 3/8" Drill Bit

Home Styles Customer Service: www.homestyles-furniture.com,
 servicedesk@homestyles-furniture.com, 888-680-7460, 877-831-0319

Assembly Instructions 2/8

IMPORTANT

- Use a soft cloth between these parts and the floor.
- Do not use power tools above 8 volts to assemble.
- Do not tighten all the bolts until each part is properly assembled.
- The unit must be level to work properly. Use the included adjustable levelers to level.
- Keep Hex Wrench as the bolts may need to be tightened in the future.



STEP 1

Attach Rod Supports to Side Panels (B), (C), (H) and (I) with Wood Screws for Rod Support into pre-drilled holes. (See Figure 1)

Insert Cam Lock Screws into pre-drilled holes in Side Panels (H) and (I), then tighten. (See Figure 2)

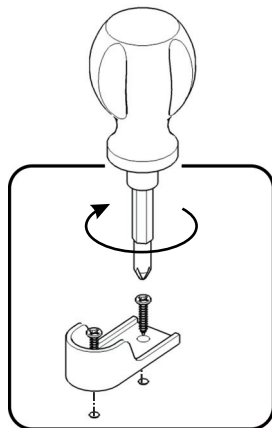


Figure 1

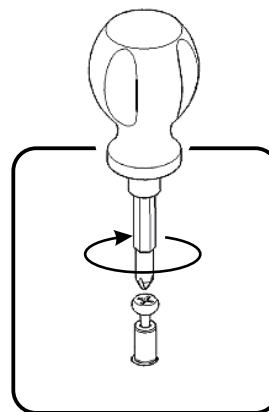
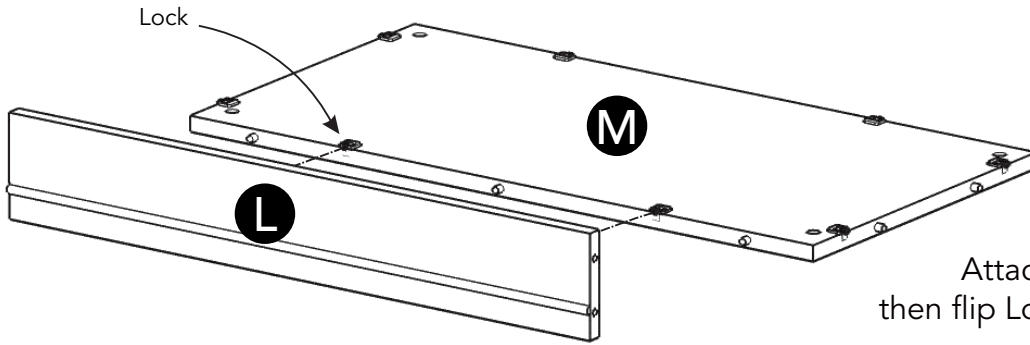


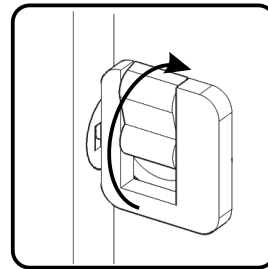
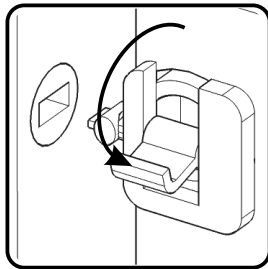
Figure 2

Assembly Instructions 3/8



STEP 2

Attach Plinth (L) to Bottom (M), then flip Locks. (See Figures 3 and 4)



STEP 3

Attach unit to Side Panel (I) with Cam Locks, then flip Locks. (See Figure 5)

Attach Back Panels (K) and (J) to unit, then flip Locks.

Attach Side Panel (H) to unit with Cam Locks, then flip Locks.

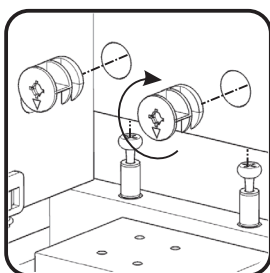
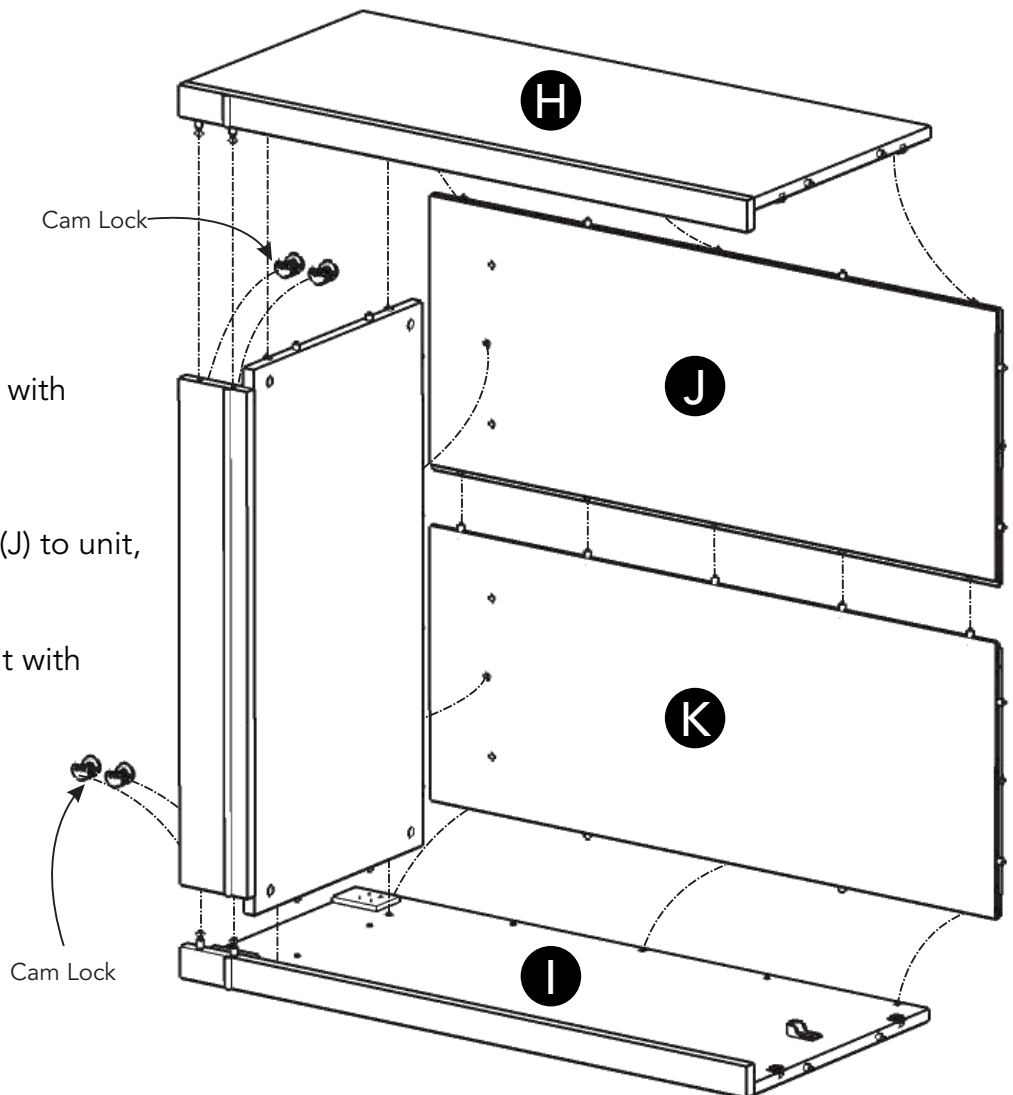


Figure 5



STEP 4

Attach Levelers to bottom of unit with Wood Screws for Levelers into pre-drilled holes. (See Figure 6)

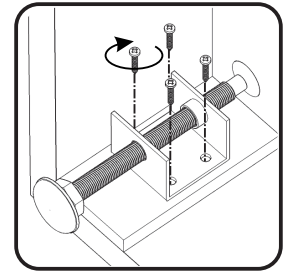
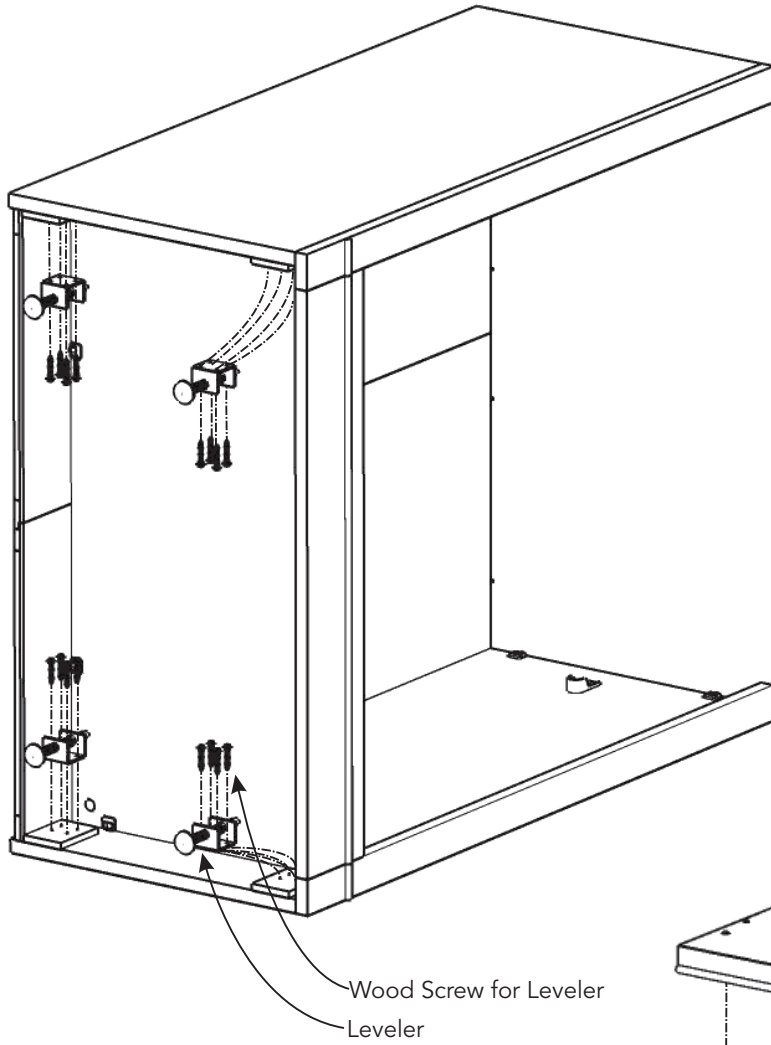
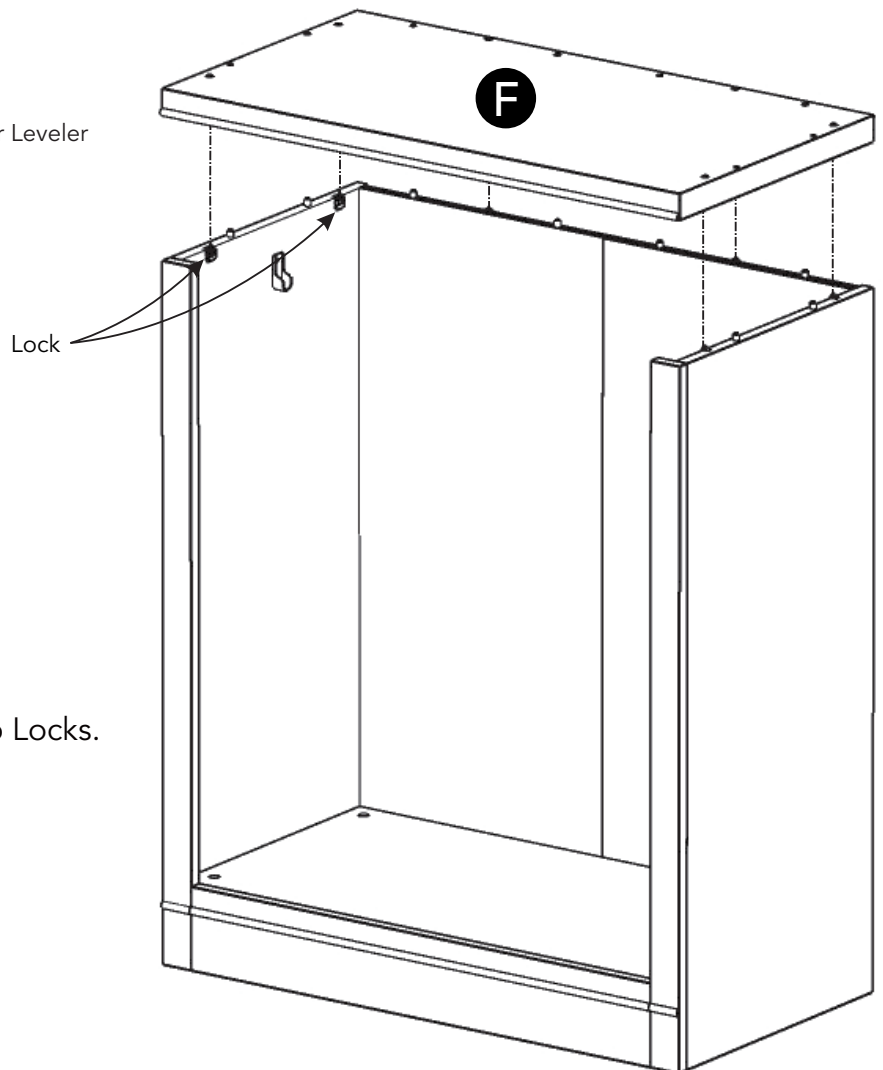


Figure 6

STEP 5

Attach Top (F) to unit, then flip Locks.

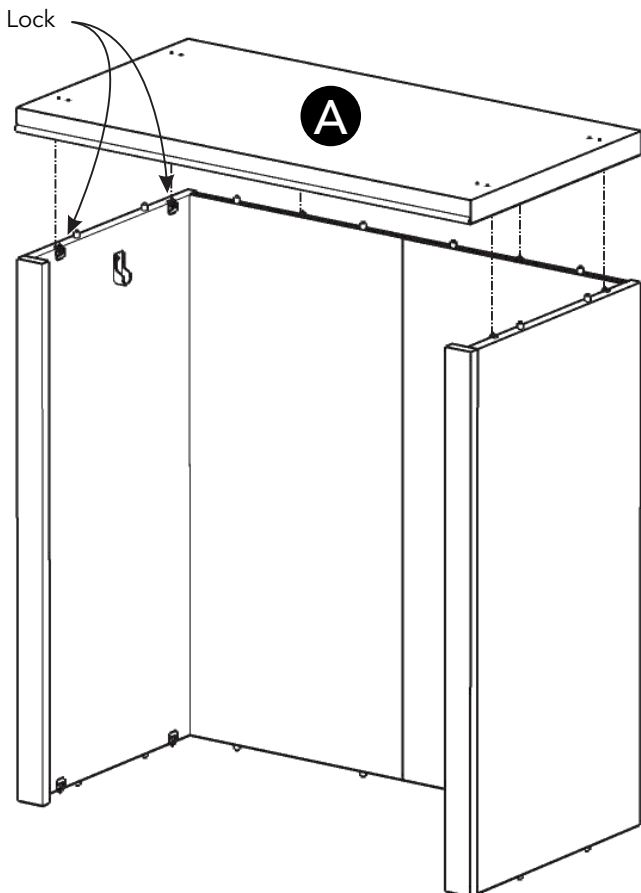
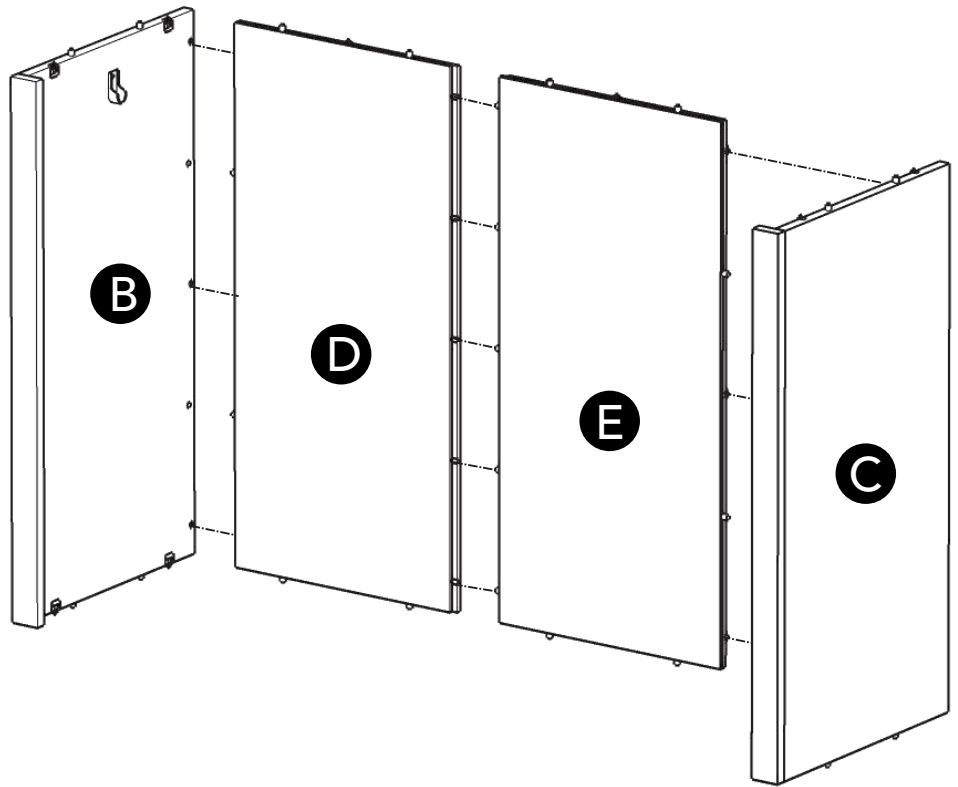


STEP 6

Attach Back Panel (D) to Side Panel (B), then flip Locks.

Attach Back Panel (E) to Side Panel (C), then flip Locks.

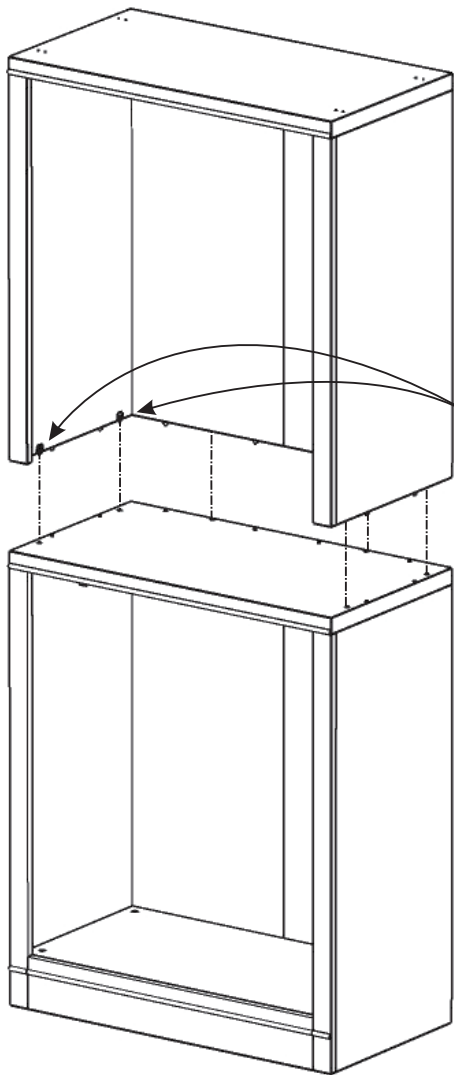
Attach unit to unit.



STEP 7

Attach Top (A) to unit, then flip Locks.

Assembly Instructions 6/8



STEP 8

Place top unit onto base unit, then flip Locks.

Lock

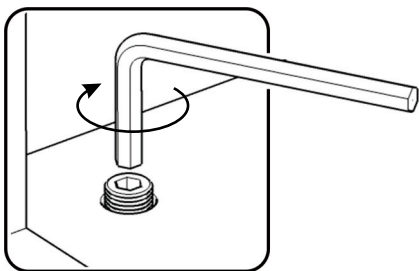
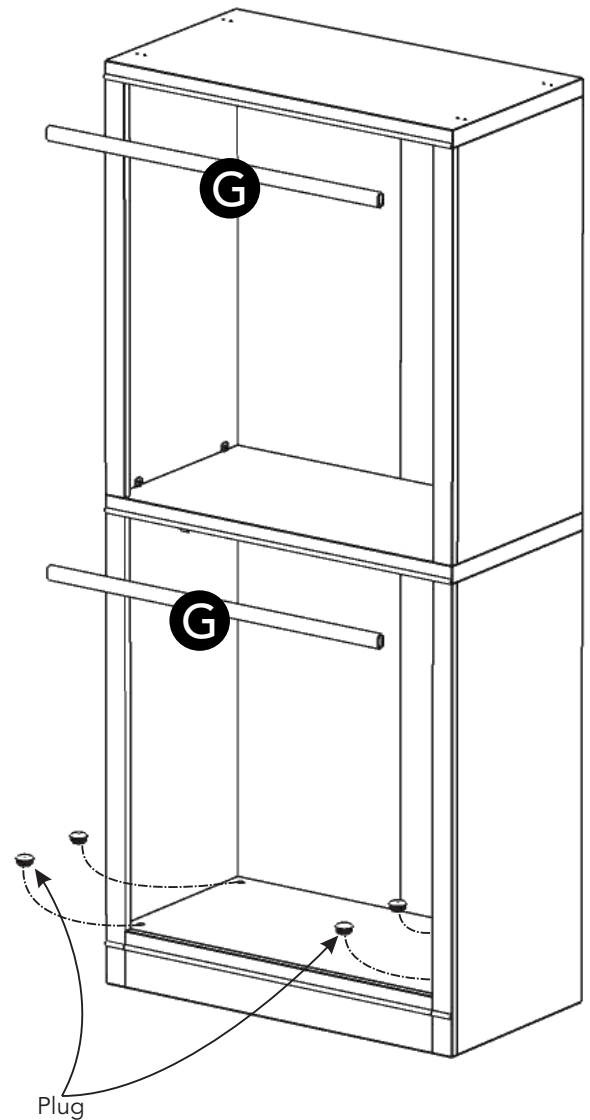


Figure 7

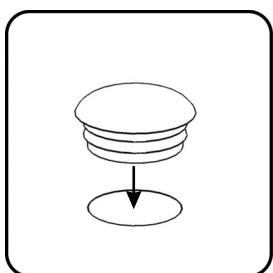


Figure 8

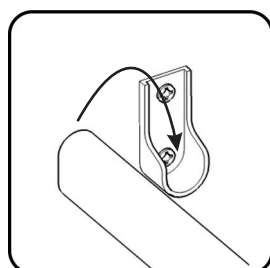


Figure 9

STEP 9

Place unit at desired location.

Note: If assembling multiple Closet Wall Units together, place all units at desired location.

Level unit(s) by adjusting the adjustable levelers on bottom of unit(s). (See Figure 7)

Note: Unit(s) must be level to proceed.

Cover all holes with Plugs. (See Figure 8)

Place Rods (G) into position. (See Figure 9)

Assembly Instructions 7/8

IMPORTANT

To help reduce the risk of the unit tipping over, the Tip-over Restraint must be installed following these instructions exactly.

STEP 10

Place unit at desired location.

Drill a 3/8" hole in wall in-line with the pre-drilled hole at top of unit.

Move unit.

Insert Anchor into the wall hole and attach Bracket with Wall Screw.

Attach Bracket at pre-drilled hole at top of unit with Wood Screw.

Move unit back into place.

If assembling multiple Closet Wall Units together, go to and complete Step 11 now, then return to and complete Step 10.

Slide Tip-over Restraint through Bracket on wall and Bracket on unit.
(See Figure 10)

Put tie end of Tip-over Restraint into lock end of Tip-over Restraint and pull until tight.

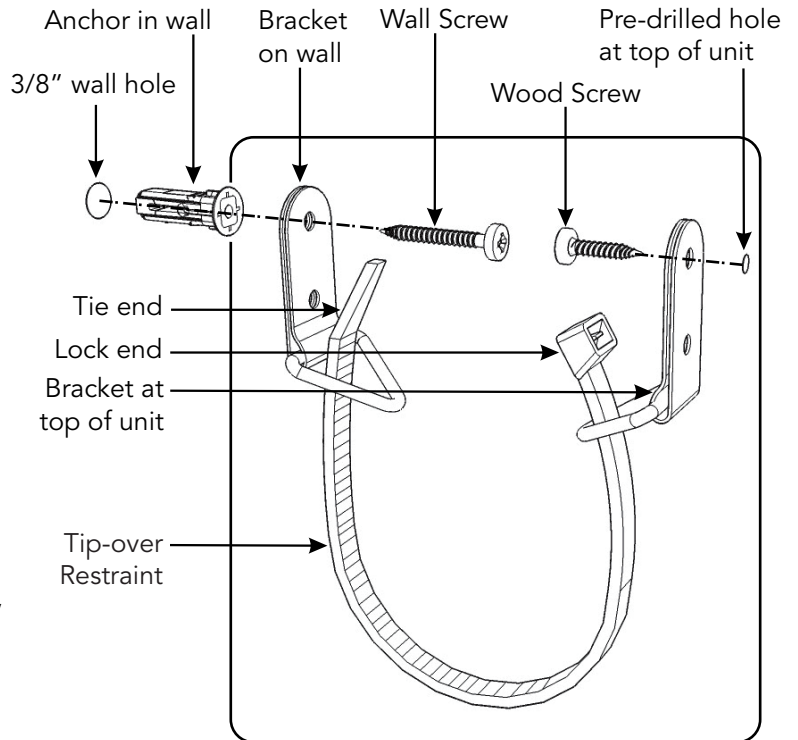
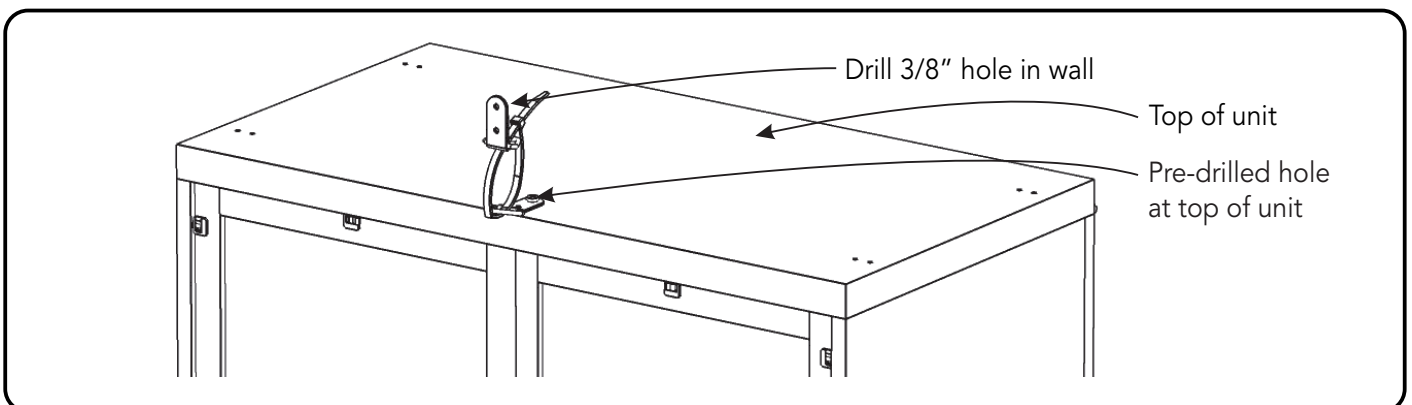
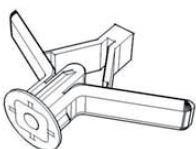


Figure 10



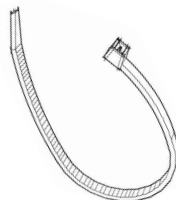
Hardware List



Anchor
1 pc. (+1 extra)



Bracket
2 pcs. (+1 extra)



Tipover Restraint
1 pc. (+1 extra)

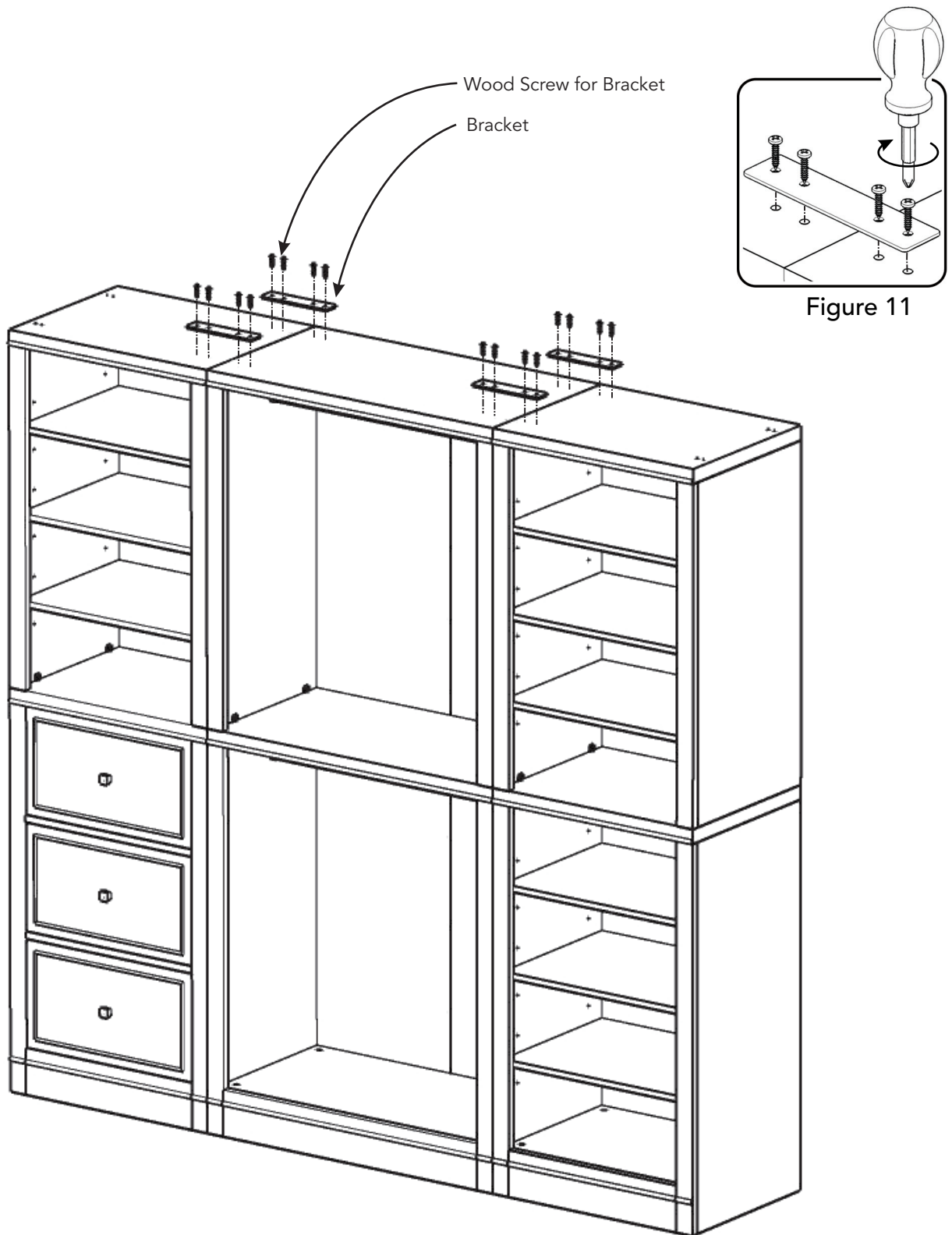


M3.5x40
Wall Screw
1 pc. (+1 extra)



M3.5x16
Wood Screw
1 pc. (+1 extra)

Assembly Instructions 8/8



STEP 11

Note: If assembling multiple Closet Wall Units together, complete Step 11.

Attach tops of units together with Brackets and Wood Screws for Brackets into pre-drilled holes. (See Figure 11)

Return to and complete Step 10.

CARE INSTRUCTIONS

NEVER

allow liquids to remain on furniture.
Absorption causes parts to warp
and split and finishes to delaminate.

NEVER

use glass cleaners on
finished furniture. Ammonia
chemically attacks the finish.



Do not use power tools
above 8 volts to assemble.

**PREVENT
CRACKING**



Do not place
in direct sunlight.

**PREVENT
FADING**



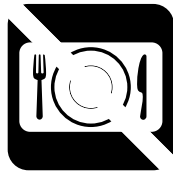
Do not write
directly on surface.

**PREVENT
MARKING**



Do not place hot
objects on surface.

**PREVENT
FINISH DAMAGE**



Do not use rubber
based placemats.

**PREVENT
DISCOLORING**



Do not use commercial
waxes and polishes.

**PREVENT
YELLOWING**

CLEAN

with a soft cloth moistened
in lukewarm soap and water.
Buff with a dry clean cloth.



Home Styles will provide replacements free of charge for missing or damaged hardware or parts within 30 days of purchase. Digital images of the defective parts may be required. If the product was not purchased from an authorized retail affiliate, Home Styles is under no obligation to provide replacement parts. Parts are not available for fully assembled items nor are parts available for sale. Replacements for missing or damaged hardware or parts may be requested at:

www.homestyles-furniture.com/customer-service/replacement-parts

Home Styles Customer Service: www.homestyles-furniture.com,
servicedesk@homestyles-furniture.com, 888-680-7460, 877-831-0319