

## DESCRIPTION

- Metal construction with various finishes identified by suffix
- 1/2" IPS connections
- Includes sidespray with Durlock™ quick connect installation
- Sidespray plug included for optional sidespray

## OPERATION

- Levers included
- Hot side counterclockwise to open (clockwise to close)
- Cold side clockwise to open (counterclockwise to close)

## FLOW

- Aerator is limited to 1.5 gpm max. (5.7 L/min)

## CARTRIDGE

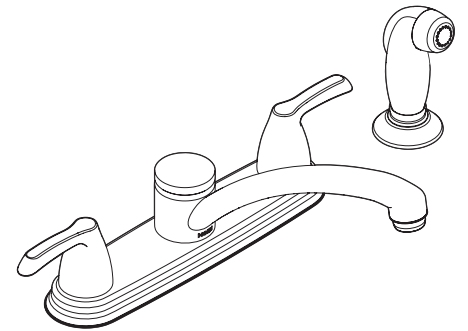
- 1224 cartridge design
- Non-metallic and stainless materials

## STANDARDS

- Third party certified to ASME A112.18.1/CSA B-125.1 and all applicable requirements referenced therein including NSF 61/9 & 372
- Meets Georgia SB370 requirements
- Complies with California Proposition 65 and with the Federal Safe Drinking Water Act
- ADA ♿ for lever handles

## WARRANTY

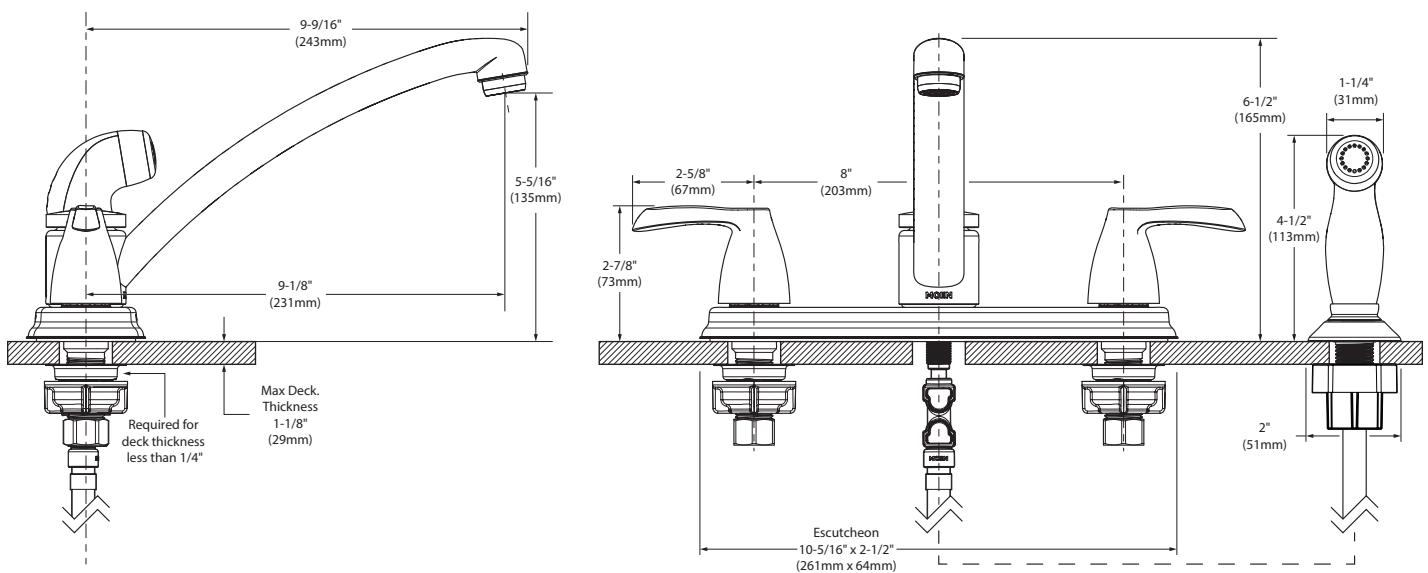
- Lifetime limited warranty against leaks, drips and finish defects to the original homeowner
  - 10 year limited warranty when used in a multifamily installation
  - 5 year limited warranty when used in a commercial installation
- Visit [www.moen.com/support](http://www.moen.com/support) for complete details and limitations



## Adler™ Two-Handle Lever Style Kitchen Faucet with Protégé Side Spray

Models: 87046 series

**NOTE:** THIS FAUCET IS DESIGNED  
TO BE INSTALLED THROUGH  
3 OR 4 HOLES,  
1" (25MM) MIN. DIA.



## CRITICAL DIMENSIONS

(DO NOT SCALE)