

A

B

C

D

E

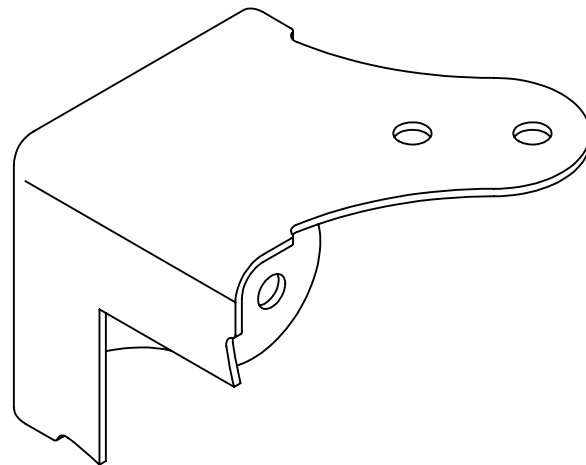
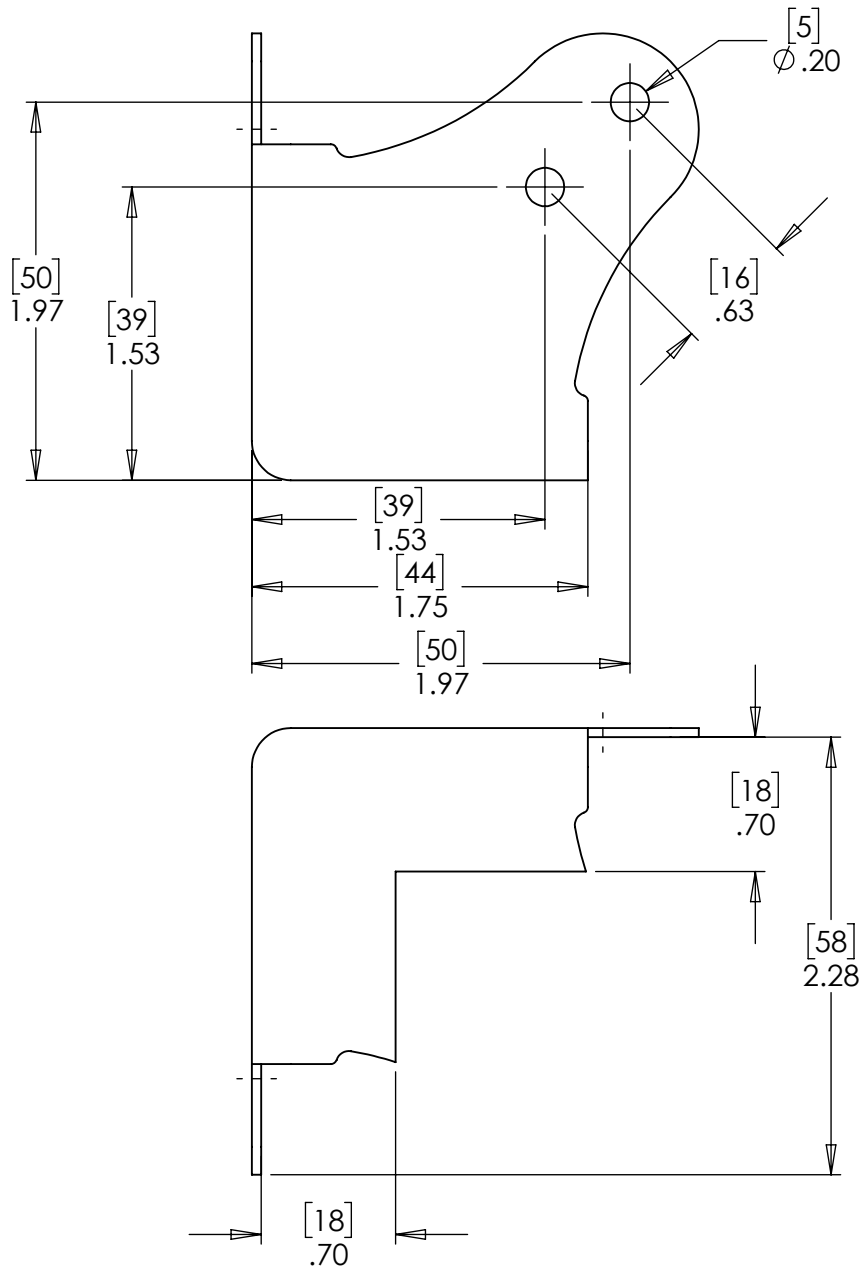
F

1

2

3

4



1


2

3

4

NOTES:

- 1. - ALL DIMENSIONS ARE IN INCHES [MILLIMETERS]
- 2. - MATERIAL: STEEL
- 3. - FINISH: BRIGHT ZINC PLATE

THE INFORMATION CONTAINED IN THIS DRAWING IS THE SOLE PROPERTY OF TRANS CONTINENTAL HARDWARE. ANY REPRODUCTION IN PART OR AS A WHOLE WITHOUT THE WRITTEN PERMISSION OF TRANS CONTINENTAL HARDWARE IS PROHIBITED.			
 TRANS CONTINENTAL HARDWARE			
PART NAME LARGE FLAT NOTCHED CORNER			
MATERIAL STEEL			
DRAWING NO. 502-1036N800		REVISION NO.	
DATE 7/9/2018	SCALE 1:1	THIRD ANGLE PROJECTION DRAWING	
ALL DIMENSIONS WITHOUT TOLERANCES ARE REFERENCE			
SPECIFICATION SUBJECT TO CHANGE WITHOUT NOTICE			

A

A

B

C

D

E

F