

1/4" Air Cock, Lever Handle

-FNPT x MNPT Hexagon Shoulder

-FNPT x FNPT Round Shoulder

Job Name	_____
Location	_____
Engineer	_____
Contractor	_____
Tag	_____ PO# _____

Specifications

- Lever Handle
- Spring Bottoms

Materials

Brass

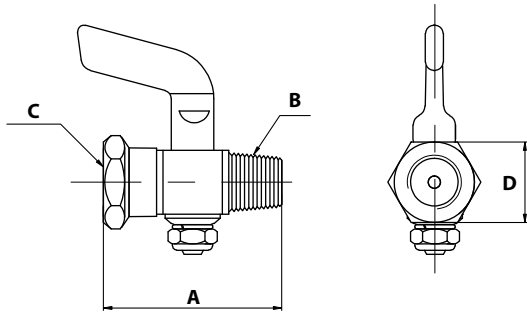
Dimensions and Product Offering

PART NO.	A	B	C	D
A11001	1.65"	1/4 MNPT	1/4 FNPT	.75" sq
A11004	1.63"	Φ 0.72"	1/4 FNPT	N/A



A11001

FNPT x MNPT Hexagon Shoulder



A11004

FNPT x FNPT Round Shoulder

