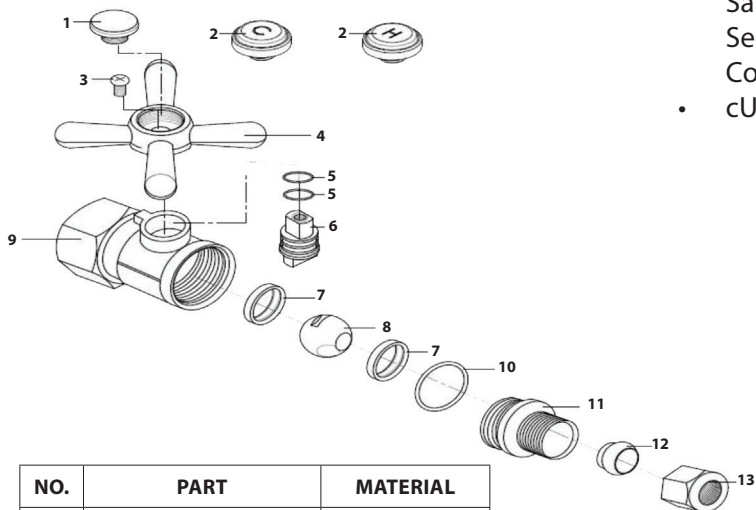


1/2" FIP X 3/8" OD COMP QUARTER-TURN STRAIGHT SUPPLY STOP VALVE WITH CROSS HANDLE

- Quarter-turn cross style handle
- Straight stop design typically used when water supply pipe comes up from the floor
- Includes hot, cold and blank buttons
- Lead Law Compliant
- Meets or exceeds NSF/ANSI 372-2016, NSF/ANSI 61-2016, ASME A112.18.1-2018/CSA B125.1-18, Safe Drinking Water Act Section 1417(d) and Section 116875 of the California Health & Safety Code
- cUPC listed



PART NO.	FINISH
S43021	Chrome Plated
S4302BN	Brushed Nickel
S4302PB	Polished Brass
S4302RB	Oil Rubbed Bronze
S4302WB	Old World Bronze

NO.	PART	MATERIAL
1	Unmarked Top Cap	Brass
2	C & H Top Caps	Brass & Ceramic
3	Screw	Stainless
4	Handle	Zinc
5	O-Ring	Rubber
6	Stem	Brass
7	Seat	Teflon
8	Ball	Brass
9	Body	Brass
10	O-Ring	Rubber
11	End Plug	Brass
12	3/8" Sleeve	Brass
13	3/8" Nut	Brass

