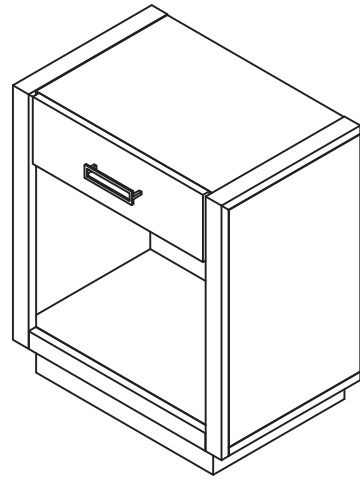


Night Stand



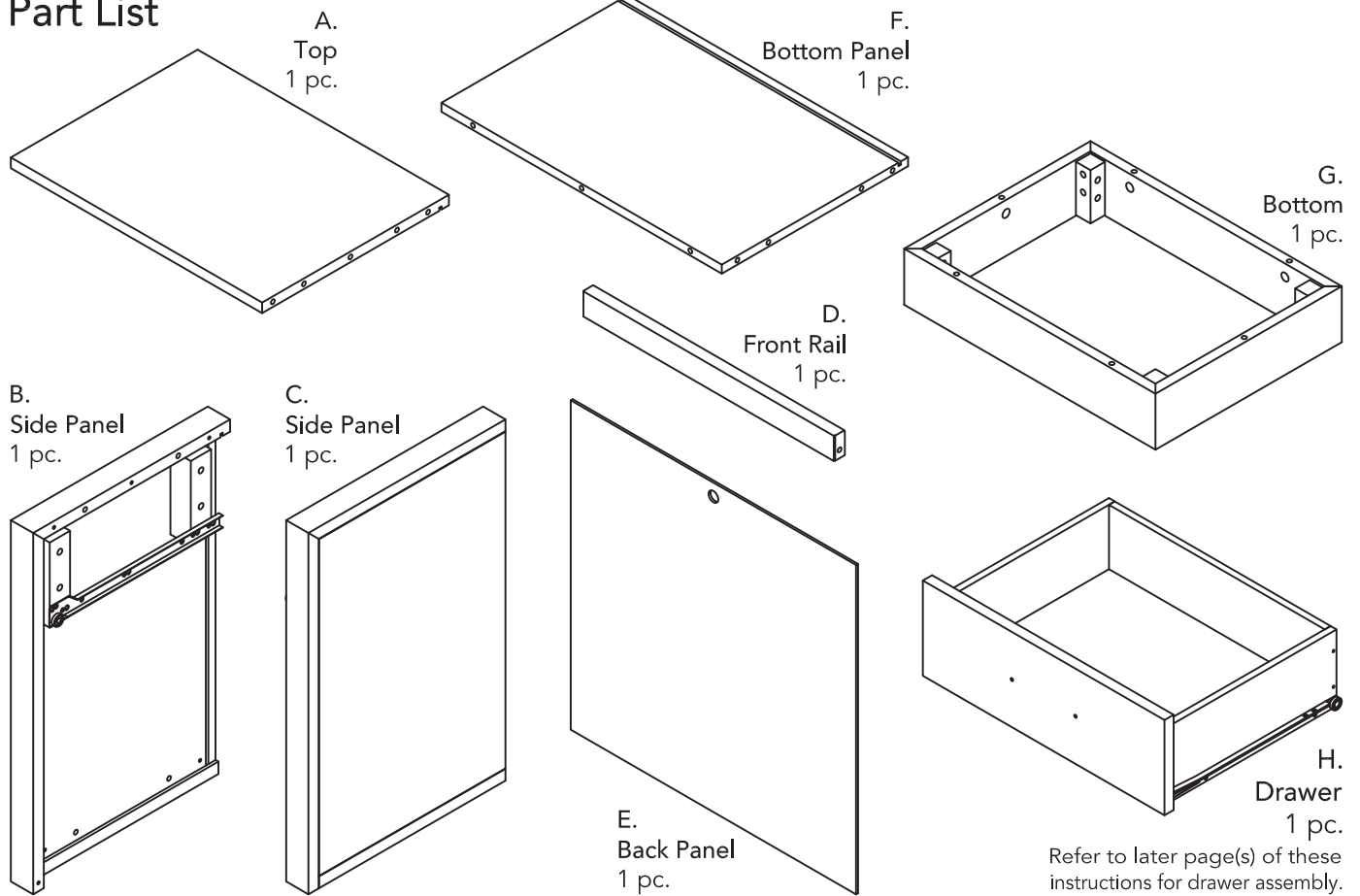
IMPORTANT

Carefully remove all the parts from the carton and place them individually on a soft cloth to prevent scratches or other damage.

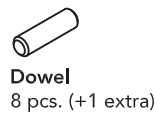
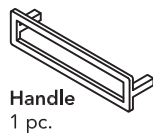
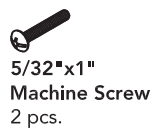
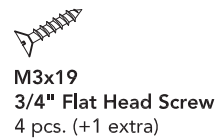
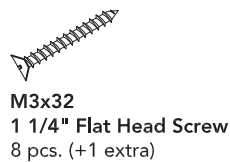
Carefully and strictly follow these assembly instructions to ensure a completed product as designed.

Do not use power tools above 8 volts to assemble.

Part List



Hardware List



Tool(s) required for assembly: Phillips screwdriver, Level, Pencil, Drill (8 volts or less), 3/8" Drill Bit

Home Styles Customer Service: www.homestyles-furniture.com,
servicedesk@homestyles-furniture.com, 888-680-7460, 877-831-0319

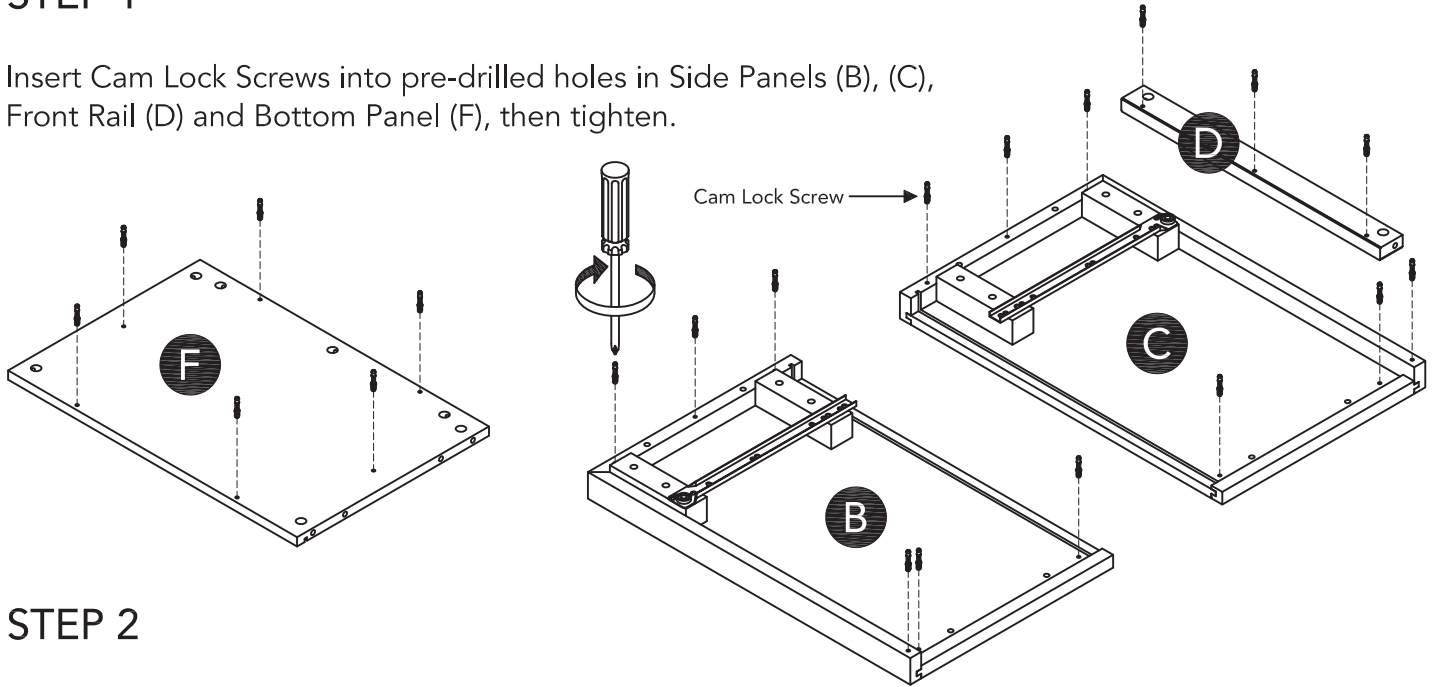
Assembly Instructions 2/7

IMPORTANT

- Use a soft cloth between these parts and the floor.
- Do not use power tools above 8 volts to assemble.
- Do not tighten all the screws until each part is properly assembled.
- The unit must be level to work properly. Use the included adjustable levelers to level.

STEP 1

Insert Cam Lock Screws into pre-drilled holes in Side Panels (B), (C), Front Rail (D) and Bottom Panel (F), then tighten.



STEP 2

Attach Front Rail (D) to Bottom Panel (F) with Cam Locks. (See Figure 1)

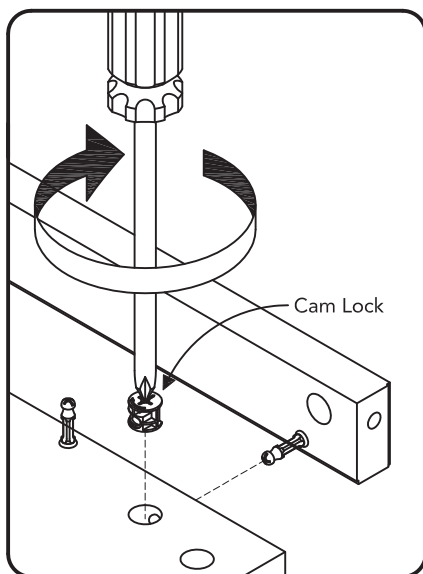
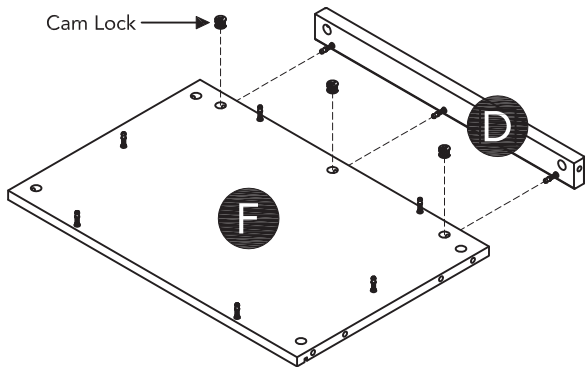
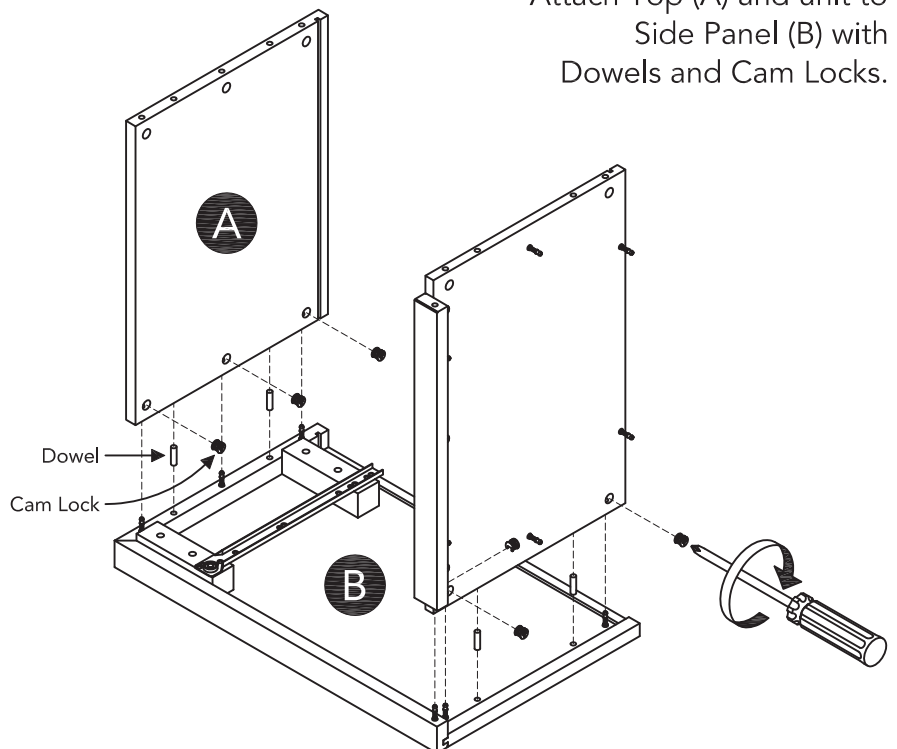


Figure 1

STEP 3

Attach Top (A) and unit to Side Panel (B) with Dowels and Cam Locks.

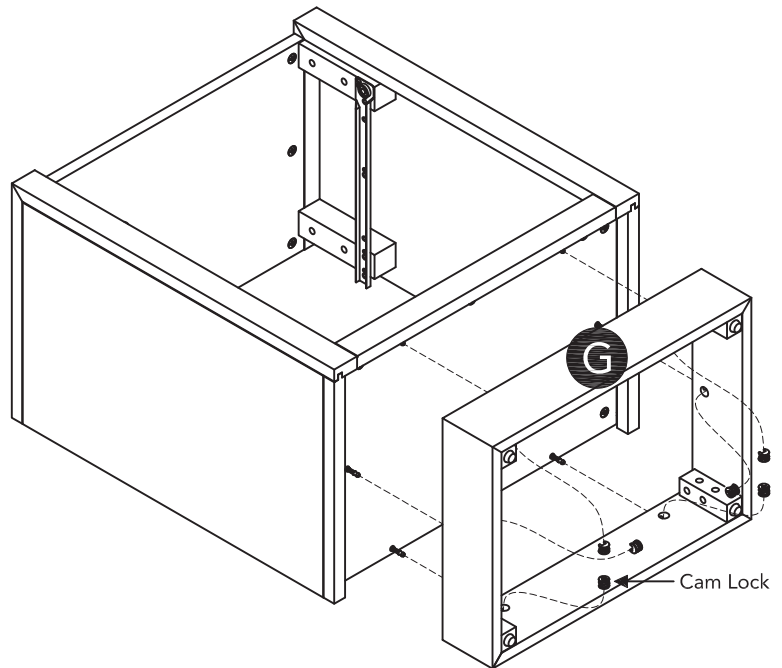
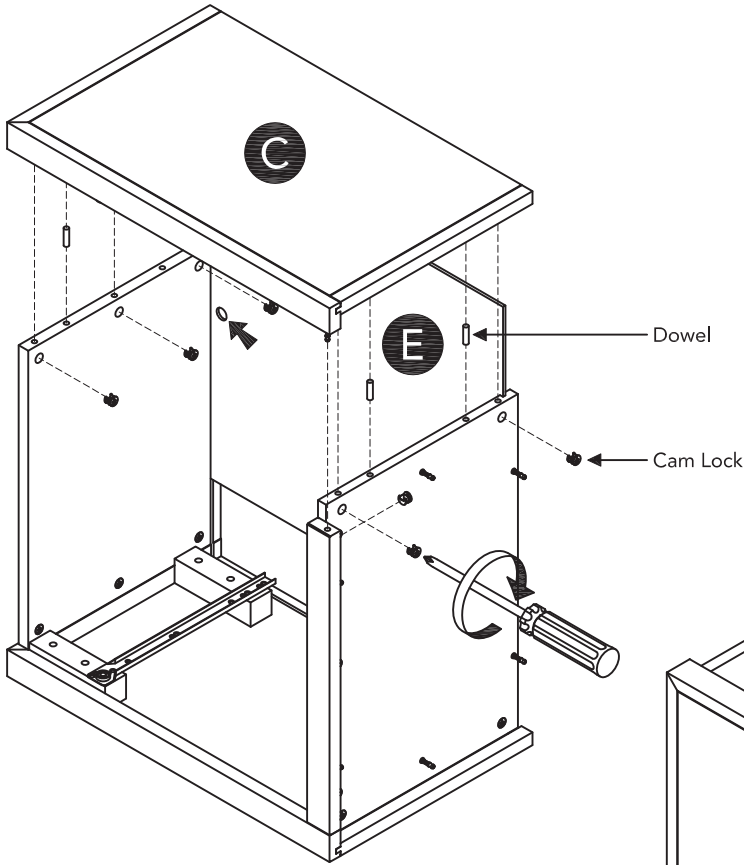


Assembly Instructions 3/7

STEP 4

Slide Back Panel (E) into groove.

Attach Side Panel (C) to unit with Dowels and Cam Locks.



STEP 5

Attach Bottom (G) to unit with Cam Locks.

STEP 6

Turn unit to its upright position.

Attach Wedges to unit with 1/2" Flat Head Screws. (See Figure 2)

Level unit by adjusting the adjustable levelers on bottom of unit. (See Figure 3)

Note: Unit must be level to work properly.

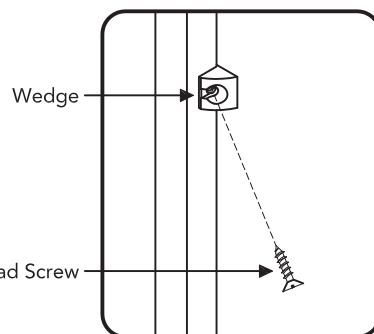
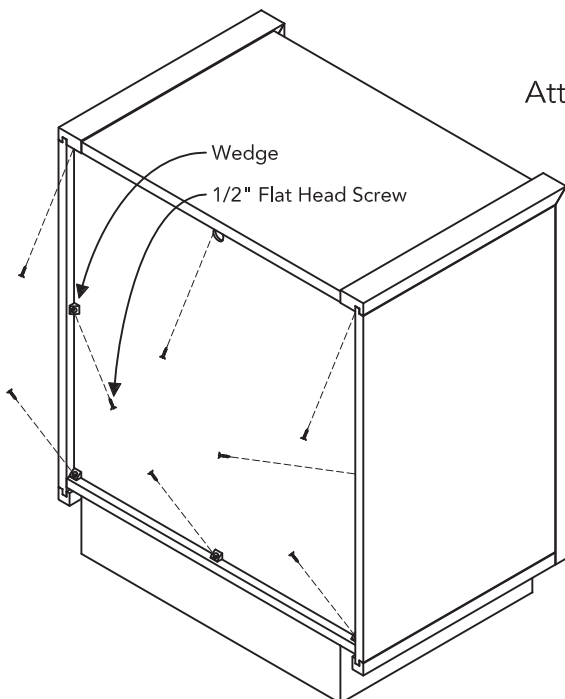


Figure 2

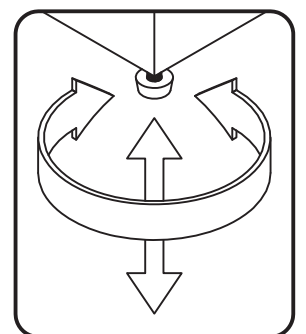


Figure 3

Assembly Instructions 4/7

IMPORTANT

- To help reduce the risk of the unit tipping over, the Tipover Restraint must be installed following these instructions exactly.

STEP 7

Place unit at desired location.

Mark wall with pencil to show position of hole in Back Panel (E). (See Figure 4)

Move unit.

Drill a 3/8" hole in wall 1" below mark.

Insert Anchor into the wall hole and attach Tipover Restraint to Anchor with 1 1/2" Round Head Screw and Flat Washer. (See Figure 5)

Move unit back into place and insert Tipover Restraint into unit through hole in Back Panel (E). (See Figure 6)

Attach Tipover Restraint to unit with 1/2" Round Head Screw and Flat Washer. (See Figure 7)

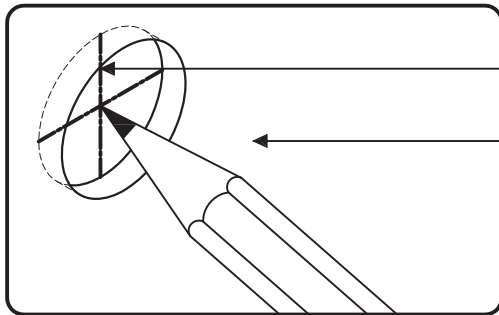
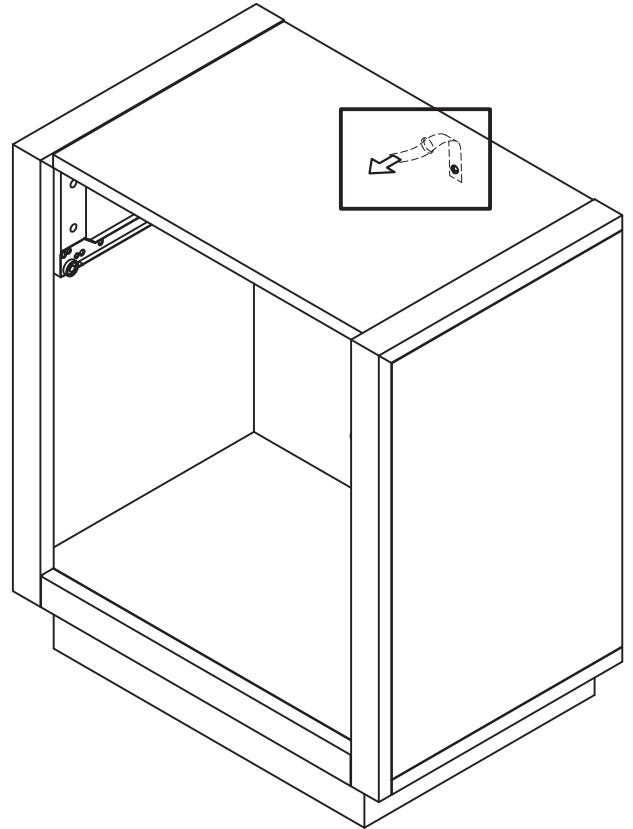


Figure 4

Pencil mark
Hole in Back Panel (E)

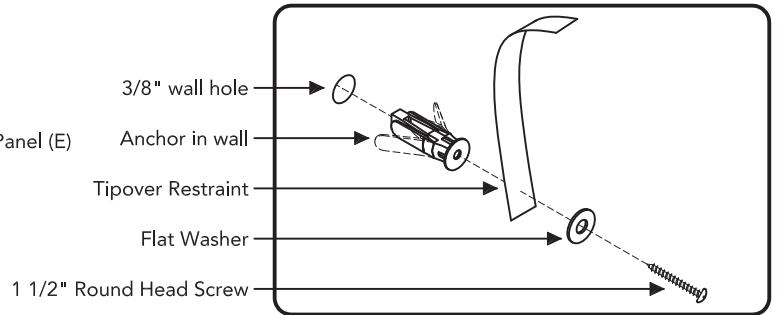


Figure 5

3/8" wall hole
Anchor in wall
Tipover Restraint
Flat Washer
1 1/2" Round Head Screw

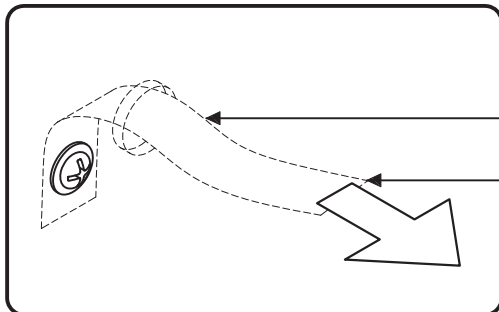


Figure 6

Hole in Back Panel (E)
Tipover Restraint

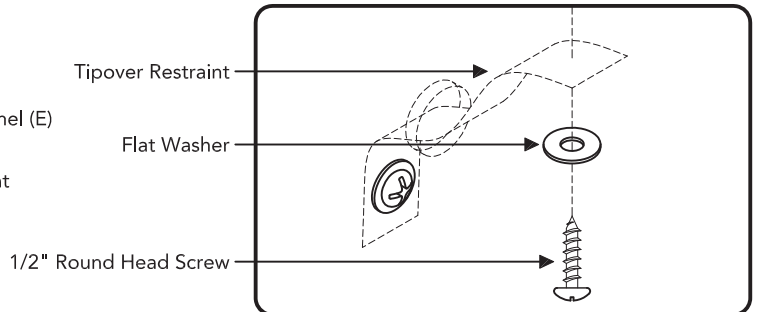
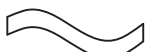


Figure 7

Tipover Restraint
Flat Washer
1/2" Round Head Screw

Hardware List



Tipover Restraint
1 pc.



Anchor
1 pc. (+1 extra)



M3x38
1 1/2" Round Head Screw
1 pc. (+1 extra)

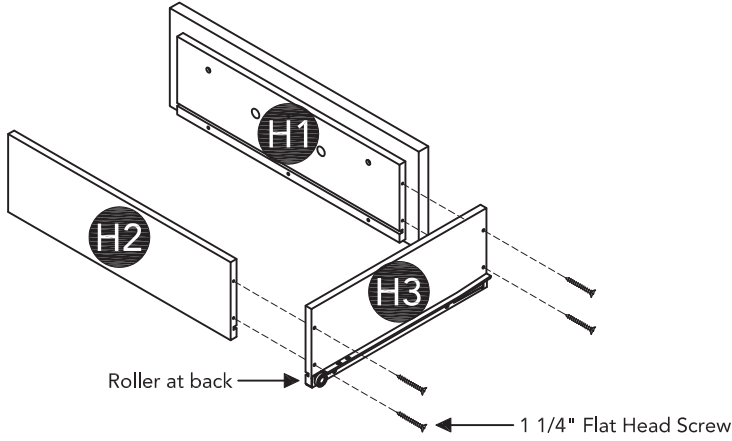


M3x13
1/2" Round Head Screw
1 pc. (+1 extra)



Flat Washer
2 pcs. (+1 extra)

Drawer (H)



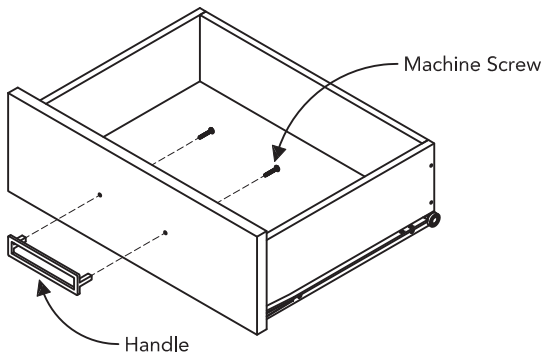
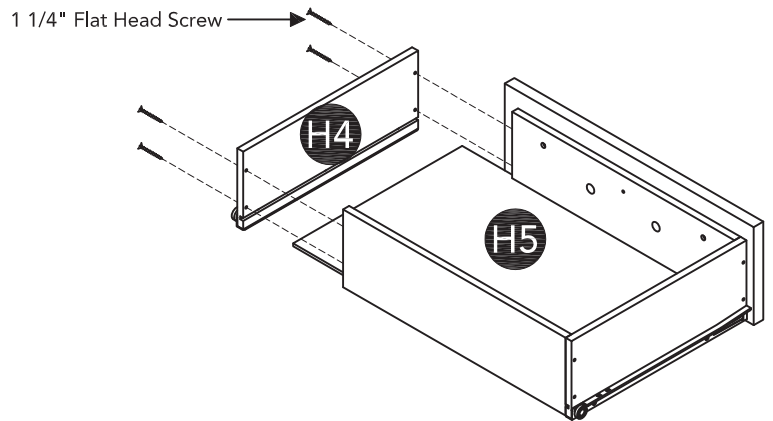
STEP 8

Attach Drawer Side (H3) to Drawer Front (H1) and Drawer Back (H2) with 1 1/4" Flat Head Screws.

STEP 9

Insert Drawer Bottom (H5) into groove.

Attach Drawer Side (H4) to unit with 1 1/4" Flat Head Screws.

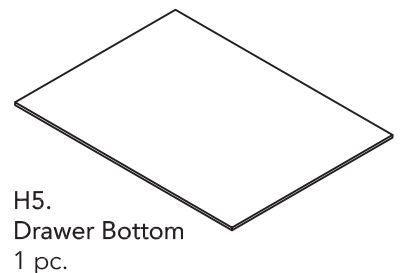
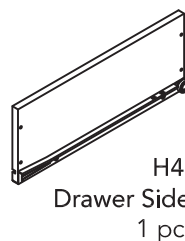
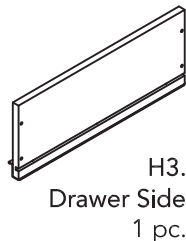
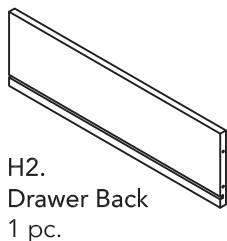
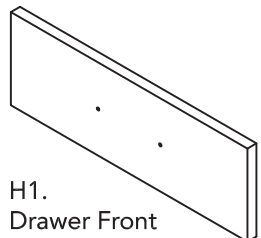


STEP 10

Attach Handle with Machine Screws.

Note: Drawer assembly is not complete until 3/4" Flat Head Screws are installed in a later step.

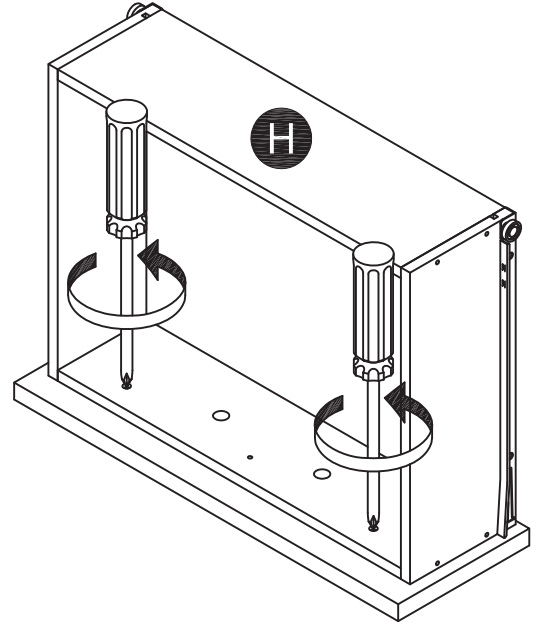
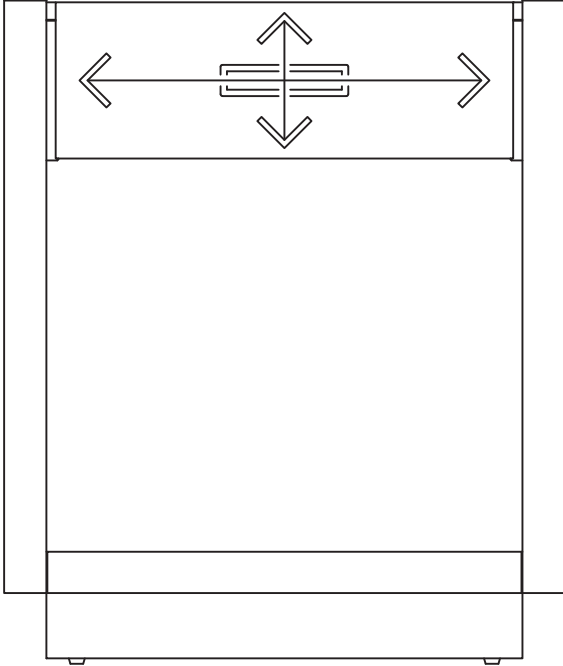
Part List



Assembly Instructions 6/7

STEP 11

Loosen slightly screws pre-installed on back of drawer front.



STEP 12

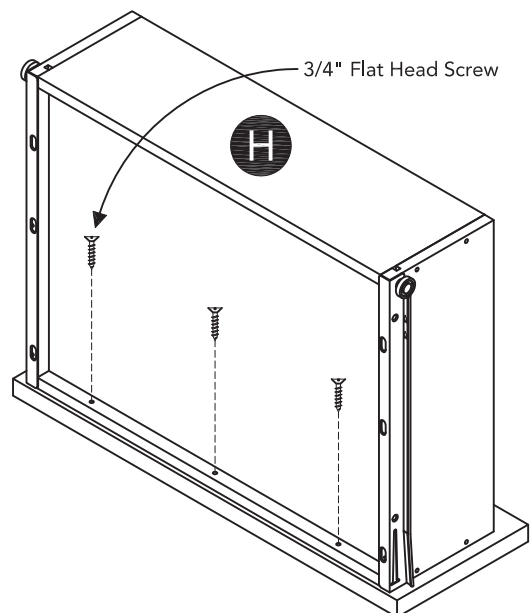
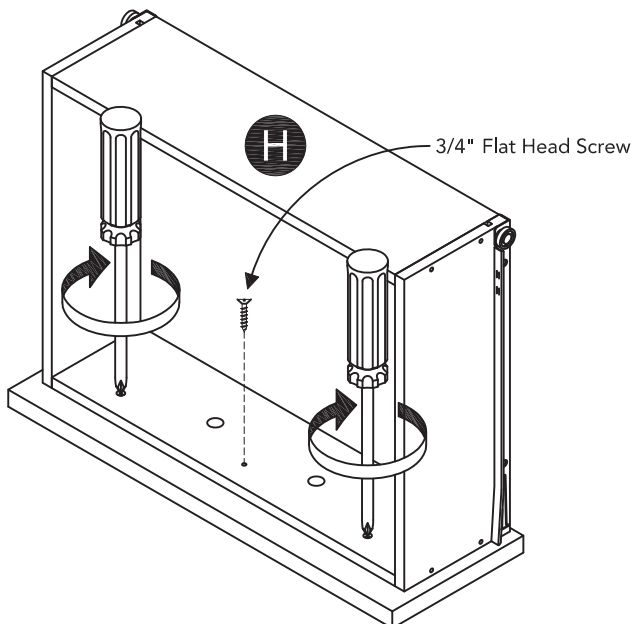
Insert drawer into unit, then adjust drawer front panel left or right and up or down until drawer gaps look proportional.

STEP 13

Pull drawer open slowly, then re-tighten screws from Step 11.

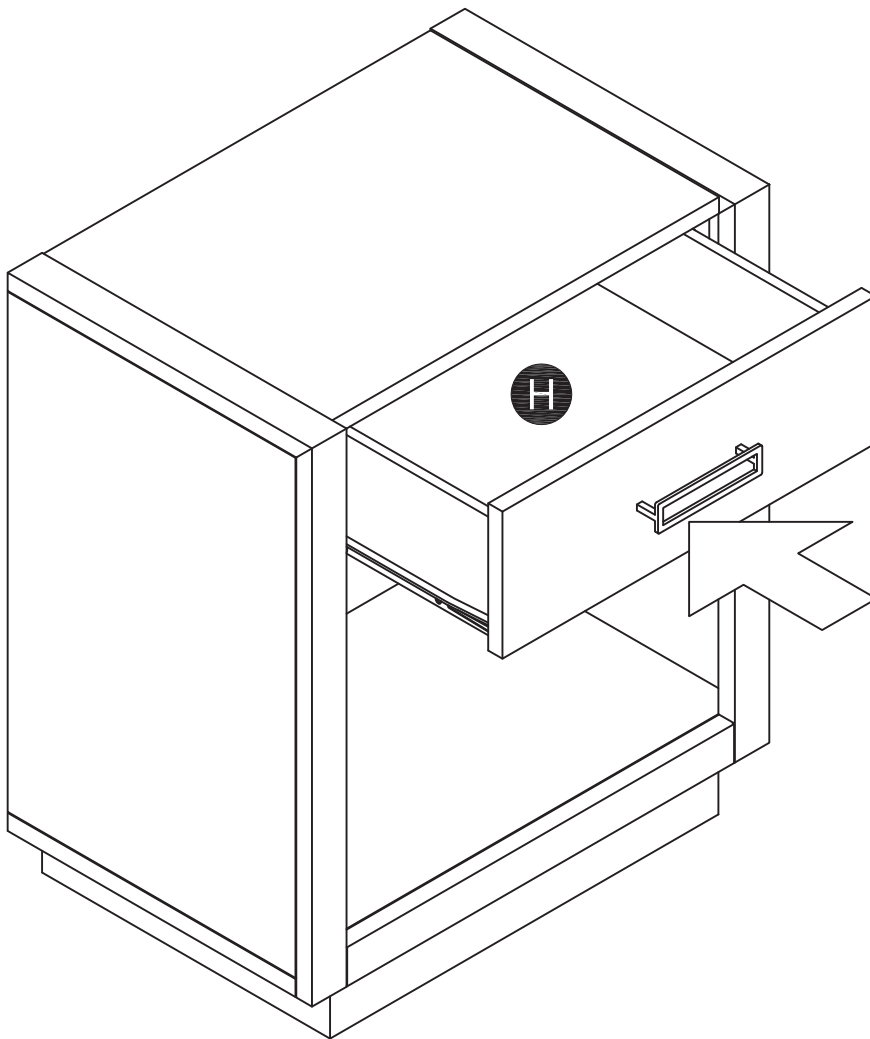
Make sure drawer front panel does not move and lock drawer front panel into position with 3/4" Flat Head Screws.

Note: These 3/4" Flat Head Screws must be installed to complete the drawer assembly.



STEP 14

Slide Drawer (H) into position.



CARE INSTRUCTIONS

NEVER

allow liquids to remain on furniture.
Absorption causes parts to warp
and split and finishes to delaminate.

NEVER

use glass cleaners on
finished furniture. Ammonia
chemically attacks the finish.



Do not use power tools
above 8 volts to assemble.

**PREVENT
CRACKING**



Do not place
in direct sunlight.

**PREVENT
FADING**



Do not write
directly on surface.

**PREVENT
MARKING**



Do not place hot
objects on surface.

**PREVENT
FINISH DAMAGE**



Do not use rubber
based placemats.

**PREVENT
DISCOLORING**



Do not use commercial
waxes and polishes.

**PREVENT
YELLOWING**

CLEAN

with a soft cloth moistened
in lukewarm soap and water.
Buff with a dry clean cloth.



Home Styles will provide replacements free of charge for missing or damaged hardware or parts within 30 days of purchase. Digital images of the defective parts may be required. If the product was not purchased from an authorized retail affiliate, Home Styles is under no obligation to provide replacement parts. Parts are not available for fully assembled items nor are parts available for sale. Replacements for missing or damaged hardware or parts may be requested at:

www.homestyles-furniture.com/customer-service/replacement-parts

Home Styles Customer Service: www.homestyles-furniture.com,
servicedesk@homestyles-furniture.com, 888-680-7460, 877-831-0319