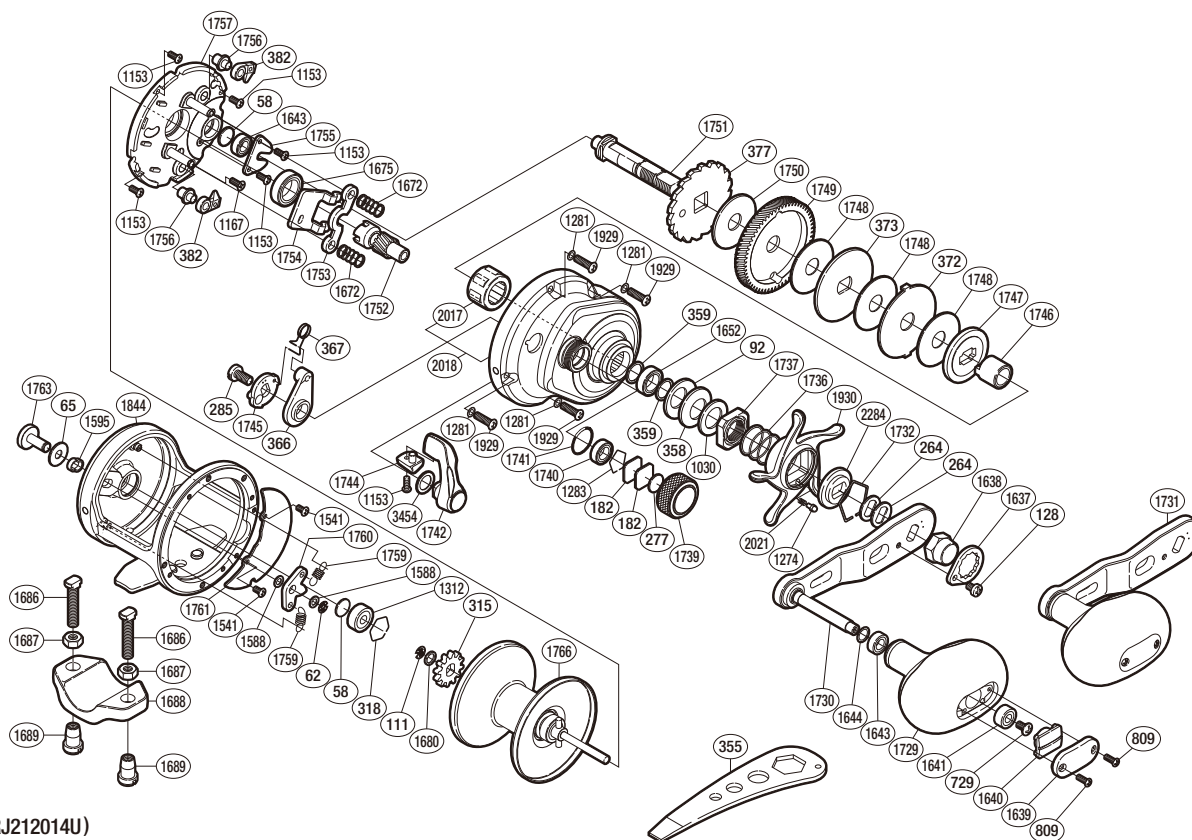


SHIMANO

TRINIDAD

TN-14A



(51RJ212014U)

#	Part No.	Description	#	Part No.	Description	#	Part No.	Description
58	10GEU	Spacer B	1541	10LVE	Screw	1749	10QNP	Drive Gear
62	105NK	E Lock	1588	10GA5	Spacer	1750	10CLY	Drag Washer
65	104H2	Spacer	1595	104MS	Click Switch Cam	1751	10D6M	Drive Shaft
92	1052E	Coned Disc Spring (8H)	1637	10QUA	Handle Nut Plate	1752	10A7M	Pinion Gear
111	105NJ	E Lock	1638	10Q1L	Handle Nut	1753	10484	Yoke
128	10QG0	Screw	1639	108SQ	Handle Knob I.D. Plate	1754	1045L	Clutch Plate
182	105N0	Cast Control Spacer	1640	10B97	Handle Knob Seal	1755	109VJ	Drive Shaft Retainer
264	107QQ	Drive Shaft Shield	1641	10KX1	Ball Bearing	1756	10PFR	Anti-Reverse Pawl Pin
277	10896	Cast Control Spacer	1643	105BP	Ball Bearing	1757	105WS	Set Plate
285	10F8M	Screw	1644	10HV3	Washer	1759	104B1	Click Pawl Spring
315	104F1	Click Gear	1652	10EX8	Ball Bearing	1760	10GQX	Click Pawl
318	10GGM	Bearing Retainer	1672	104C3	Yoke Spring	1761	10QCE	Set Plate Sticker
358	10EW3	Coned Disc Spring (8L)	1675	10KX7	Ball Bearing	1763	104GY	Click Button
359	105PW	Bearing Thrust Washer	1680	10HWX	Washer	1766	10ENF	Spool Assembly
366	10L2B	Eccentric Cam Bushing	1729	105ZC	Handle Knob	1844	10KBW	One-Piece Frame
367	10JYZ	Clutch Spring	1730	109WQ	Handle Shank Assembly	1929	10M2V	Screw
372	10KQH	Eared Washer	1731	102VP	Handle Assembly	1930	106YG	Star Drag
373	10L54	Key Washer	1732	10KXV	Click Plate Retainer	2017	10F3D	Roller Clutch Bearing
377	10DAG	Anti-Reverse Ratchet	1736	10A75	Star Drag Spring	2018	109G5	Right Side Plate
382	10MW8	Anti-Reverse Pawl	1737	10A3C	Star Drag Nut	2021	10988	Click Spring
729	103E9	Screw	1739	10KWN	Cast Control Cap	2284	10J26	Star Drag Click Plate
809	103NH	Screw	1740	104JS	Ball Bearing	3454	10RJS	Washer
1030	10BR2	Star Drag Washer	1741	10LAF	O Ring			
1153	10LVJ	Screw	1742	10876	Clutch Lever	1686	10JC2	Rod Clamp Bolt (Accessory)
1167	10MGL	Screw	1744	10C65	Clutch Lever Protector	1687	10HGH	Rod Clamp Nut B (Accessory)
1274	10BTO	Click Pin	1745	1084J	Clutch Cam	1688	10AS4	Rod Clamp (Accessory)
1281	10J4B	Washer	1746	10BPF	Roller Clutch Inner Tube	1689	10JCE	Rod Clamp Nut A (Accessory)
1283	10GEW	Bearing Retainer	1747	10D56	Pressure Plate			
1312	10KAE	Ball Bearing	1748	10L8H	Drag Washer	355	10MJ2	Wrench (Accessory)

Please note that the number of adjusting washers may not be the same as shown in the exploded views.
(Adjustment will vary with each individual product.)

(241209)_007