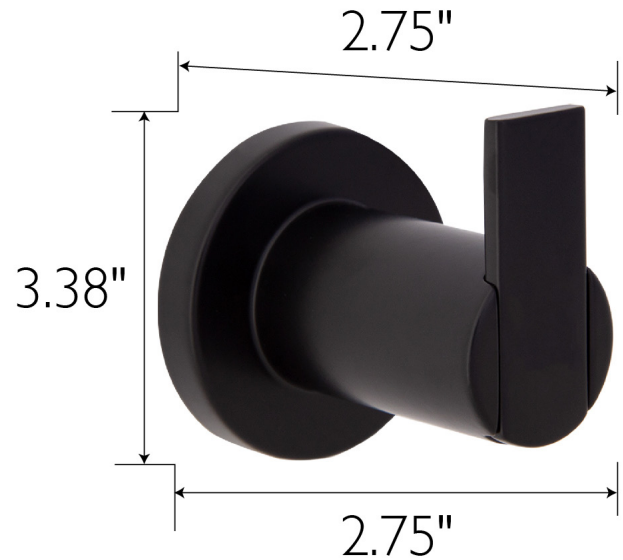


Eastport Robe Hook

Matte Black



SPECIFICATIONS

MATERIAL CONSTRUCTION:	Zinc
PVD FINISH:	No
ASSEMBLY REQUIRED:	Yes
TOOLS NEEDED FOR INSTALLATION:	Screwdriver
ASSEMBLED DIMENSIONS:	3.38" H x 2.75" L x 2.75" D
ASSEMBLED WEIGHT:	0.56 lbs.
MIN. LENGTH:	N/A
MAX LENGTH:	N/A
SCREWS INCLUDED:	Yes
DRYWALL ANCHORS INCLUDED:	Yes
CENTER TO CENTER:	N/A

WARRANTY:	1-Year limited warranty Yes
LEGAL FOR SALE IN CALIFORNIA:	N/A
ADA COMPLIANT:	



TYPE:
JOB:
ORDER CODE:
APPROVALS: