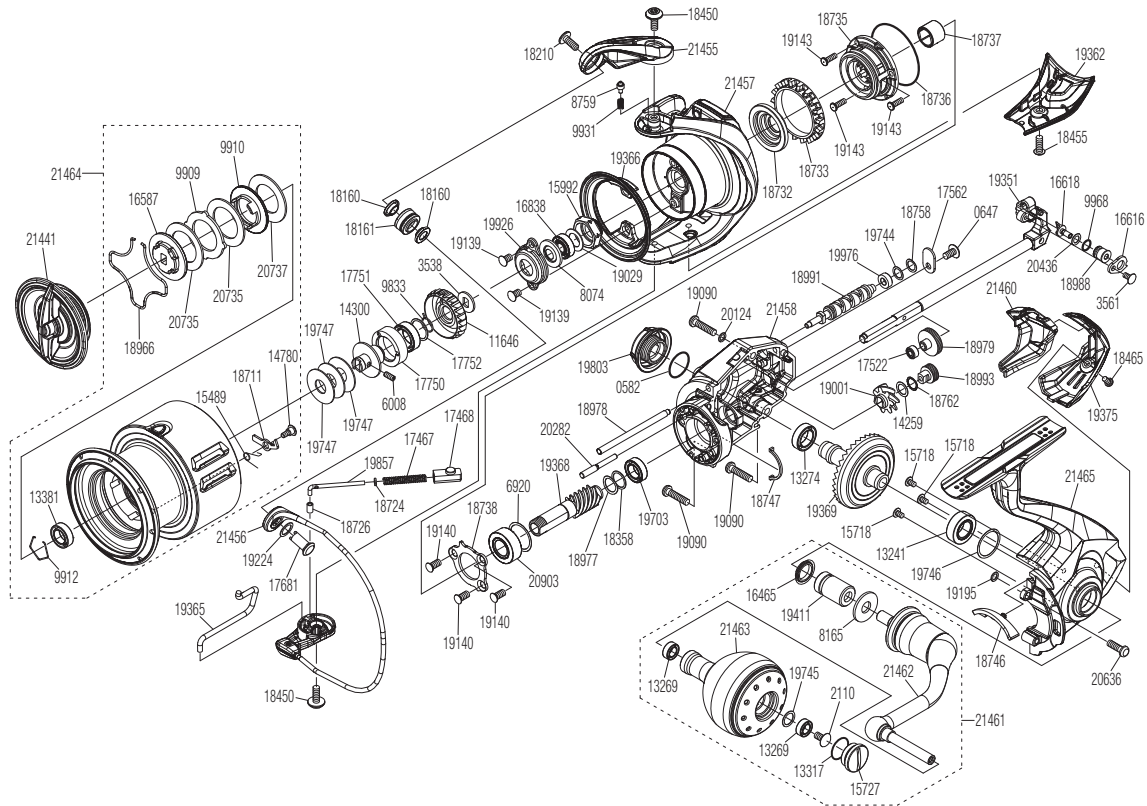


SHIMANO

TWIN POWER XD



TPXD-4000XG



Please note that the number of adjusting washers may not always be the same as shown in the exploded views.

(51SF47H045X)

Please note that your actions take full responsibility when you take it apart.

Part No.	Description	Part No.	Description	Part No.	Description
RD 0582	O Ring	RD18160	Collar	RD19411	Handle Shaft Cover B
RD 0647	Screw	RD18161	Line Roller Set	RD19703	Ball Bearing
RD 2110	Screw	RD18210	Screw	RD19744	Washer
RD 3538	Spool Support A	RD18358	Spacer	RD19745	Washer
RD 3561	Screw	RD18450	Screw	RD19746	Washer
RD 6008	Set Screw	RD18455	Screw	RD19747	Washer
RD 6920	Washer	RD18465	Screw	RD19803	Handle Screw Cap
RD 8074	Bearing Water Proof	RD18711	Drag Click Screw	RD19857	Bail Spring Guide
RD 8165	Washer	RD18724	Spring Guide A Support Collar	RD19926	Nut Lock Plate
RD 8759	Click Pin	RD18726	Bail Spring Guide A Bush	RD19976	Bushing
RD 9833	Ratchet Spring	RD18732	Rotor Ring	RD20124	Washer
RD 9909	Eared Washer	RD18733	Friction Ring	RD20282	Idle Gear Shaft
RD 9910	Key Washer A	RD18735	Roller Clutch Assembly	RD20436	Washer
RD 9912	Bearing Retainer	RD18736	Roller Clutch Case Seal	RD20636	Screw
RD 9931	Click Spring	RD18737	Roller Clutch Inner	RD20735	Drag Washer A
RD 9968	O Ring	RD18738	Bearing Retainer	RD20737	Drag Washer B
RD11646	Drag Click Ratchet	RD18746	Bail Trip Strike	RD20903	Ball Bearing
RD13241	Ball Bearing	RD18747	Flange Water Proof	RD21441	Drag Knob Assembly
RD13269	Ball Bearing	RD18758	Washer	RD21455	Bail Arm
RD13274	Ball Bearing	RD18762	Washer	RD21456	Bail Assembly
RD13317	O Ring	RD18966	Retainer	RD21457	Rotor Assembly
RD13381	Ball Bearing	RD18977	Washer	RD21458	Body
RD14259	Washer	RD18978	Oscillating Guide A	RD21460	Rear Shield
RD14300	Spool Bearing Bushing	RD18979	Idle Gear	RD21461	Handle Assembly
RD14780	Screw	RD18988	Oscillating Slider Bushing	RD21462	Handle Shank Assembly
RD15489	Drag Click Spring	RD18991	Worm Shaft	RD21463	Handle Knob Assembly
RD15718	Screw	RD18993	Idle Gear (Small)	RD21464	Spool Assembly
RD15727	Handle Knob Seal	RD19001	Idle Gear (Large)	RD21465	Side Cover Assembly
RD15992	Rotor Nut	RD19029	Washer		
RD16465	Handle Shaft Seal	RD19090	Screw		
RD16587	Key Washer B	RD19139	Screw		
RD16616	Oscillating Pawl Cover	RD19140	Screw		
RD16618	Oscillating Pawl	RD19143	Screw		
RD16838	Main Shaft Spacer Assembly	RD19195	Washer		
RD17467	Bail Spring	RD19224	Washer		
RD17468	Bail Spring Guide B	RD19351	Main Shaft Assembly		
RD17522	Bushing	RD19362	Bail Hold Support Guard		
RD17562	Worm Shaft Retainer	RD19365	Bail Trip Lever		
RD17681	Line Roller Support	RD19366	Rotor Brim		
RD17750	Bearing Housing	RD19368	Pinion Gear		
RD17751	Ball Bearing	RD19369	Drive Gear		
RD17752	Washer	RD19375	Rear Protector		