

DEALER: These instructions MUST be given to the user of the product.

USER: BEFORE using this product, read this manual and save for future reference.

Yes, you can.

Full Length Bed Rail - Model G29

I General

Check all parts for shipping damage. In case of damage, DO NOT use. Contact Carrier/Invacare for further instructions.

To ensure the safe use of the full-length bed rail, these instructions MUST be followed:

I.1 Symbols

Signal words are used in this manual and apply to hazards or unsafe practices which could result in personal injury or property damage. See the information below for definitions of the signal words.



DANGER

Danger indicates an imminently hazardous situation which, if not avoided, will result in death or serious injury.



WARNING

Warning indicates a potentially hazardous situation which, if not avoided, could result in death or serious injury.



CAUTION

Caution indicates a potentially hazardous situation which, if not avoided, may result in property damage or minor injury or both.



Gives useful tips, recommendations and information for efficient, trouble-free use.



Foot Crush Hazard
(ISO 3864 - 1)



General Mandatory
Action Symbol
(ISO 70140 - M001)

I.2 Service Life

The expected service life of the G29 Full Length Bed Rail is 2 years from the date of purchase.



DANGER

Risk of Injury or Death

Bed accessories designed by other manufacturers have NOT been tested by Invacare. Use of NON-Invacare bed accessories may result in injury or death.

- Use ONLY Invacare rails, mattresses, bed extenders and other accessories with Invacare bed products.



WARNING

Risk of Injury or Damage

Improper use of this product may cause injury or damage.

- If you are unable to understand the warnings, cautions or instructions, contact a healthcare professional, dealer or technical personnel before attempting to use this equipment.
- Do not use this product or any available optional equipment without first completely reading and understanding these instructions and any additional instructional material such as user manuals, service manuals or instruction sheets supplied with this product or optional equipment.

Proper patient assessment and monitoring, and proper maintenance and use of equipment is required to reduce the risk of entrapment. Variations in bed rail dimensions, and mattress thickness, size or density could increase the risk of entrapment

-Visit the FDA website at <http://www.fda.gov> to learn about the risks of entrapment. Review “A Guide to Bed Safety”, published by the Hospital Bed Safety Workgroup, located at www.invacare.com. Use the link located under each bed rail product entry to access this bed’s safety guide.

To avoid injury or damage due to incorrect installation of the bed rails:

- Unless the bed rail is in the lowest position, ensure that the plunger pins fully protrude through the adjustment hole of each bed rail tube. This ensures that the bed rail is securely locked in position. (The lowest position for the bed rail occurs when the bed rail rests against the bed rail stop. Spring loaded pins do not engage into an adjustment hole when the bed rail in the lowest position.)
- Install bed rails fully extended on bed. DO NOT use full length bed rails as half rails.
- After any adjustments, repair or service and before use, make sure all attaching hardware is tightened securely.

3 Installing the Mounting Brackets



For this procedure, refer to FIGURE 1 on page 3.

1. Remove the mattress from the bed.



When performing steps 2 and 3, ensure the plunger pin is facing the center of the bed.

2. Secure one mounting bracket with two mounting screws and threaded angle plate to the right side of the bed frame at the head end in the mounting locations shown. Securely tighten.
3. Secure one mounting bracket with two mounting screws and threaded angle plate to the right side of the bed frame at the foot end in the mounting locations shown. Securely tighten.
4. Repeat STEPS 2 -3 for left side of bed frame.

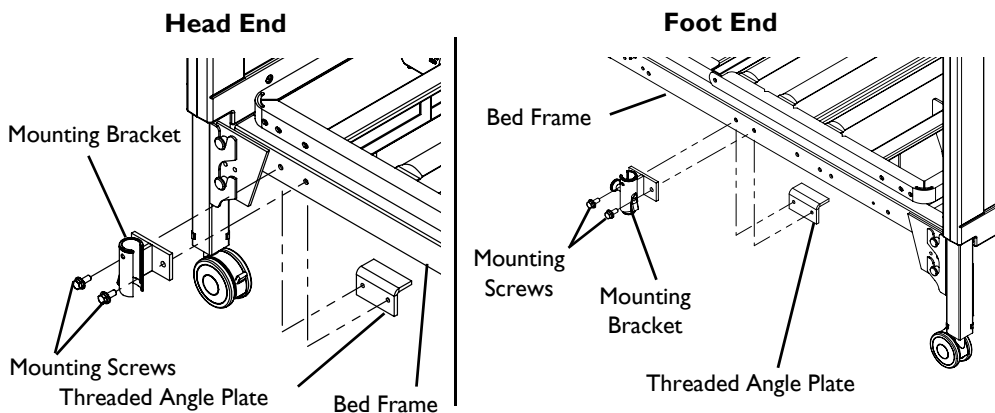


FIGURE 1 Installing the Mounting Brackets

4 Installing/Operating the Bed Rails



For this procedure, refer to FIGURE 2 on page 5.

4.1 Installing

1. Extend one bed rail to reach the head end and foot mounting brackets.
2. Insert the outer telescoping tube of the bed rail into the barrel of the head end mounting brackets.
3. Pull and hold the plunger knob on the barrel while lowering the bed rail.
4. Release the plunger knob on the barrel.
5. Raise or lower the bed rail until the plunger pin clicks securely into the adjustment hole or until the bed rail stop rests against the barrel.
6. Insert the inner telescoping tube of the bed rail into the barrel of the foot end mounting brackets.
7. Repeat STEPS 3-5 for the inner telescoping tube of the bed rail, adjusting the bed rail to the position reached in STEP 5.
8. Repeat STEPS 1-7 to install the other bed rail onto the opposite side of the bed.

4.2 Operating



WARNING



Risk of Injury or Damage

To avoid crush hazards from lowering bed rail to lowest level
- DO NOT place any objects or let any individual between bed rail and floor.

1. Hold bed rail while pulling the plunger knob.
2. Lower/raise bed rail.
3. Release plunger knob and lower/raise the bed rail until the plunger pin clicks into position unless the bed rail is at the lowest position.




The lowest position for the bed rail is when the bed rail rests against the bed rail stop. Spring loaded pins DO NOT have an adjustment hole to engage into when the bed rail is in the lowest position.



4. Repeat STEPS 1-3 for opposite end of bed rail.



Ensure head end and foot end of bed rails are adjusted to the same height.

 Patient entrapment from use of bed side rails may cause injury or death. The Bivacare mattress MUST fit firmly against the bed frame and side rails to prevent patient entrapment. Follow the manufacturer's instructions. Monitor patient frequently. Read and understand the User Manual prior to using this equipment. Bivacare manuals are available at www.bivacare.com or your dealer. © 2008 Bivacare, Inc.

p/n 1180201 Rev C

 Hold bed rail with one hand while pulling the plunger knob with the other hand. Gently, lower the bedrail down.  p/n 1180194 Rev C

p/n 1180194 Rev C

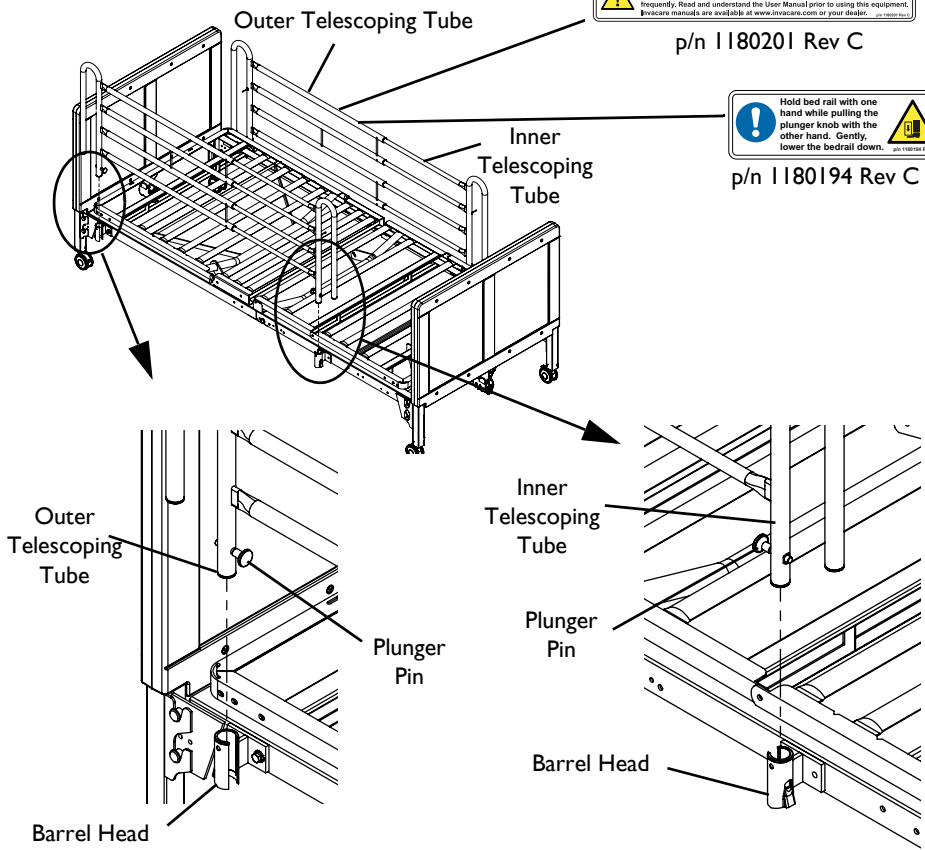


FIGURE 2 Installing/Operating the Bed Rails

5 Warranty

PLEASE NOTE: THE WARRANTY BELOW HAS BEEN DRAFTED TO COMPLY WITH FEDERAL LAW APPLICABLE TO PRODUCTS MANUFACTURED AFTER JULY 4, 1975.

This warranty is extended only to the original purchaser/user of our products. This warranty gives you specific legal rights and you may also have other legal rights which vary from state to state.

Invacare warrants its product to be free from defects in materials and workmanship for one year for the original purchaser. If within such warranty period any such product shall be proven to be defective, such product shall be repaired or replaced, at Invacare's option. This warranty does not include any labor or shipping charges incurred in replacement part installation or repair of any such product. Invacare's sole obligation and your exclusive remedy under this warranty shall be limited to such repair and/or replacement.

For warranty service, please contact the dealer from whom you purchased your Invacare product. In the event you do not receive satisfactory warranty service, please write directly to Invacare at the address on the back page. Provide dealer's name, address, model number, and the date of purchase, indicate nature of the defect and, if the product is serialized, indicate the serial number.

Invacare Corporation will issue a return authorization. The defective unit or parts must be returned for warranty inspection using the serial number, when applicable, as identification within thirty (30) days of return authorization date. **DO NOT** return products to our factory without our prior consent. C.O.D. shipments will be refused; please prepay shipping charges.

LIMITATIONS AND EXCLUSIONS: THE WARRANTY SHALL NOT APPLY TO PROBLEMS ARISING FROM NORMAL WEAR OR FAILURE TO ADHERE TO THE ENCLOSED INSTRUCTIONS. IN ADDITION, THE FOREGOING WARRANTY SHALL NOT APPLY TO SERIAL NUMBERED PRODUCTS IF THE SERIAL NUMBER HAS BEEN REMOVED OR DEFACED; PRODUCTS SUBJECT TO NEGLIGENCE, ACCIDENT, IMPROPER OPERATION, MAINTENANCE OR STORAGE; OR PRODUCTS MODIFIED WITHOUT INVACARE'S EXPRESS WRITTEN CONSENT INCLUDING, BUT NOT LIMITED TO: MODIFICATION THROUGH THE USE OF UNAUTHORIZED PARTS OR ATTACHMENTS; PRODUCTS DAMAGED BY REASON OF REPAIRS MADE TO ANY COMPONENT WITHOUT THE SPECIFIC CONSENT OF INVACARE; PRODUCTS DAMAGED BY CIRCUMSTANCES BEYOND INVACARE'S CONTROL; PRODUCTS REPAIRED BY ANYONE OTHER THAN AN INVACARE DEALER, SUCH EVALUATION SHALL BE SOLELY DETERMINED BY INVACARE.

THE FOREGOING EXPRESS WARRANTY IS EXCLUSIVE AND IN LIEU OF ALL OTHER EXPRESS WARRANTIES WHATSOEVER, WHETHER EXPRESS OR IMPLIED, INCLUDING THE IMPLIED WARRANTIES OF MERCHANTABILITY AND FITNESS FOR A PARTICULAR PURPOSE AND THE SOLE REMEDY FOR VIOLATIONS OF ANY WARRANTY WHATSOEVER, SHALL BE LIMITED TO REPAIR OR REPLACEMENT OF THE DEFECTIVE PRODUCT PURSUANT TO THE TERMS CONTAINED HEREIN. THE APPLICATION OF ANY IMPLIED WARRANTY WHATSOEVER SHALL NOT EXTEND BEYOND THE DURATION OF THE EXPRESS WARRANTY PROVIDED HEREIN. INVACARE SHALL NOT BE LIABLE FOR ANY CONSEQUENTIAL OR INCIDENTAL DAMAGES WHATSOEVER.

THIS WARRANTY SHALL BE EXTENDED TO COMPLY WITH STATE/ PROVINCIAL LAWS AND REQUIREMENTS.

6 Usability Survey

Please complete the survey below to evaluate this manual.
Your participation in the evaluation assists in the development of effective and usable manuals for our customers.



Yes, you can.

The survey is also available online:

<http://www.invacare.com/TechnicalDocumentSurvey>

I. Please indicate your primary involvement with the product (Choose one):

- Product User/Owner
- User Assistant
- Product Dealer
- Product Service Technician
- Health Care Provider
- Other (Please specify):

7 Please indicate which product manual you are evaluating:

8 Evaluate the content:

YES NO

After reading this document, do you have a better understanding of how to use the product? YES NO

Do you have a better understanding of any limitations on the use of this product? YES NO

Is there any irrelevant information? YES NO

Is the Table of Contents useful? YES NO

Does any information seem inaccurate/misleading? YES NO

Do you understand that misuse of the product can cause injury or damage? YES NO

Explain:

9 Evaluate the Warnings/Cautions:

YES NO

Are there any warnings/cautions that you do not understand? YES NO

Are there too many warnings/cautions? YES NO

Are there warnings/cautions that you feel do not apply to this product? YES NO

Explain:

10 Evaluate the style:

YES NO

Is anything hard to locate/follow? YES NO

Are any headings missing/confusing? YES NO

Are there too many headings? YES NO

Should any material be a bulleted list or checklist instead of numbered steps or a paragraph? YES NO

Is there material that might be clarified by a visual? YES NO

Explain:

11 Evaluate the illustrations:

YES NO

Are the illustrations useful? YES NO

Do the illustrations need more or less detail? YES NO

Is the number/size of illustrations adequate? YES NO

Explain:

12 Do you have suggestions for other ways of making this document easier to use?

- Yes
- No

Explain:

Thank You!

Thank you for completing this survey. If you have any questions or we may be of assistance to you, please feel free to contact us. Send your survey to:

Invacare Technical Writing Department
Invacare Corporation
One Invacare Way Elyria, OH 44035
TechnicalWriting@invacare.com

FAX: 440-329-6975



Yes, you can.

Invacare Corporation

USA

One Invacare Way
Elyria, Ohio USA
44036-2125
800-333-6900

Canada

570 Matheson Blvd E Unit 8
Mississauga Ontario
L4Z 4G4 Canada
800-668-5324

Part No I182390



www.invacare.com

© 2013 Invacare Corporation.
All rights reserved.
Republication, duplication or
modification in whole or in part
is prohibited without prior
written permission from
Invacare. Trademarks are
identified by [™] and [®]. All
trademarks are owned by or
licensed to Invacare Corporation
or its subsidiaries unless
otherwise noted.

Rev A - 8/29/13

