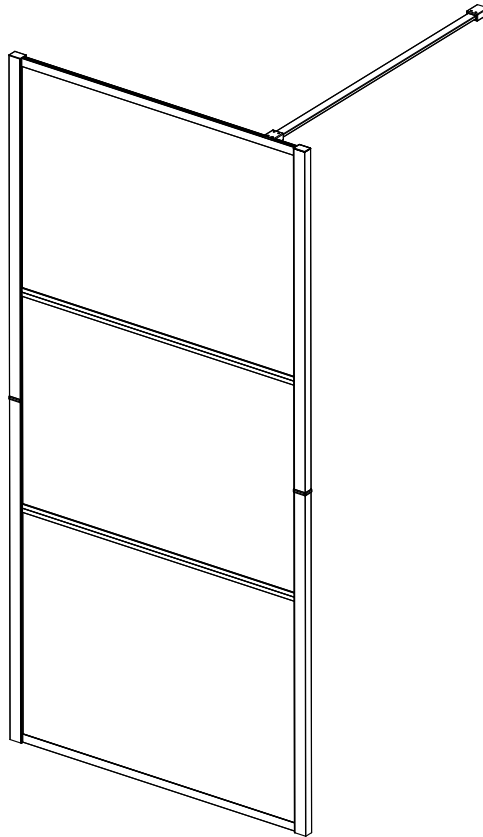


ANZZI®

ITEM: SD-AZFL06002\*\*  
ANZZI GLASS SHOWER DOOR  
INSTALLATION & OPERATION MANUAL

V1.1  
07/20/2024



# DON'T WAIT! REGISTER NOW!

Register your product within 90 days to ensure your product is recognized as an official purchase and is eligible for warranty coverage.

Register online at <https://anzzi.com/pages/register> or scan the QR code at PG. 2.



## PRODUCT REGISTRATION\*

**IMPORTANT:** Warranty will not be recognized unless product is registered.

Register online at <https://anzzi.com/pages/register> or Scan the QR code below.

Registering online is fast, secure, and ensures we receive your information.

1

SCAN QR CODE



2

FILL IN THE  
REGISTRATION FORM

Thank you for your purchase!

Registering your products ensures you maximize your warranty benefits and receive prompt service and support.

Name\*

Email\*

City\*

Order #\*

Installer Name

⋮

Model Purchased\*

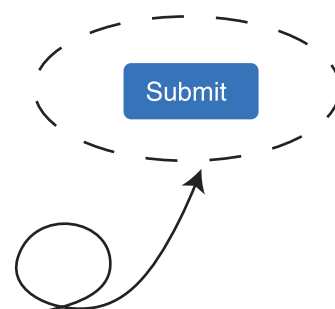
Installer Phone Number

Customer Age Range

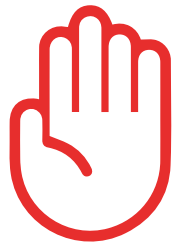
Submit

3

CLICK SUBMIT TO FINISH  
PRODUCT REGISTRATION



Need help? For technical support call 305-614-4070 or visit us at [www.ANZZI.com](http://www.ANZZI.com)



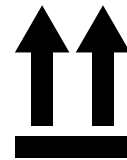
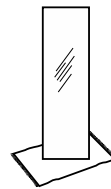
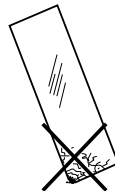
# STOP!

**READ BEFORE YOU PROCEED!**

**TO KEEP GLASS FROM BREAKING:  
Use two people when installing.  
This product is heavy.**

 **WARNING**

PROTECTIVE EQUIPMENT MUST BE WORN WHEN HANDLING GLASS



# INSTALLATION GUIDE

## BEFORE YOU BEGIN

- Please check the product for damage and missing parts immediately upon delivery. Damage reported later will not be covered by our warranty. Please handle the product with care. Avoid any impact to the sides.
- Consult your local building codes before installation.
- If this unit is being installed in new construction, please install all required plumbing and drainage before installing the shower. Use a licensed plumber/contractor (if required by local code) for all plumbing installations.
- Before beginning installation, make sure all surfaces are level, solid and will support the total weight of the unit. Also, make sure the walls are at right angles. Irregular installation surface level, radius corners, or improper angle of side walls will result in serious problems for your installation. Please note that some adjustments and drilling might be necessary during the installation process.
- Please protect all primary surfaces of the product during installation.



## WARNING

- This unit must be installed upon a finished threshold and against finished walls.
- Take care to avoid hidden pipes or electrical cables when drilling holes in walls.
- This product is heavy and requires two people to install it.
- When cutting or drilling metal components or handling glass, wear protective eye wear, gloves, and closed-toe shoes to reduce the risk of personal injury.
- Failure to follow instructions when installing this product may result in personal injury, property damage, or product failure and may void the warranty.

# INSTALLATION GUIDE

## BEFORE YOU BEGIN



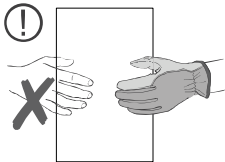
### ATTENTION

- Threshold must be level for better sealing.
- This model requires a minimum 1" (25.4mm) of flat level threshold space for installation.

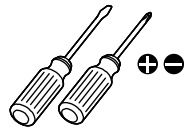
### Tools Required



- This product is heavy and requires two people to install.



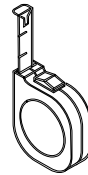
- Use cut-resistant, non-slip gloves to reduce the risk of personal injury and to hold the glass firmly.



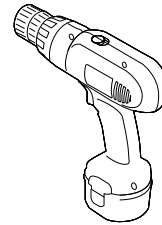
Screwdriver



Level



Tape Measure



Drill



1/8"  
(3mm)  
Drill Bit



1/4"  
(6mm)  
Drill Bit



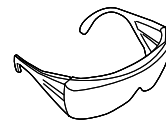
100%  
Silicone  
Mallet



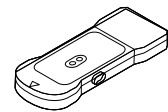
Pencil



Rubber  
Hammer



Safety  
Glasses



Stud Finder



**This product is heavy and requires two people to install.**

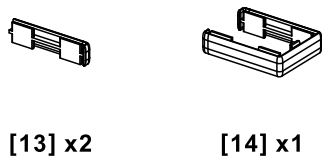
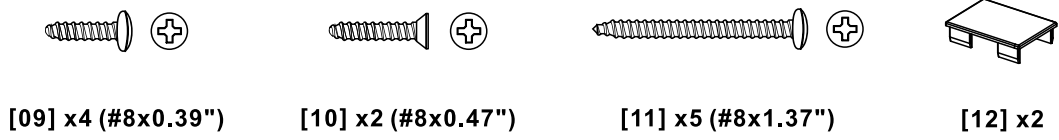
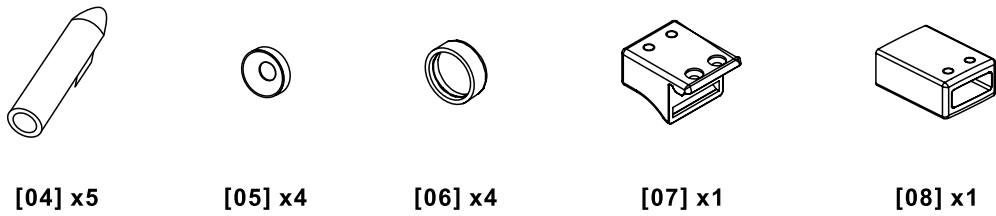
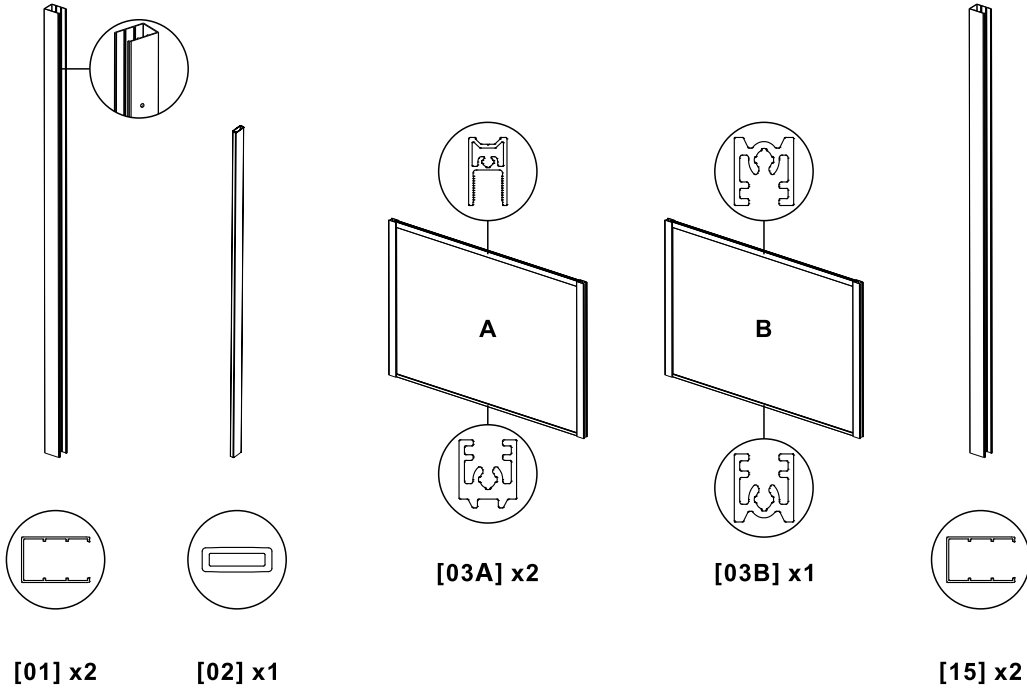




# WARNING

To prevent damage to glass and potential injury, make sure to follow the instructions on page 1.

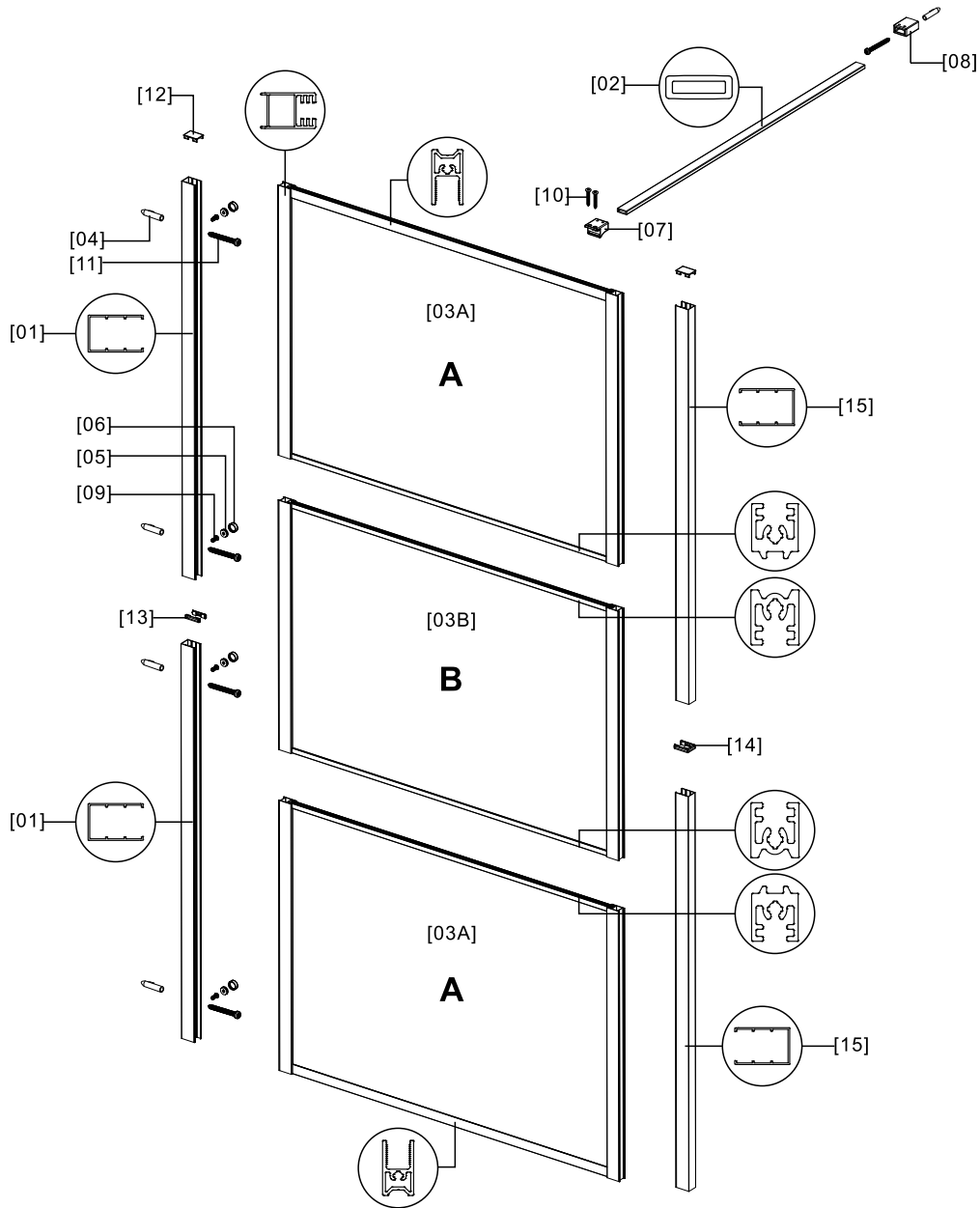
## PARTS



# WARNING

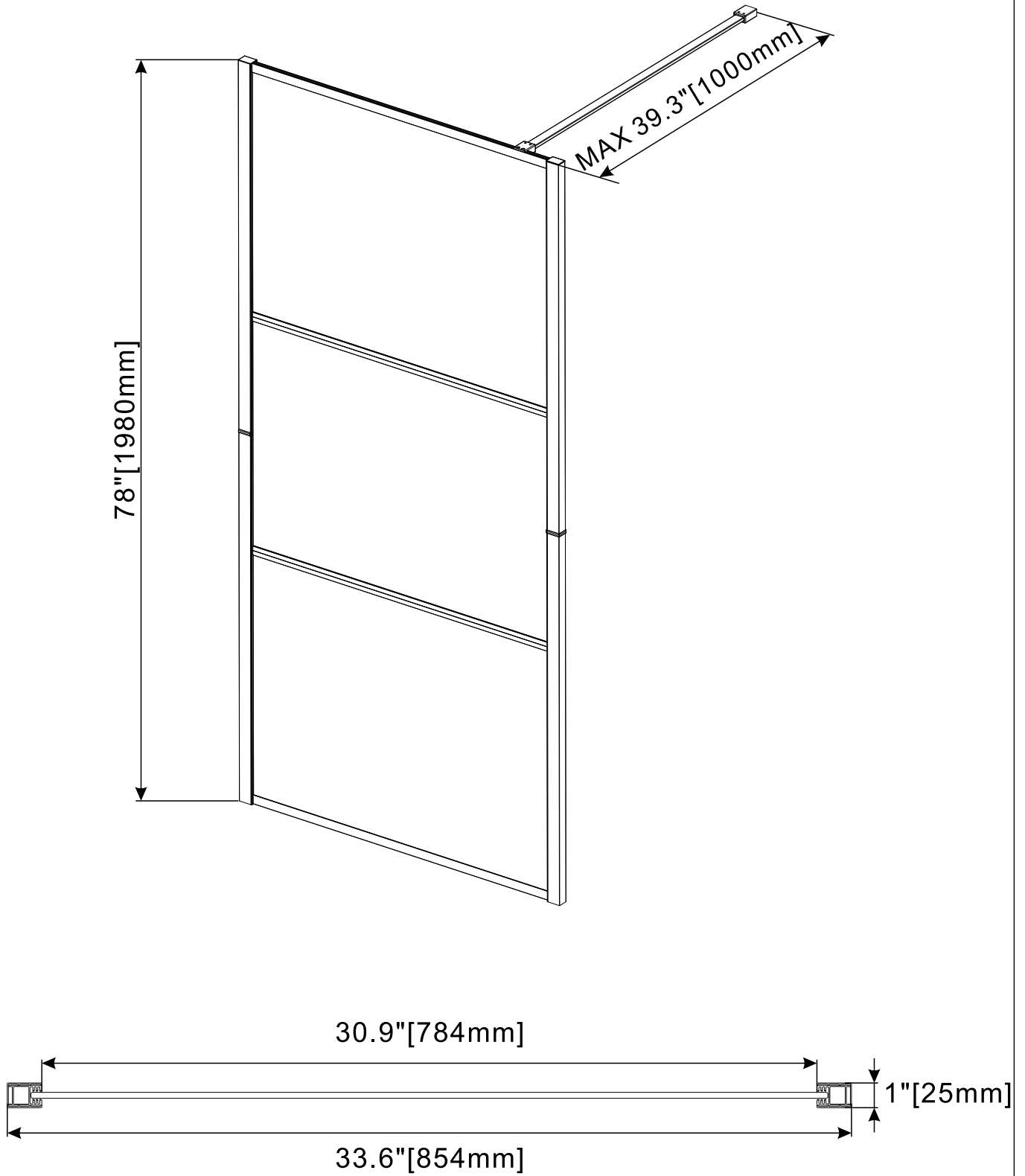
To prevent damage to glass and potential injury, make sure to follow the instructions on page 1.

## ASSEMBLY



Part	Description	Qty.	Part	Description	Qty.
[01]	Wall Jamb	2	[08]	Wall Bracket	1
[02]	Support Bar	1	[09]	Screw #8 X 0.39"	4
[03A]	Shower Panel A	2	[10]	Screw #8 X 0.47"	2
[03B]	Shower Panel B	1	[11]	Screw #8 X 1.37"	5
[04]	Anchor	4	[12]	Cover	2
[05]	Gasket	4	[13]	Decorative Strip	2
[06]	Cap	4	[14]	C Strip	1
[07]	Bracket	1	[15]	Jamb	2

# SD-AZFL06002\*\* 33.6" X 78"

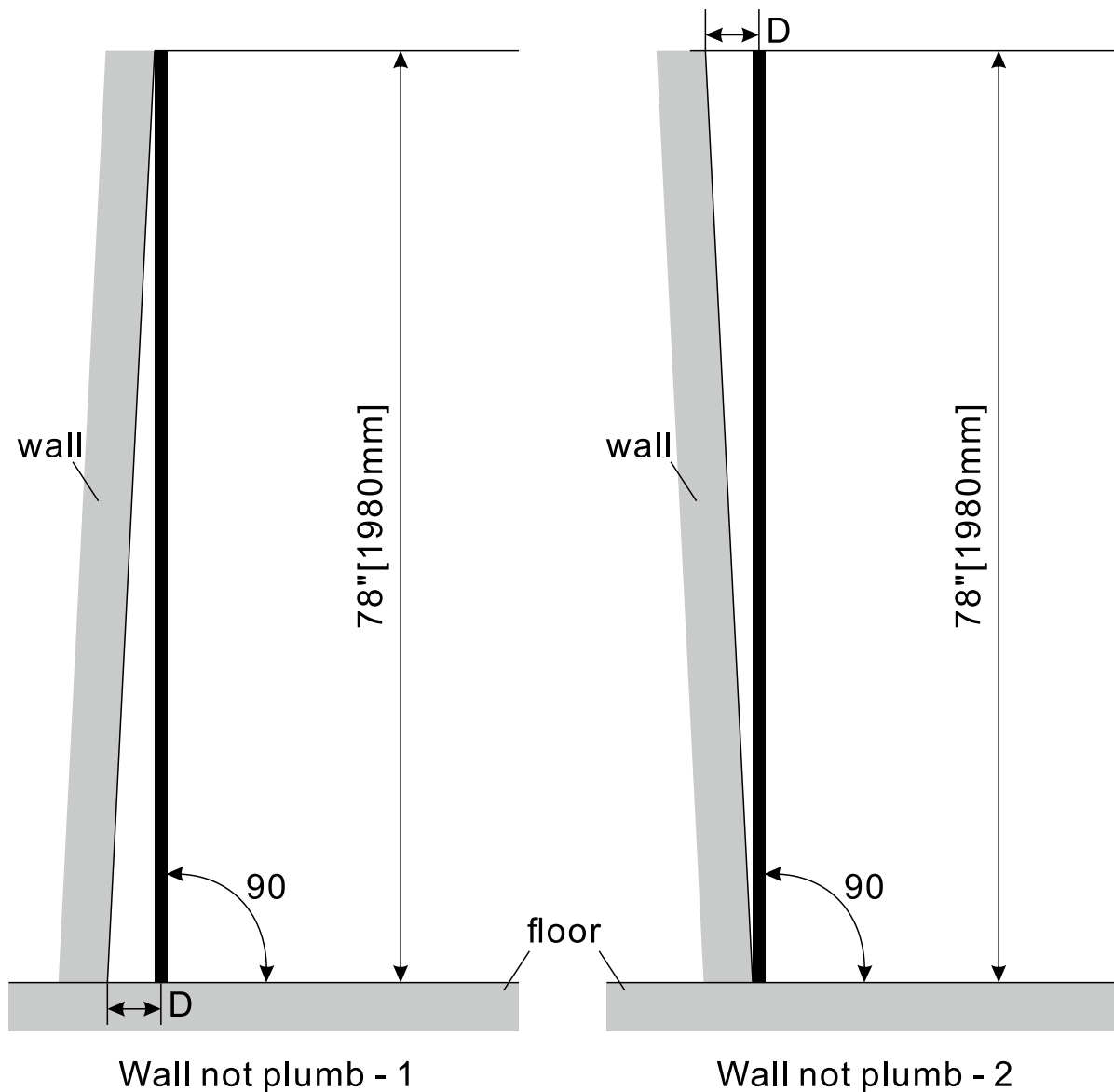






# ATTENTION

- To avoid personal injury or property damage, identify components and read all instructions before installing.
- This model requires a minimum 1" (25.4mm) of flat level threshold space for installation.
- Use a plumb bob or a 78.7" long straight edge to check if the wall for shower panel installation is plumbed to the floor. If the distance D (measured from the intersection point formed by the wall and floor to the point projected from the 78" height of the wall) is greater than 0.59" [15mm], please have builder rebuild the wall.



# INSTALLATION INSTRUCTIONS

## Step 1

1. Install **Decorative Strips [13]** between **Wall Jambs [01]** as figure shows. Make sure the **side walls** of **Wall Jambs [01]** are inside the **slots** of **Decorative Strips [13]** and the **corner** parts of **Decorative Strips [13]** match the **corners** closed to the opening of **Wall Jambs [01]**. (Fig 1.2, Fig 1.3)  
Note: The **Wall Jambs [01]** are same size with **Jambs [15]** but with holes at the back.
2. Position the **Wall Jambs [01]** to the wall as figure shows. Make sure the distance between the outer **side walls** of **Wall Jambs [01]** and the wall of shower room is no more than 39.3". Mark the **screw holes** of **Wall Jambs [01]** on the wall and remove them. (Fig 1.1)
3. Use a **stud finder** to check if there is stud intended to hold the door behind the wall. If you do not have a stud in this area, find a qualified person for advise. (Fig 1.1)
4. Drill a 1/4" hole at each marked location and insert the **Anchors [04]**. (Fig 1.4, Fig 1.5)
5. Secure the **Wall Jambs [01]** on the wall with **Screws [11]**. (Fig 1.6)

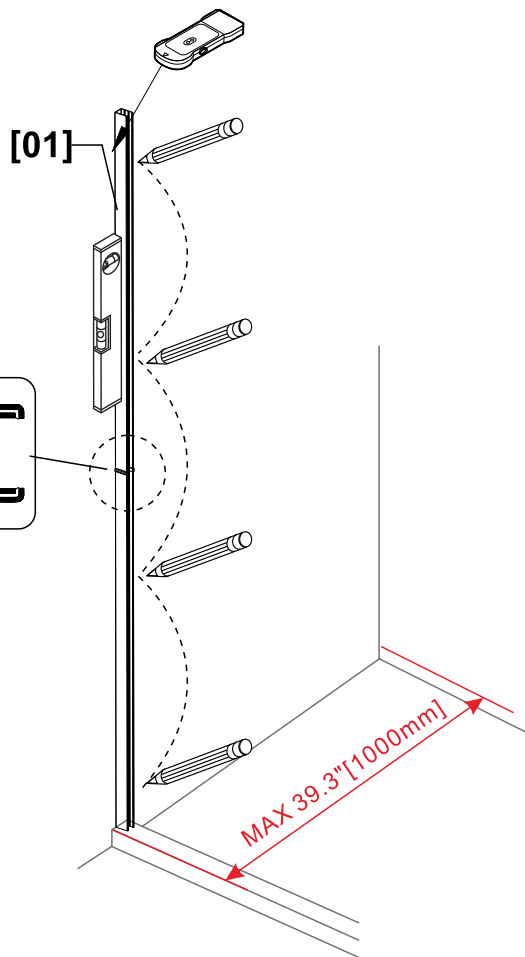
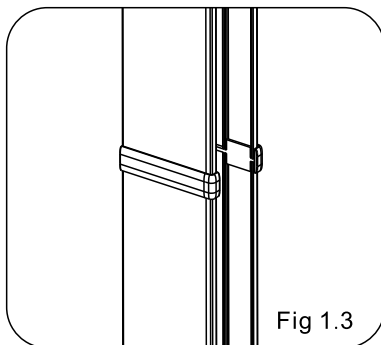
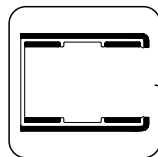
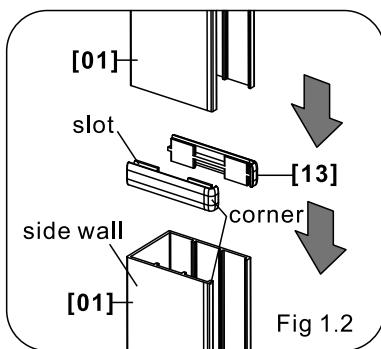


Fig 1.1

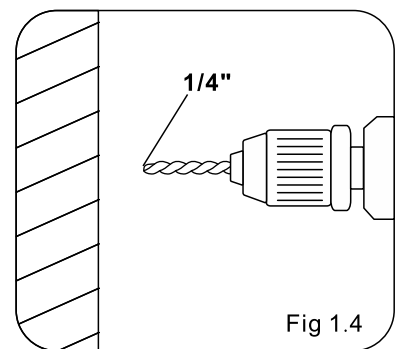


Fig 1.4

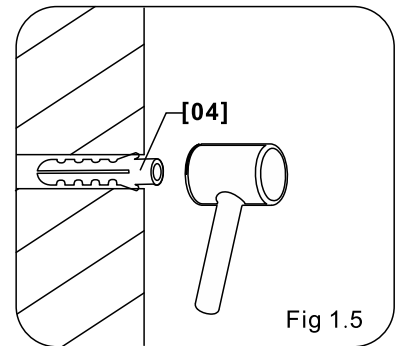


Fig 1.5

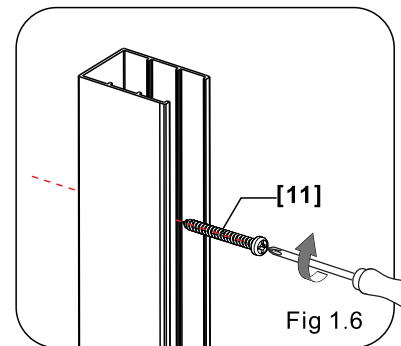


Fig 1.6

# **WARNING**

To prevent damage to glass and potential injury, make sure to follow the instructions on page 1.

## Step 2

1. Push 1/3 profile rail of one **Shower panel A [03A]** into the **groove** of **Wall Jamb [01]** and Apply a good quality silicone sealant to the slot of rib.  
Note: The **ribs** of **Shower Panel A [03A]** faces upward. (Fig 2.1, Fig 2.2)
2. Push 1/3 profile rail of the **Shower Panel B [03B]** into the **groove** of **Wall Jamb [01]** and slide it down to the installed **Shower Panel A [03A]** and align with it as figure shows. Apply a good quality silicone sealant to the groove of the **Shower Panel B [03B]**. (Fig 2.1, Fig 2.3)
3. Push 1/3 profile rail of another **Shower Panel A [03A]** into the **groove** of **Wall Jamb [01]**. Then slide it down to the installed **Shower Panel B [03B]** and align with it as figure shows. (Fig 2.1, Fig 2.3)  
Note: The **ribs** of **Shower Panel A [03A]** faces downward. (Fig 2.1, Fig 2.3)
4. Install **C Strip [14]** to the top of a **Jamb [15]** as figure shows. Make sure the **walls** of the **Jamb [15]** are inside the slots of **C Strip [14]**. (Fig 2.4)
5. Push the **Jamb [15]** installed with **C Strip [14]** to the shower panels until it stops. (Fig 2.5)
6. Push another **Jamb [15]** to the shower panels until it stops and slide it down to the **C Strip [14]**. (Fig 2.6)
7. Push the installed shower panels to the **Wall James [15]** until they stop. (Fig 2.6)

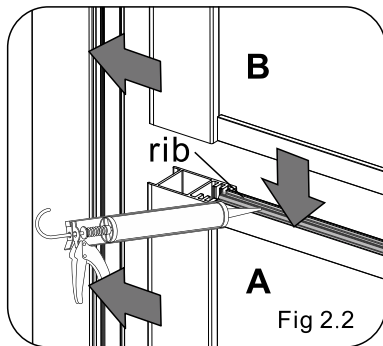


Fig 2.2

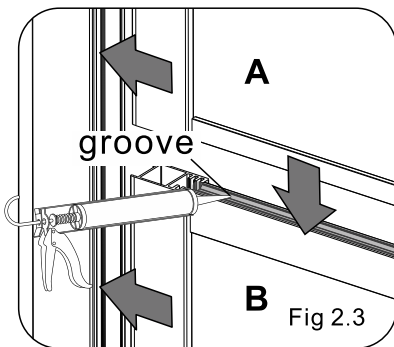


Fig 2.3

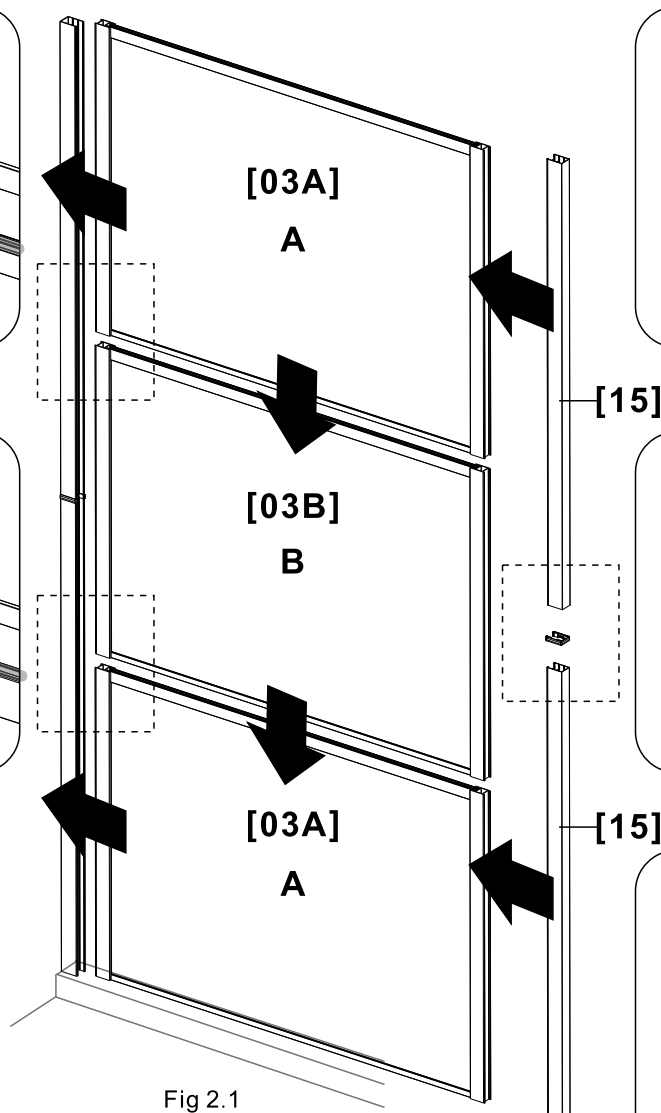


Fig 2.1

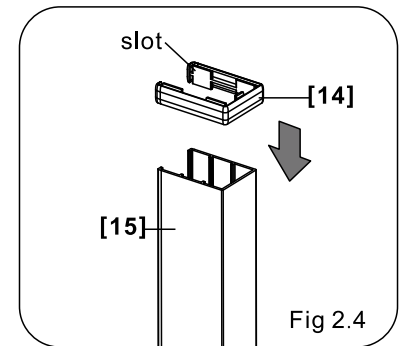


Fig 2.4

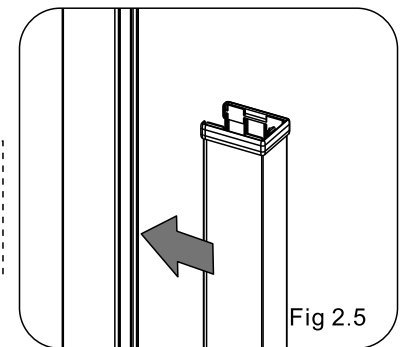


Fig 2.5

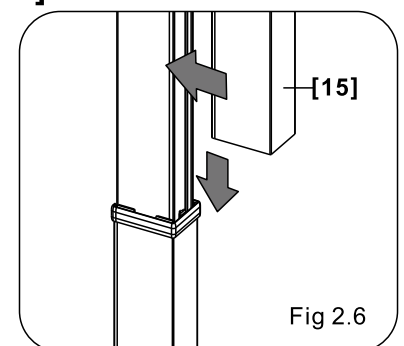
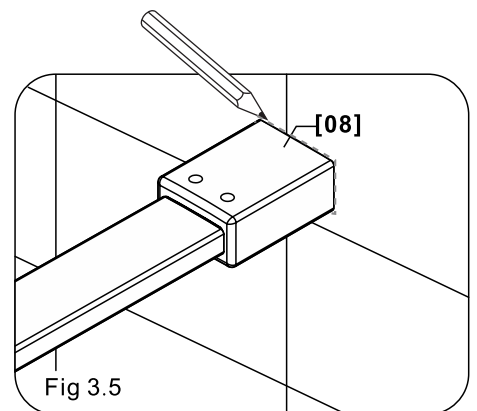
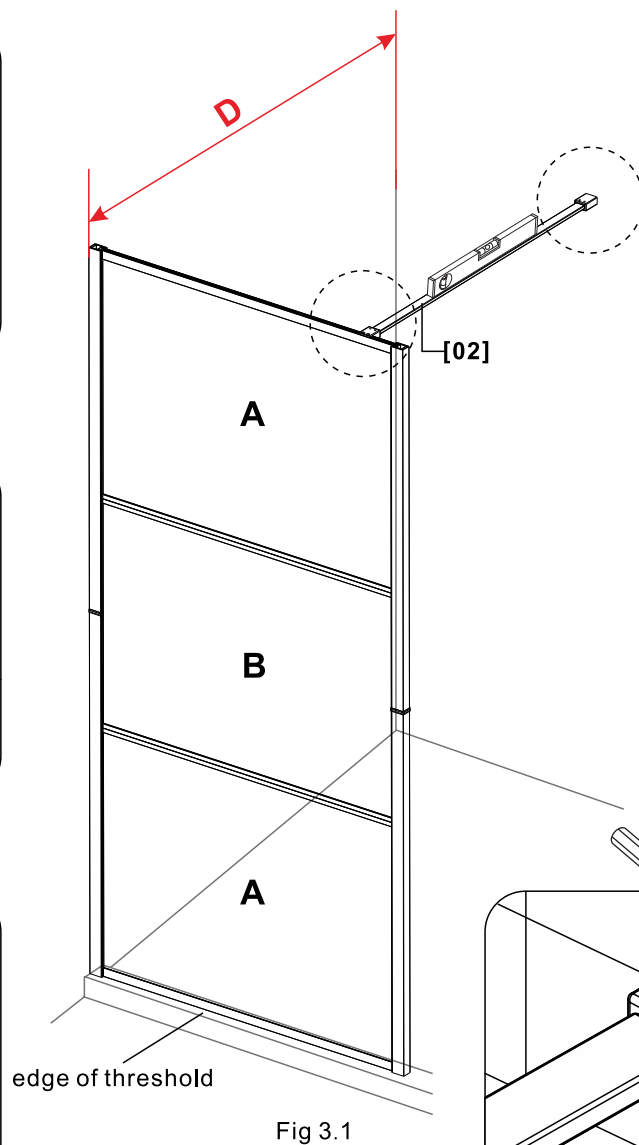
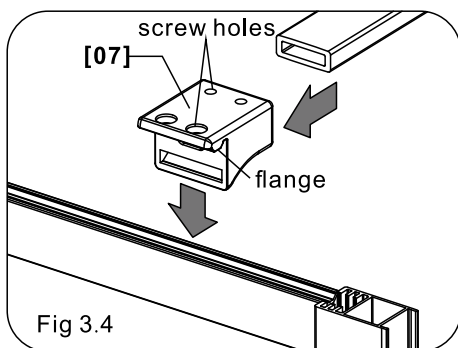
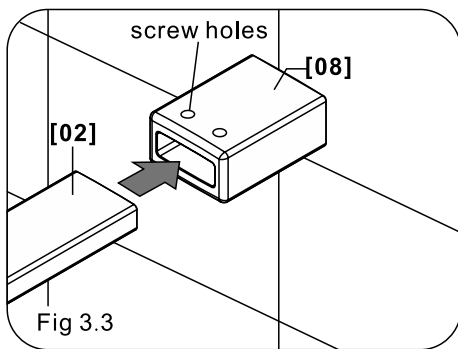
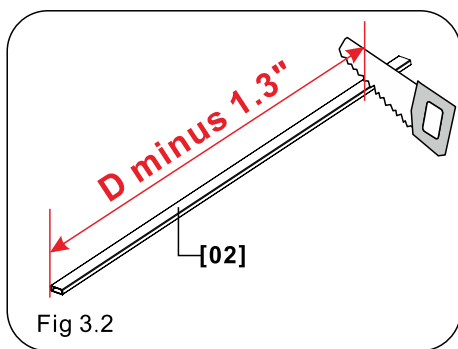


Fig 2.6

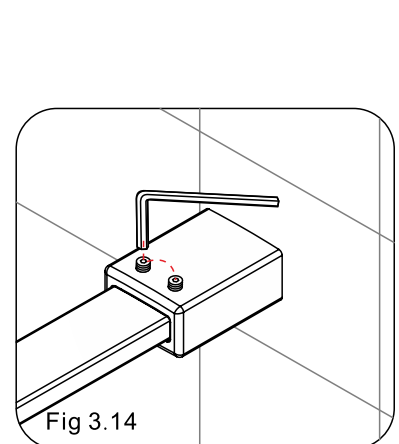
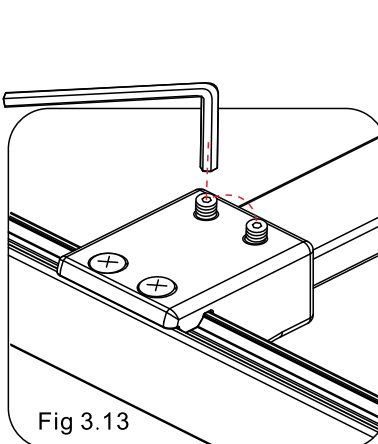
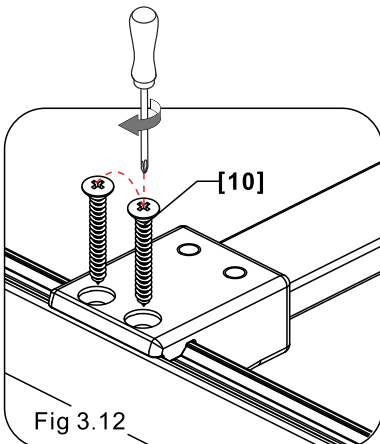
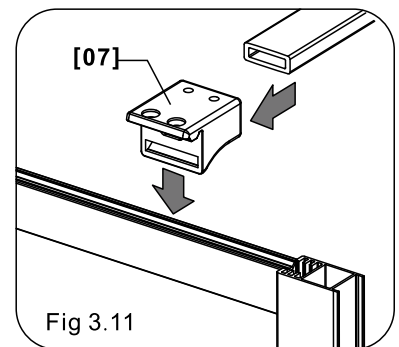
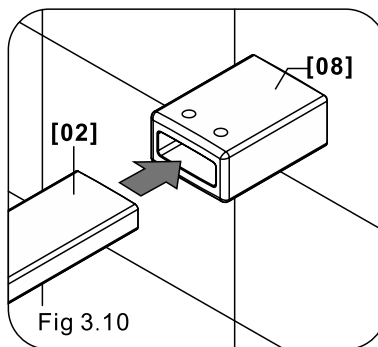
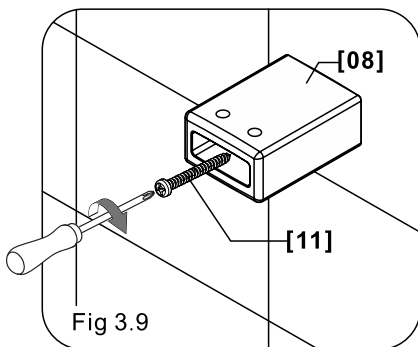
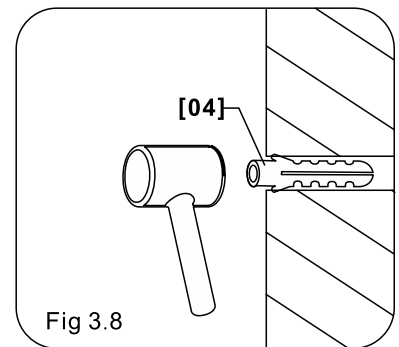
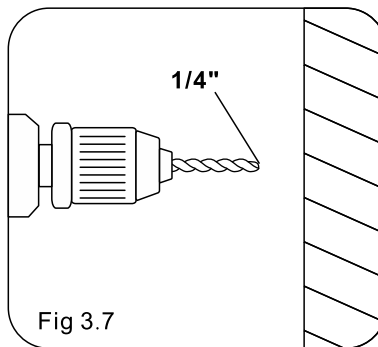
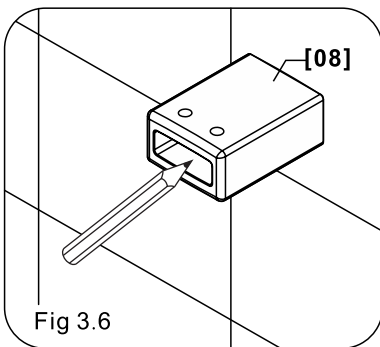
### Step 3

1. Adjust the position of shower door so that it parallel with the edge of threshold. (Fig 3.1)
2. Using a pencil or another marking tool (such as masking tape) measure distance D from the inside wall to the outer surface of **Wall Jamb [01]**, mark distance D minus 1.3" on the **Support Bar [02]** (to leave some space for the Wall Bracket).
- IMPORTANT: Double check the measurement before cutting.** Cut the **Support Bar [02]** with a fine toothed (32 TPI) hack saw. If needed, use a metal file to smooth rough edges. Clean up metal shavings. DO NOT stand on or use a vice to hold the **Support Bar [02]** while cutting. (Fig 3.2)
3. Install the **Support Bar [02]** to the **Bracket [07]** and **Wall Bracket [08]**. Make sure the **screw holes** of brackets face upward. Attach **Bracket [07]** to the top of **Shower Panel A [03A]**. Attach **Wall Bracket [08]** to the wall. Align the **screw holes** of flange to the **screw holes** at the top of **Shower Panel A [03A]**. (Fig 3.3, Fig 3.4)
4. Adjust the **Support Bar [02]** to level position. Then mark the outline of **Wall Bracket [08]** on the wall and remove the **Support Bar [02]**, **Bracket [07]** and **Wall Bracket [08]**. (Fig 3.5)



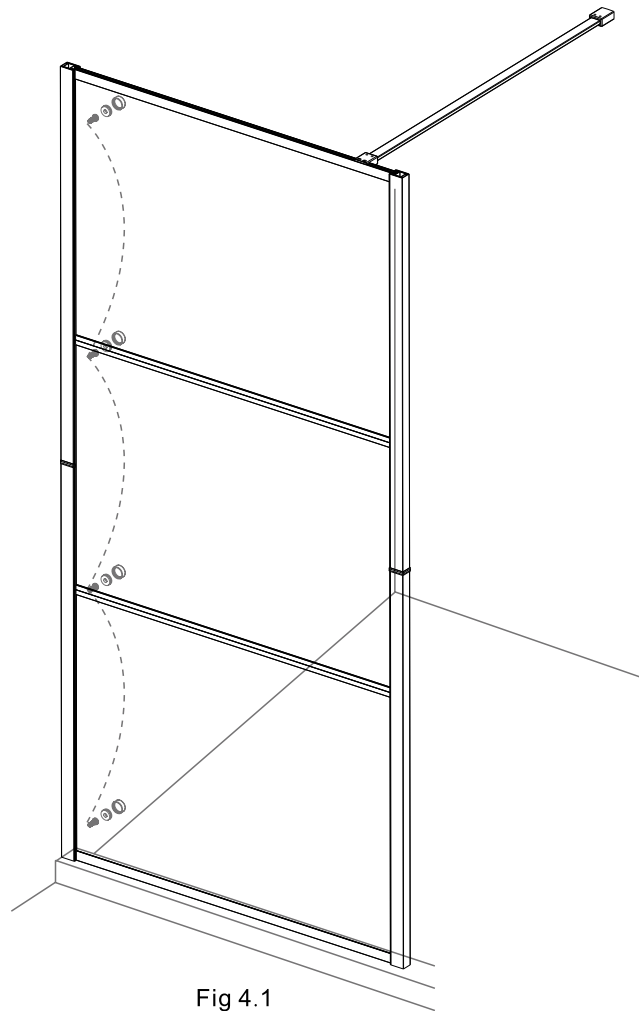
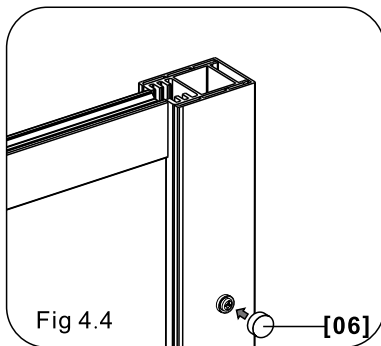
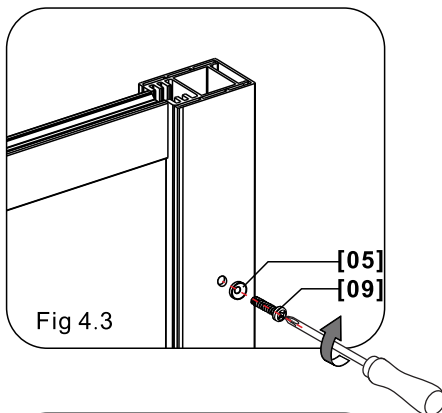
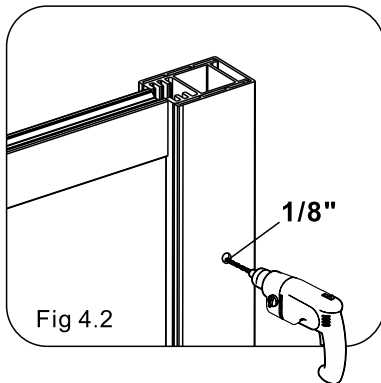
### Step 3

5. Position the **Wall Bracket [08]** to its outline on the wall and mark the **screw hole of Wall Bracket [08]** from the inside of it. (Fig 3.6)
6. Drill a 1/4" hole at the marked location and insert the **Anchors [04]**. (Fig 3.7, Fig 3.8)
7. Secure the **Wall Bracket [08]** on the wall with **Screws [11]**. (Fig 3.9)
8. Install the **Support Bar [02]** to the **Bracket [07]** and **Wall Bracket [08]**. Make sure the screw holes of brackets face upward. Attach **Bracket [07]** to the top of **Shower Panel A [03A]**. Align the **screw holes of flange** to the **screw holes** at the top of **Shower Panel A [03A]** and secure it with **Screws [11]**. (Fig 3.10, Fig 3.11, Fig 3.12)
9. Tighten the hex screws on **Bracket [07]** and **Wall Bracket [08]** to secure the **Support Bar [02]**. (Fig 3.13, Fig 3.14)



## Step 4

1. Drill 1/8" holes through the holes of **Wall Jambs [01]**. (Fig 4.2)
2. Secure **Wall Jambs [01]** and **shower panels** with **Gaskets [05]** and **Screws [09]**. (Fig 4.3)
3. Install the **Caps [06]** to the **Screws [09]**. (Fig 4.4)



## Step 5

1. Install the **Covers [12]** to the top corners as figure shows. (Fig 5.2, Fig5.3)
2. Apply a good quality Silicone Sealant at the outer corner formed by the wall and the shower door. (Fig 5.1)

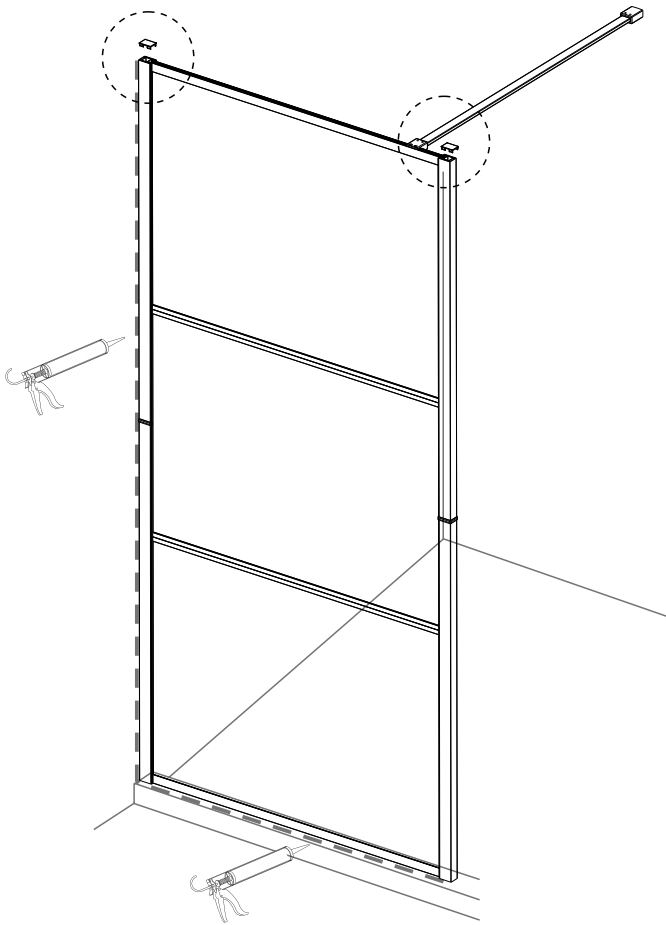


Fig 5.1

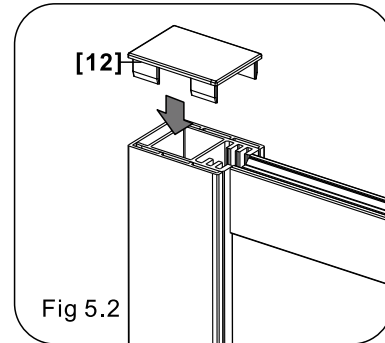


Fig 5.2

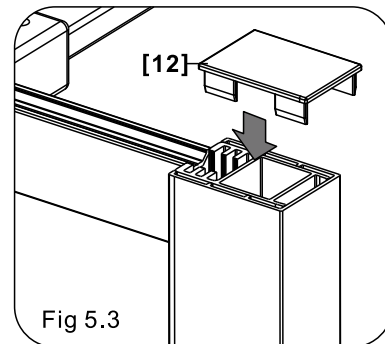
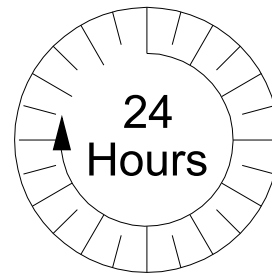


Fig 5.3



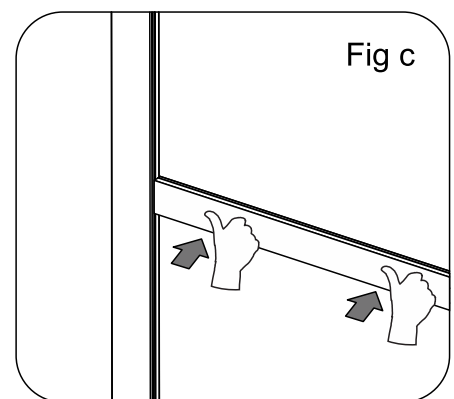
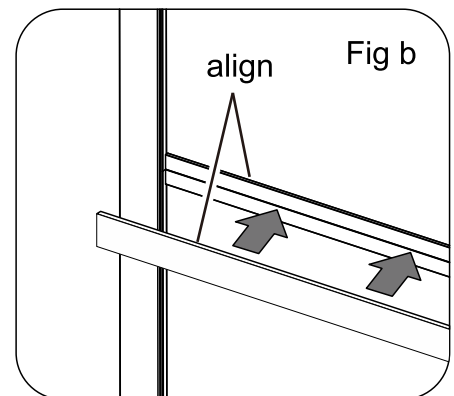
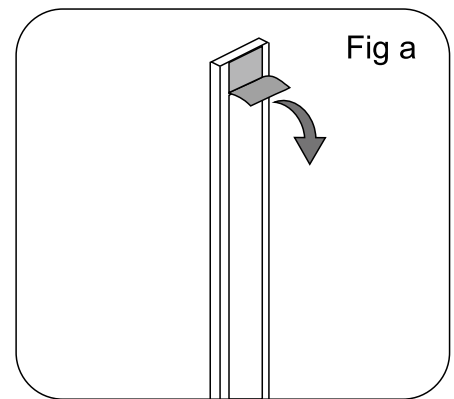
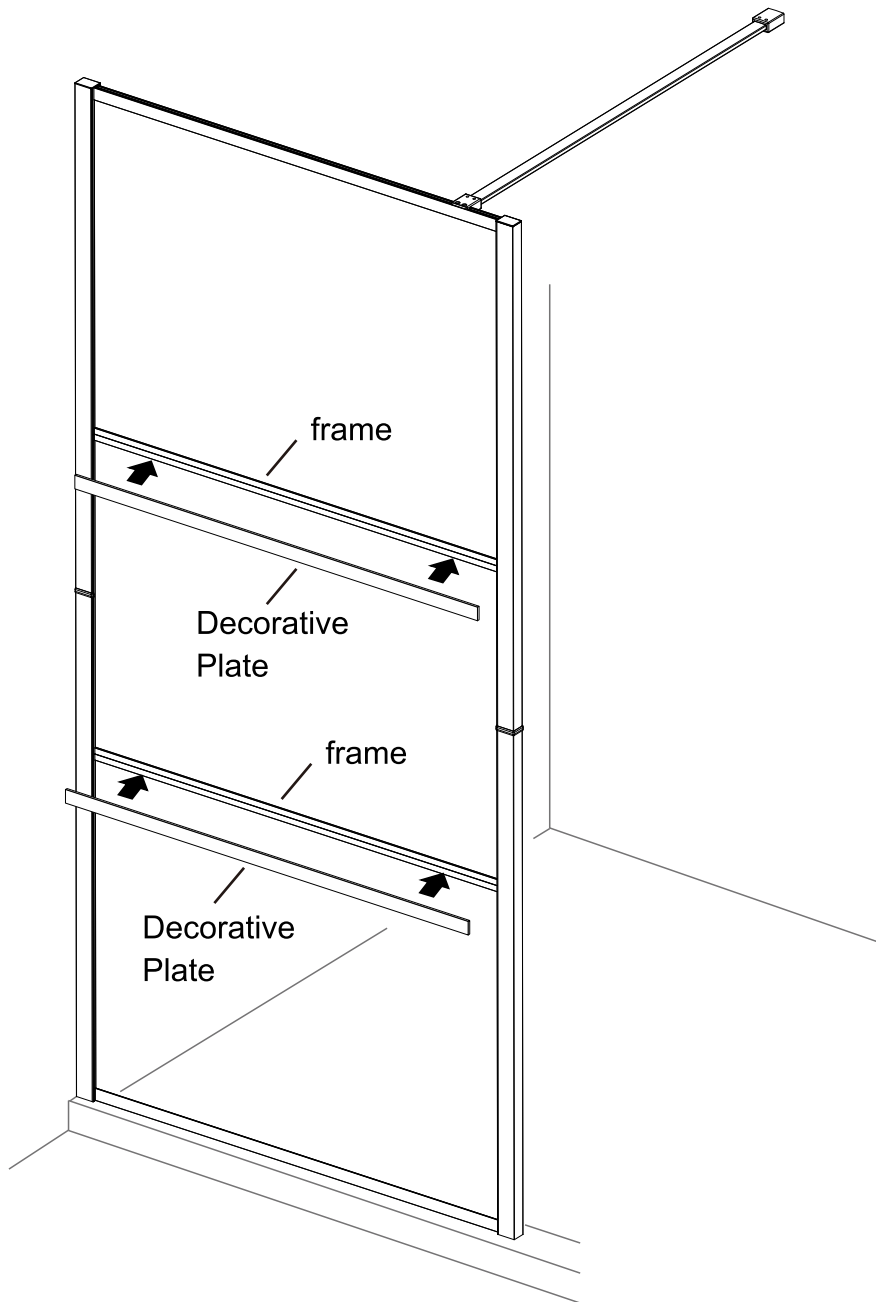
**Allow 24 hours for the silicone to fully cure before using the shower.**

### NOTICE:

The installation above is for shower panel installed on the left. To install the shower panel to the right, flip the **Wall Jambs [01]** in step 1, install the **Support Bar [02]** to the left side of shower panel in step 3.

## *Just one more step to make your shower panel looks better!*

1. Take out two **Decorative Plate** from the package.
2. Tear off the films from the back of the **Decorative Plate**. (Fig a)
3. Carefully align the edge of **Decorative Plate** with the frame from the outside of the panel. (Fig b)
4. Slightly press the **Decorative Plate** to the frame from one end to the other end. (Fig c)





## Care & Maintenance

**BASES and BACK WALLS:** Wipe them off after each use with a soft cloth. To clean the acrylic surface, use non-abrasive sprays or cream based cleaners. Avoid the use of aerosol spray cleaners. Never use abrasive cleansers, metal brushes, or scrapers, as they can scratch or dull the surface.

**GLASS:** Wipe off the glass after each use with a soft cloth or a squeegee to prevent soap buildup and water spots (hard water can etch the surface of the glass over time if left to dry). To avoid damaging the surface, never use abrasive cleaners or cleaning products that contain scouring agents. Likewise, never use bristle brushes or abrasive sponges that can scratch the surface.

**HARDWARE:** To ensure a long-lasting finish, wipe off the metal parts after using with a soft cloth. Do not use abrasive cleaners or cleaning products containing ammonia, bleach, or acid. If accidentally used, rinse the surface as soon as possible to prevent damage to the finish (peeling or corrosion). After cleaning the polished finishes, rinse thoroughly and wipe dry with a soft cloth. Clean stainless steel surfaces at least once a week. When applying stainless steel cleaner or polish to stainless steel hardware, work with (not across) the grain. Never use an abrasive sponge or cloth, steel wool, or wire brush, which may permanently scratch the surfaces.

**NOTE: Regularly inspect the glass and all hardware for misalignment, proper attachment, and damage. Contact ANZZI with any questions or concerns.**

