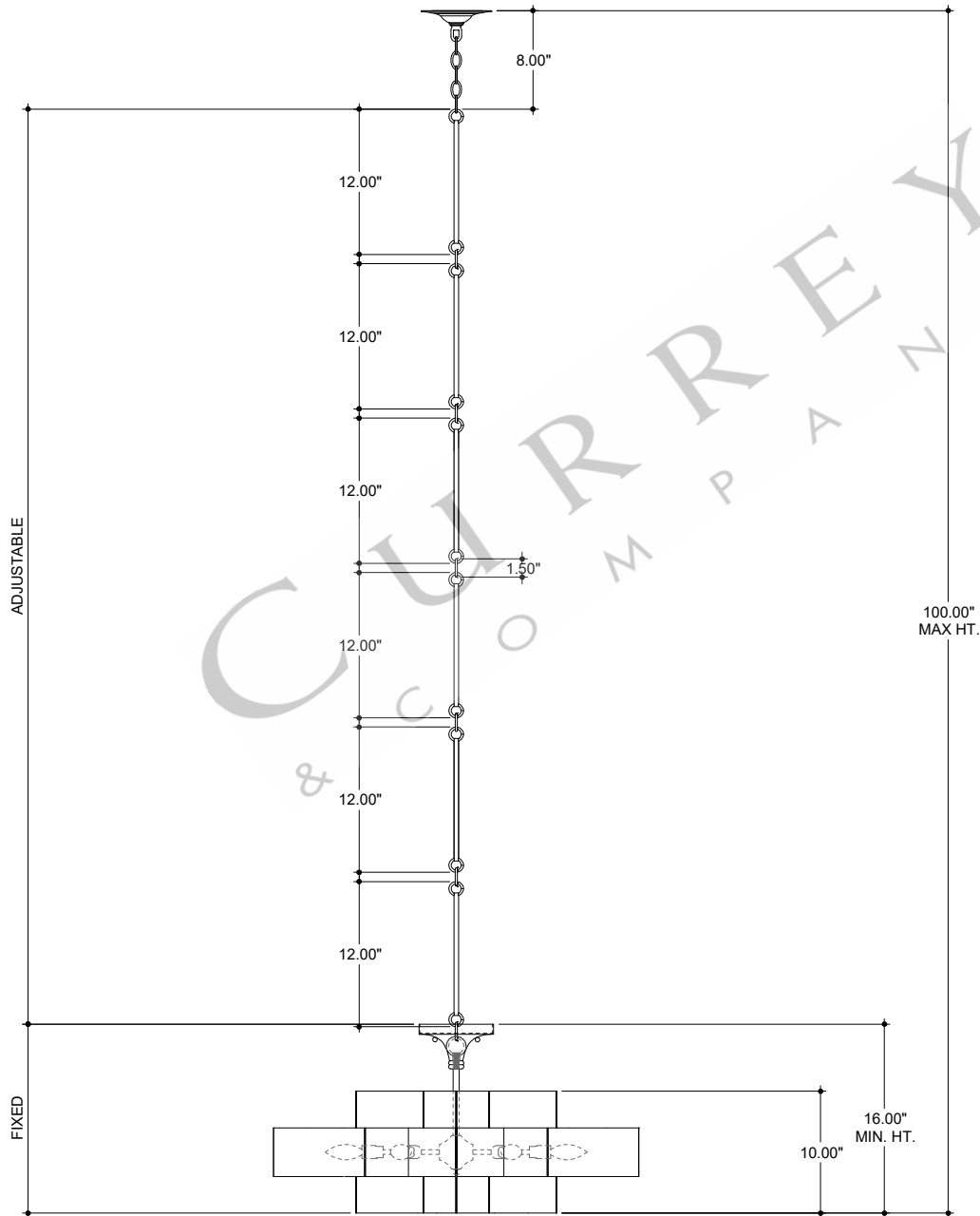
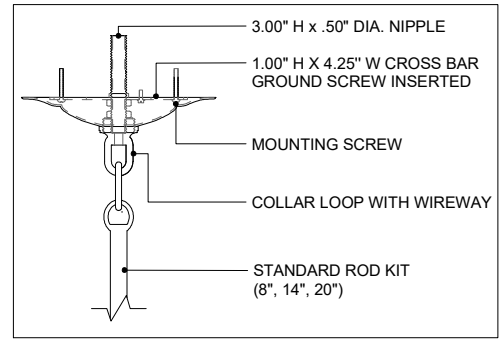


TOP VIEW



FRONT VIEW

CURREY & COMPANY