

These adapters are for use with Aculux® new construction housings when ceiling thicknesses exceed 7/8".

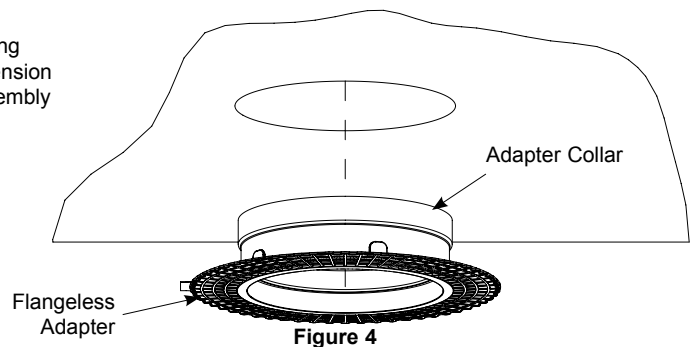
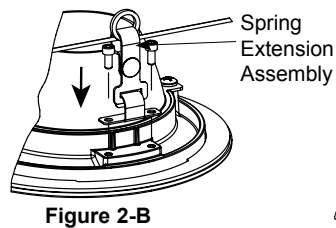
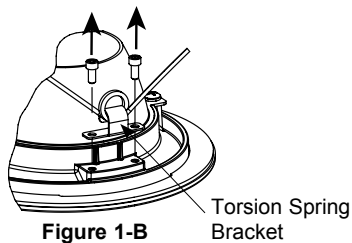
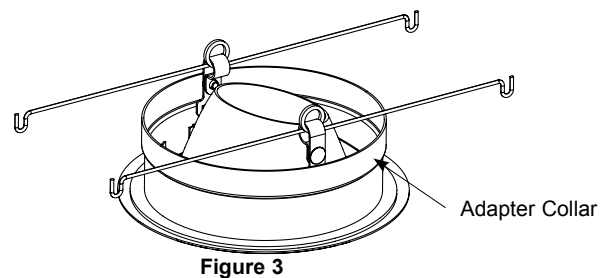
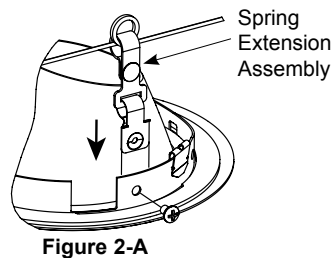
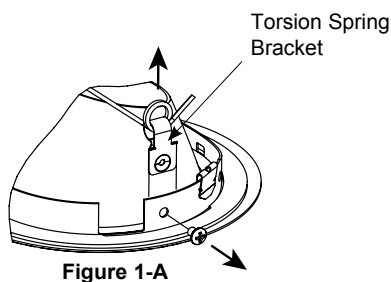
- CTA3/125 is for ceilings 7/8 – 1-1/4" thick.
- CTA3/163 is for ceilings 1-1/4 – 1-5/8" thick.
- CTA3/200 is for ceilings 1-5/8" – 2" thick.

Installation with Standard Aculux® Trims (trim ring and self flanged versions):

- Step 1.** Install housing, supply power to housing, and install ceiling per instructions supplied with housing.
- Step 2.** On the trim, loosen the screws and remove torsion spring brackets from trim as shown in figures 1-A or 1-B.
- Step 3.** Remove black torsion springs from the brackets and discard.
- Step 4.** Attach spring extension assemblies to the torsion spring brackets as shown in figures 2-A or 2-B
- Step 5.** Reattach torsion spring brackets to trim using the hardware removed in step 2.
- Step 6.** Slide collar over trim with wide side facing up as shown in figure 3.
- Step 7.** If kit is supplied with an extended lampholder, remove original lampholder from fixture, remove lens, and discard lampholder. Insert lens into extended lampholder, insert lamp, and attach extended lampholder to housing (MR16 style only.)
- Step 8.** Aim fixture, and install trim.

Installation with Flangeless Aculux® Trims

- Step 1.** Install housing, supply power to housing, and install ceiling per instructions supplied with housing.
- Step 2.** Place collar over flangeless adapter with wide side up as shown in figure 4.
- Step 3.** Continue with flangeless adapter installation as outlined in the corresponding instruction sheet.
- Step 4.** On the trim, loosen the screws and remove torsion spring brackets from trim as shown in figures 1-A or 1-B.
- Step 5.** Remove black torsion springs from the brackets and discard.
- Step 6.** Attach spring extension assemblies to the torsion spring brackets as shown in figures 2-A or 2-B
- Step 7.** Reattach torsion spring brackets to trim using the hardware removed in step 2.
- Step 8.** If kit is supplied with an extended lampholder, remove original lampholder from fixture, remove lens, and discard lampholder. Insert lens into extended lampholder, insert lamp, and attach extended lampholder to housing (MR16 style only.)
- Step 9.** Aim fixture, and install trim.



Product Services Phone (888) 387-2212