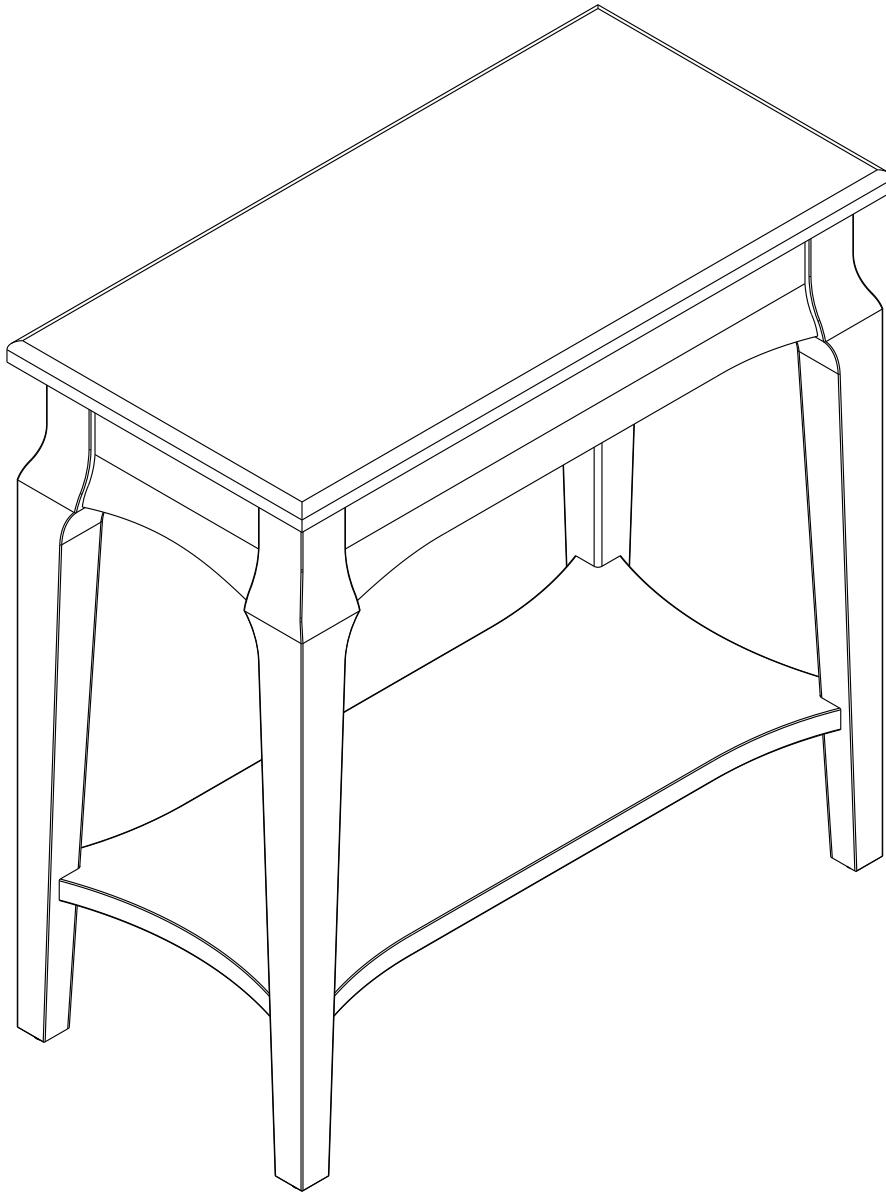


Your new Leick Home table will give you years of trouble-free performance. Thank you for choosing our product for your home. **Please read carefully and save these instructions, as you may need them at a later date.**

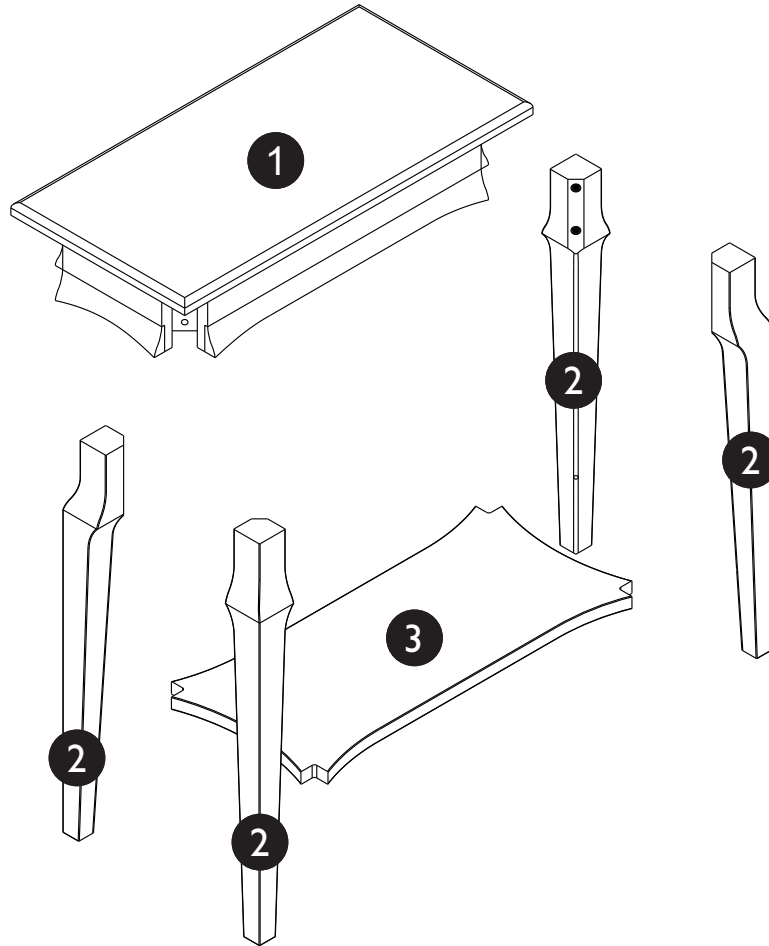


Follow Us on Social     

Design House Inc. reserves the right to make changes in materials, specifications, & models at any time. Design House Inc. also reserves the right to discontinue product without notice or obligation.

PARTS INCLUDED

Please confirm all parts are available before starting assembly.



HARDWARE INCLUDED

Please confirm all hardware are available before starting assembly.

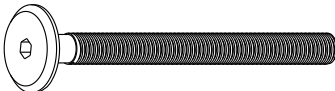
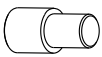
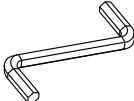
Ref.		Qty.
A	 Bolts 1/4 x 50 mm	8
B	 Shelf Support	4
C	 Hex Key	1

Figure 1 Fasten the legs with (8) bolts (A) and hex key (C).

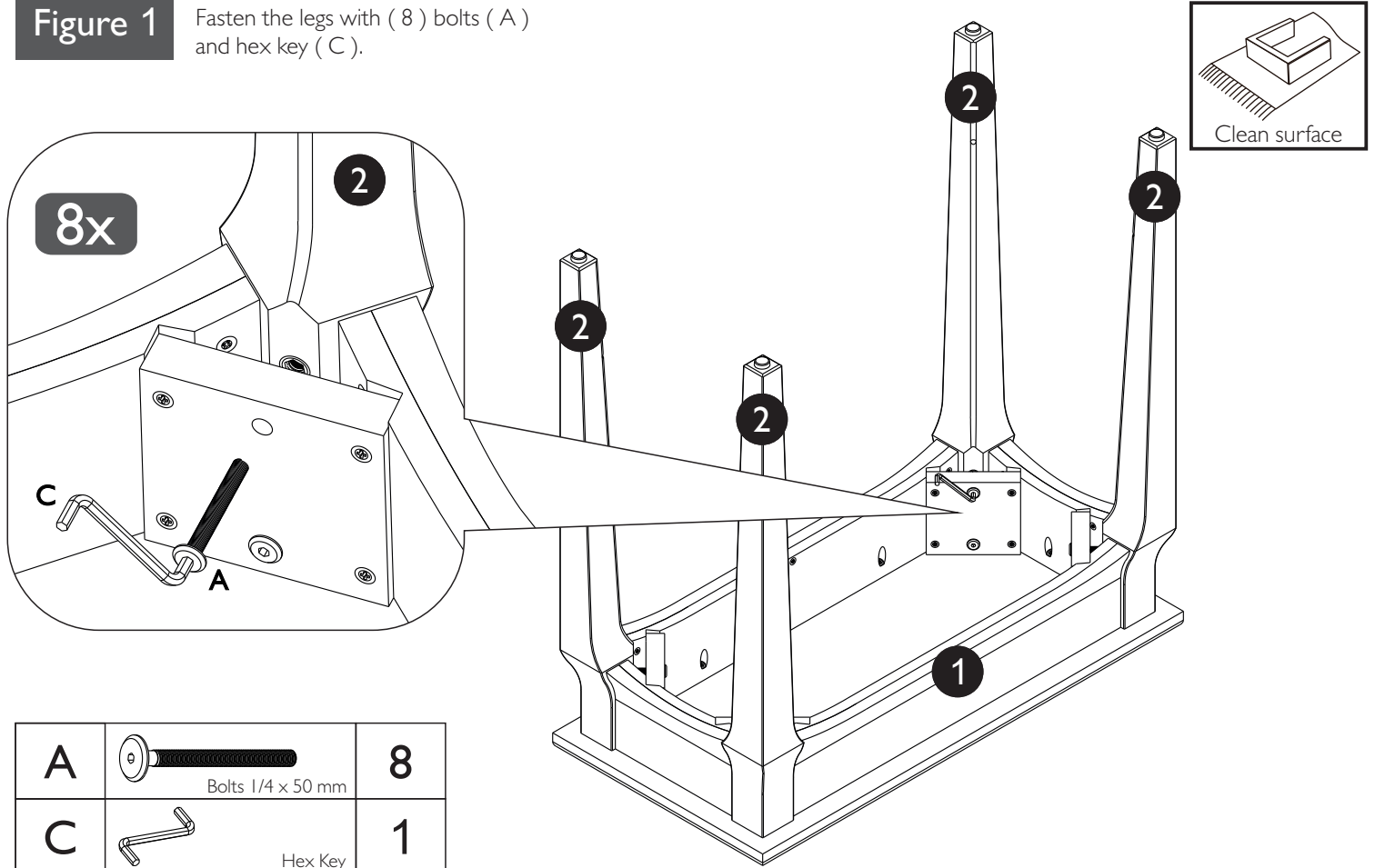


Figure 2 Place the shelf upside down until the shelf sits just below the holes in the legs. Insert the shelf supports into the holes.

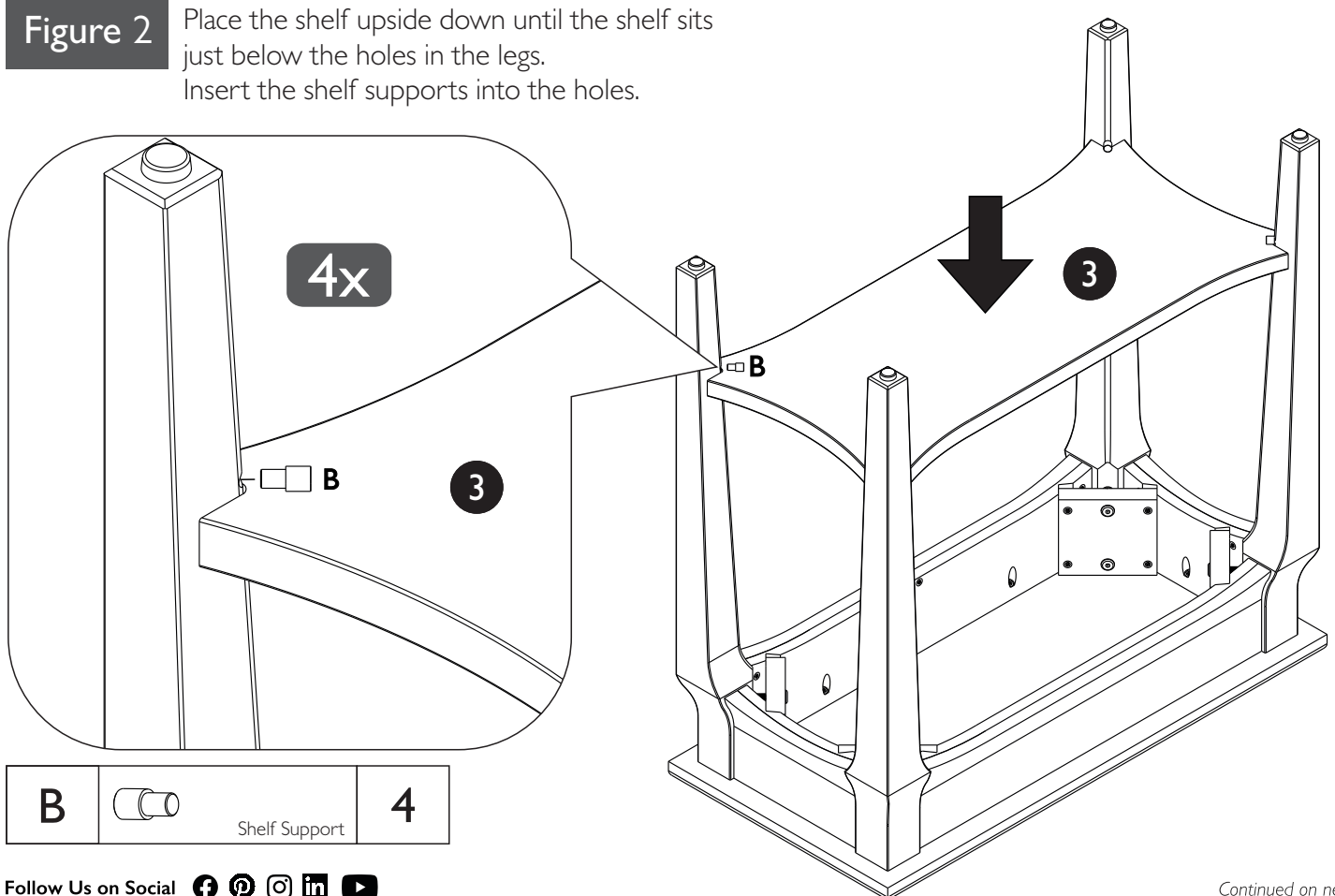


Figure 3

Place the shelf on shelf supports.

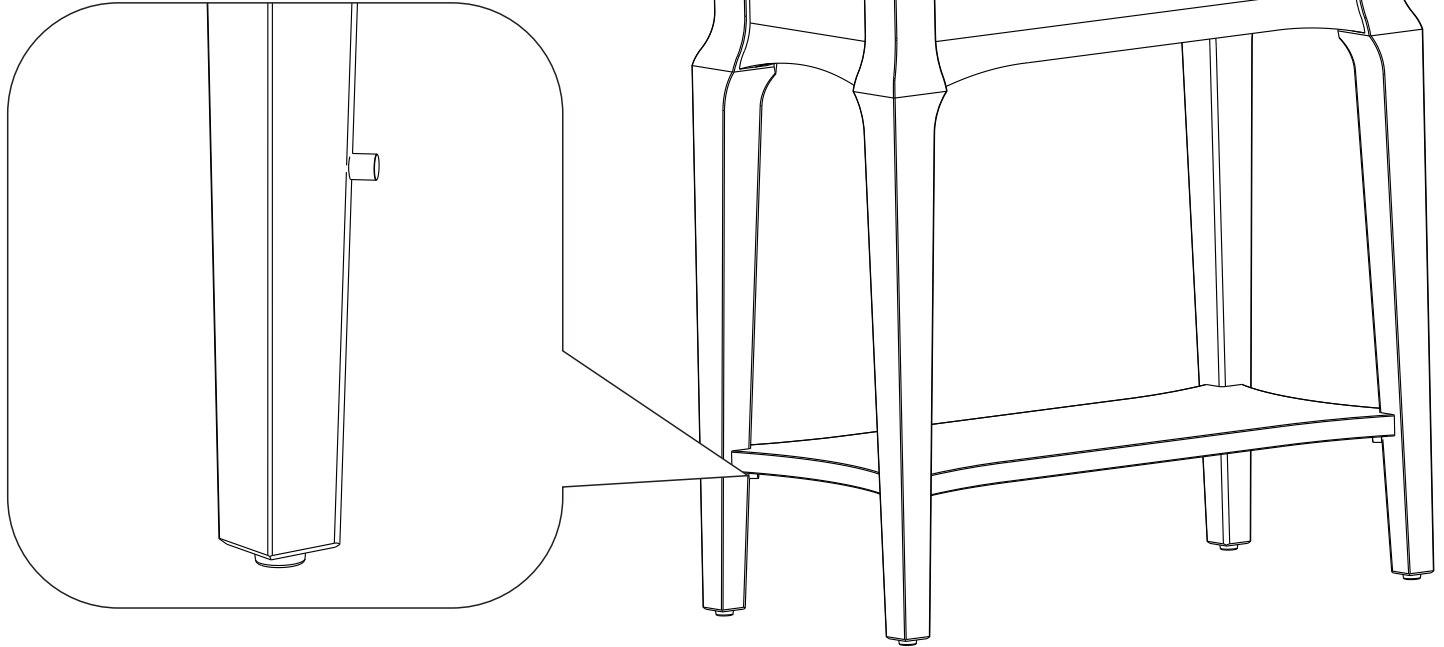
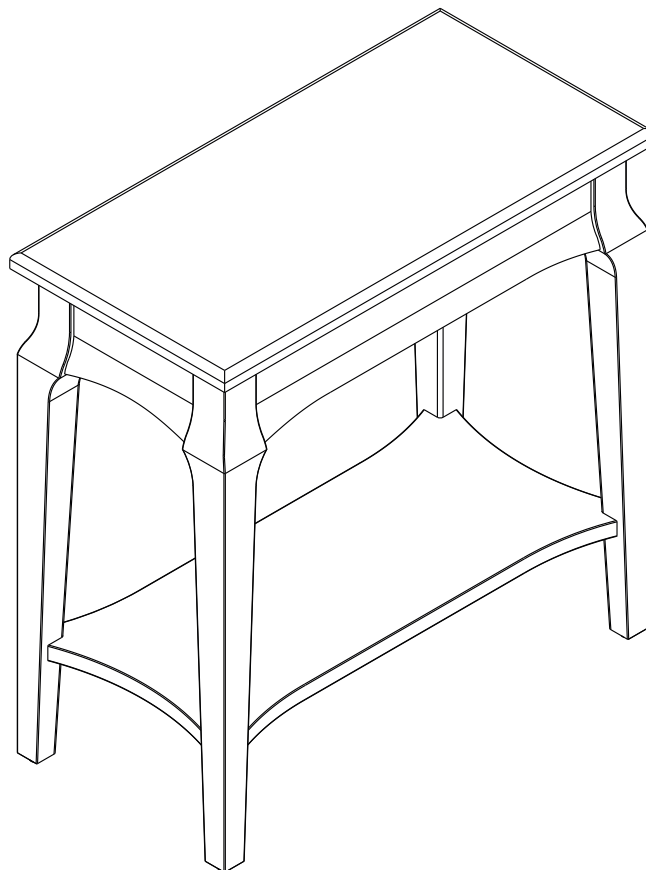


Figure 4



Follow Us on Social     

Design House Inc. reserves the right to make changes in materials, specifications, & models at any time. Design House Inc. also reserves the right to discontinue product without notice or obligation.

Final Assembly