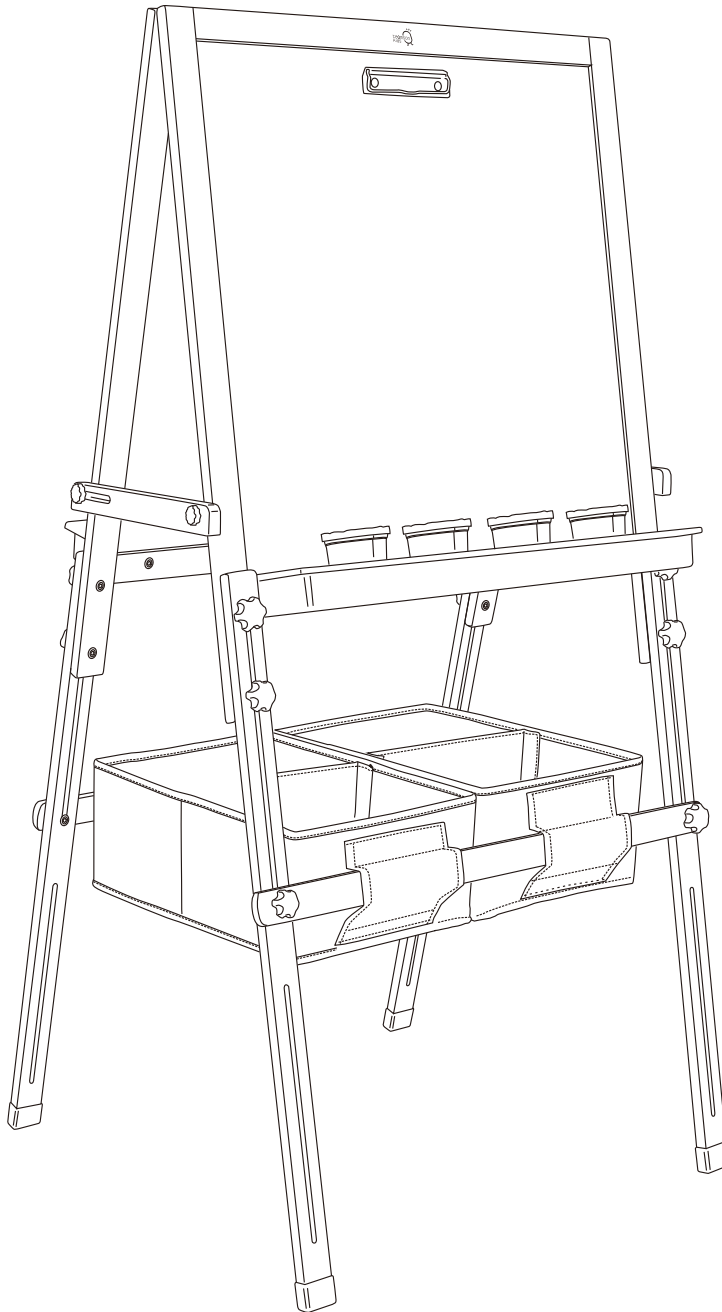




Little Artist VanGogh Kids Easels

TK-FB028

Assembly Instruction



USA



1-800-935-3959

Mon - Fri 9:00am ~ 4:30pm EST

✉ support@teamson.com

EU



+44 (0) 1952-916050

Mon - Thu 9:00am ~ 5:00pm GMT

Friday 9:00am ~ 4:00pm GMT

✉ support@teamson.co.uk

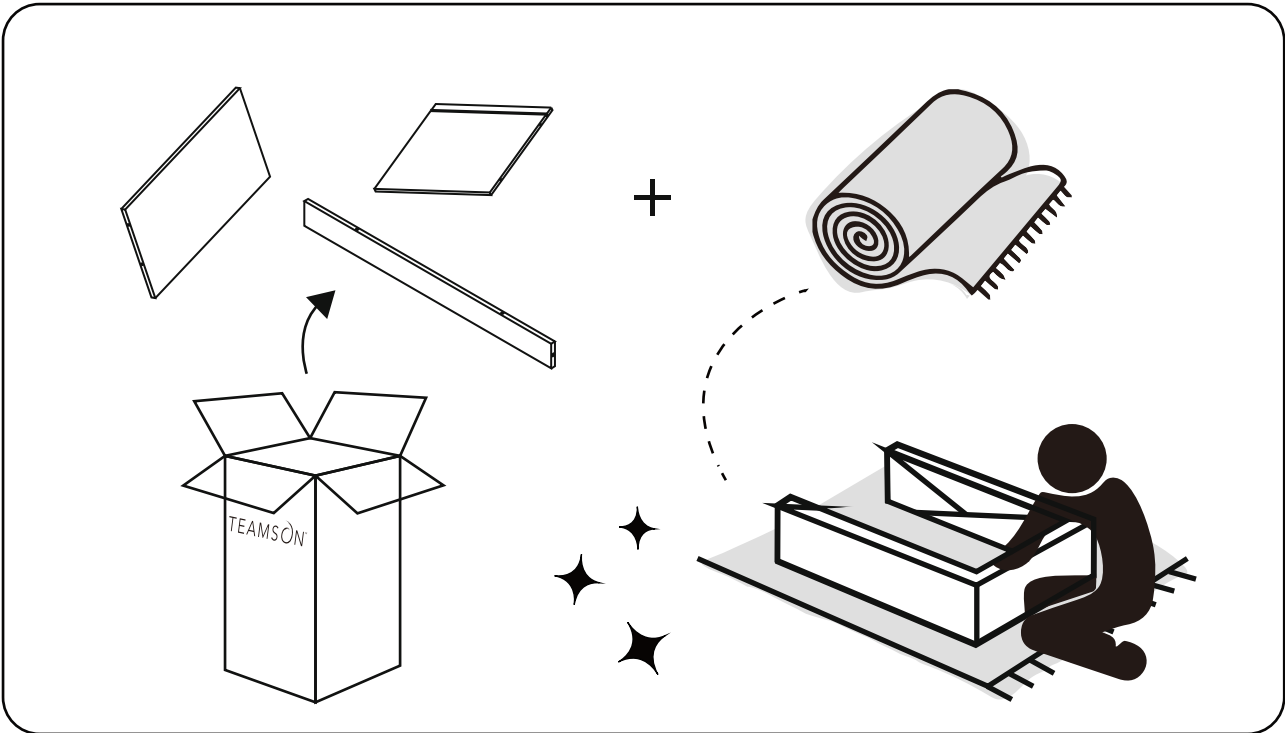
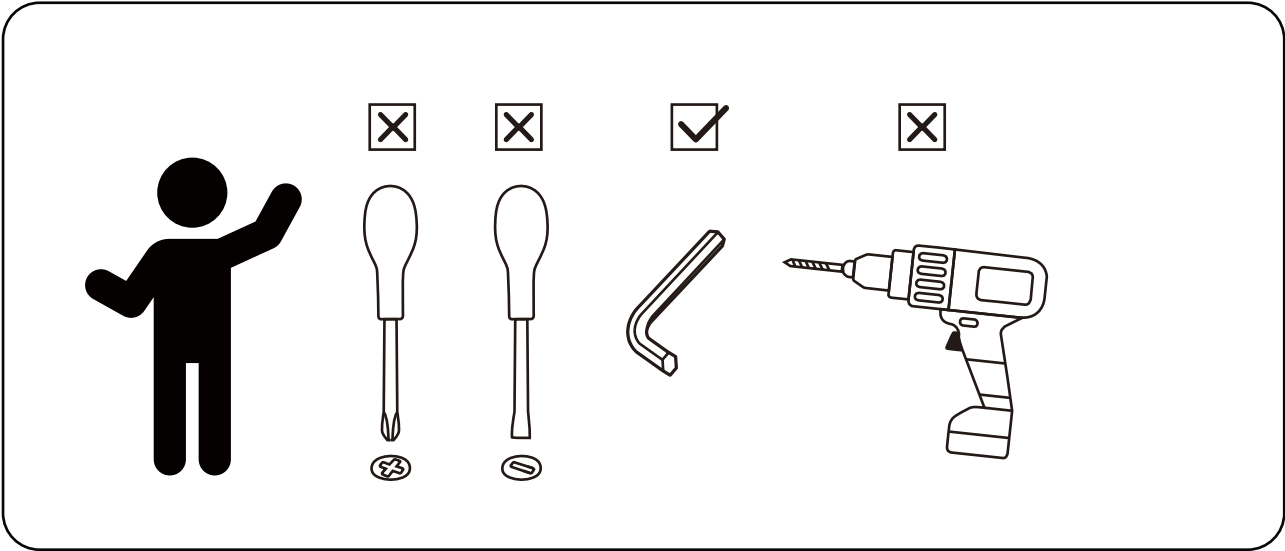


WARNING

CHOKING HAZARD-small parts

Not for children under 3yrs

The toy is to be assembled by an adult.

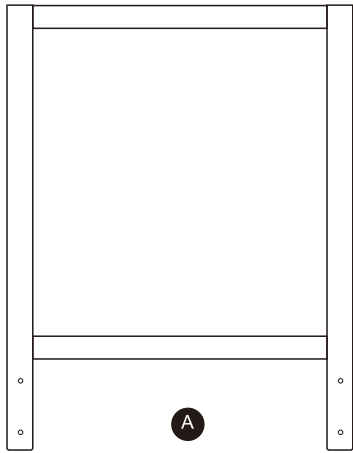
A graphic showing a person on the right holding a telephone receiver to their ear and a book labeled 'Assembly instruction'. A question mark is above their head. On the left is a large rectangular area with the 'TEAMSON' logo and two small boxes below it. Below this area are two contact options: 'USA ☎ 1-800-935-3959' and 'EU ☎ +44 (0) 1952-916050'.

USA ☎ 1-800-935-3959

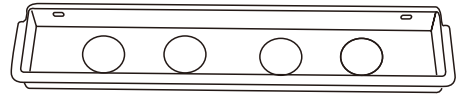
EU ☎ +44 (0) 1952-916050

Made in China

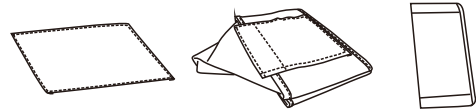
Product Parts



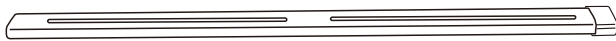
A



B 2 PCS



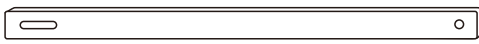
C 2 PCS



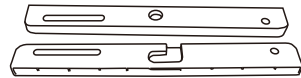
D 4 PCS



E



F 2 PCS



G

Hardware Parts

1



16 PCS

2



8 PCS

3



4 PCS

4



4 PCS

5



8 PCS

6



4 PCS

7




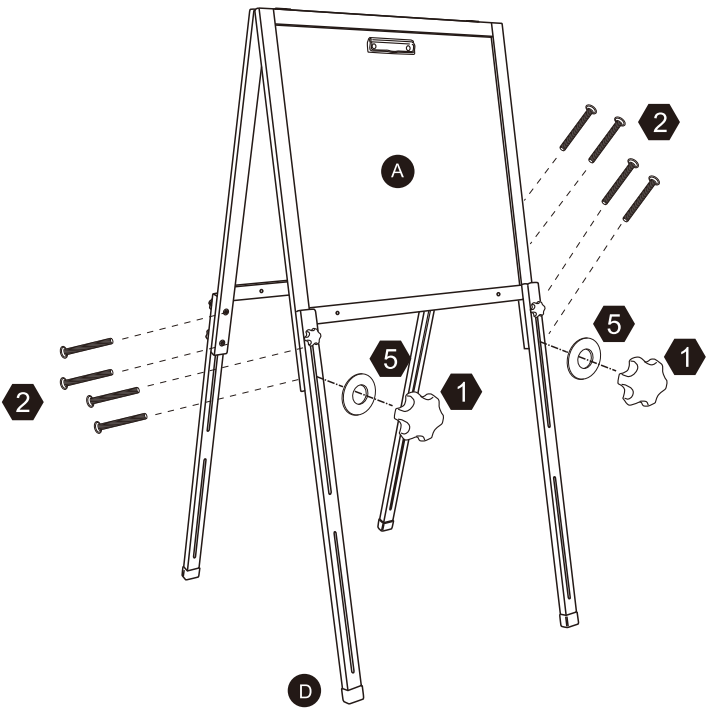
4 PCS

8



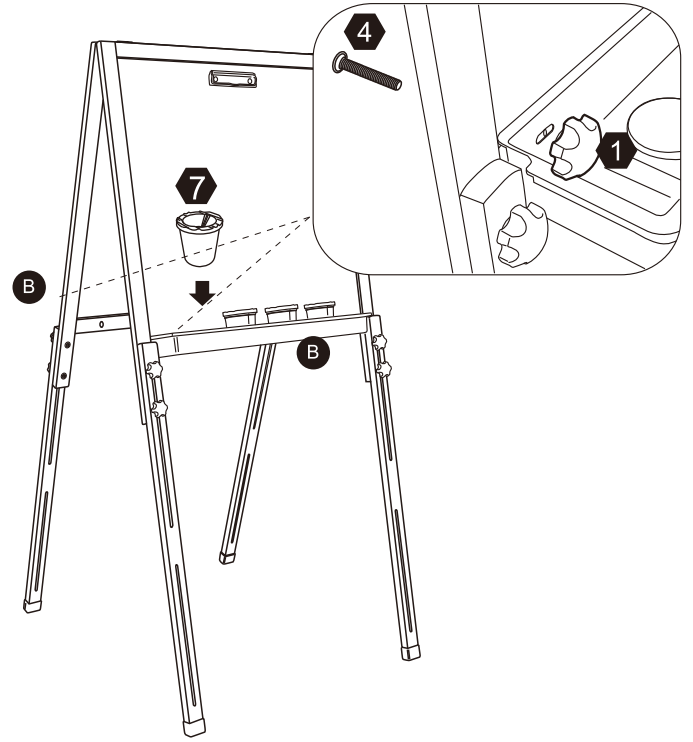
Step 1

- 1  8 PCS
- 2  8 PCS
- 5  8 PCS



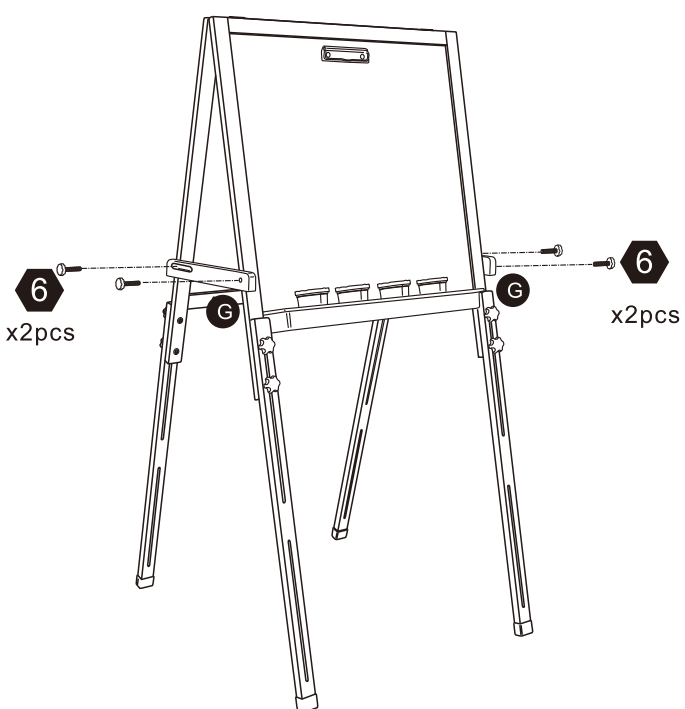
Step 2

- 1  4 PCS
- 4  4 PCS
- 7  4 PCS



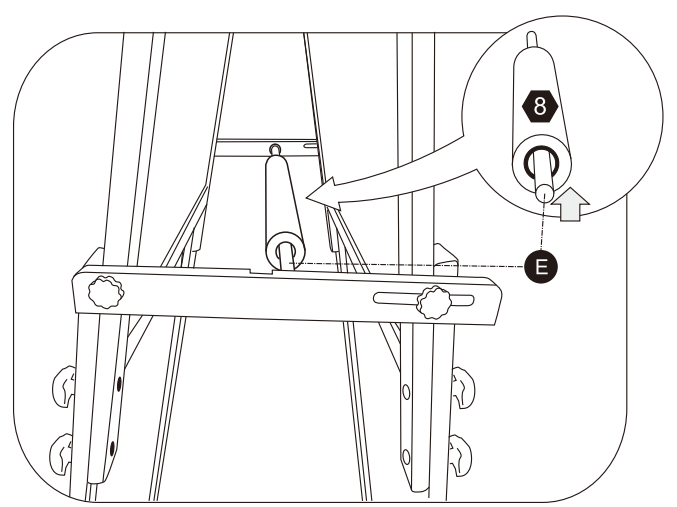
Step 3

- 6  4 PCS

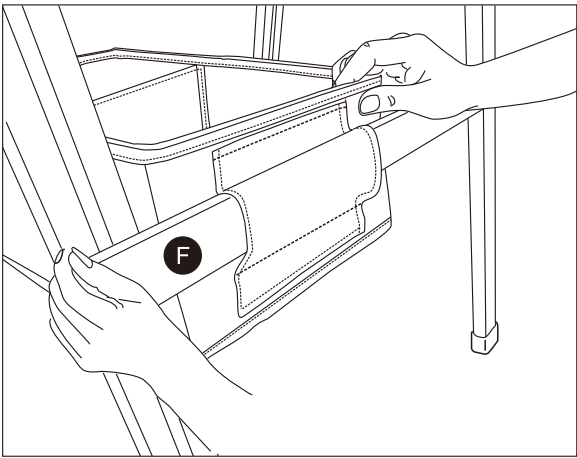
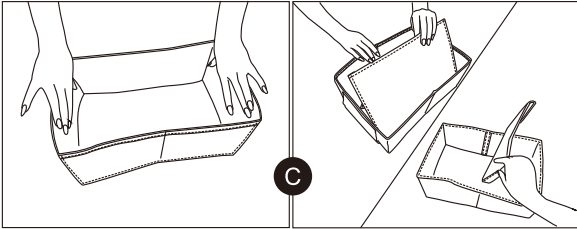


Step 4

- 8 



Step 5

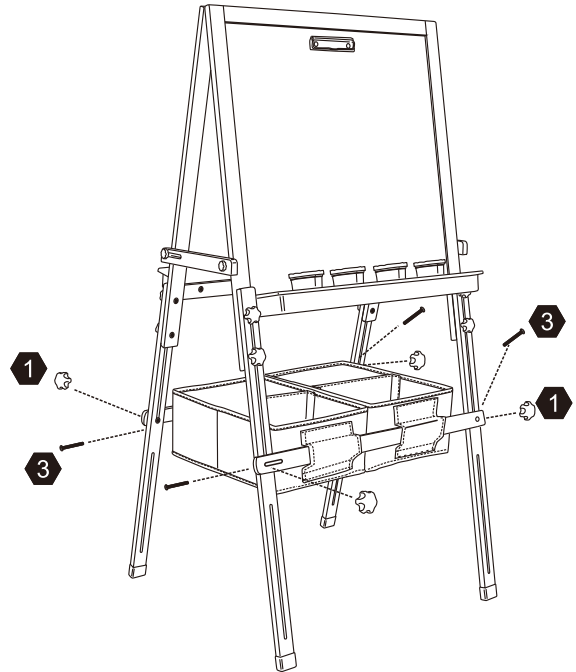


Step 6

①  4 PCS

③  4 PCS

Remove the films on whiteboard and chalkboard before use.



- Please do not wash with water.
- Use eraser or soft cloth to clean the board. Eraser is not included.
- Do not use hard objects on the boards to prevent scratches.
- Do not expose the easel to direct sunlight.
- Use white board markers only for whiteboard. Do not use permanent markers.
- Remove the films on the whiteboard and chalkboard before use.