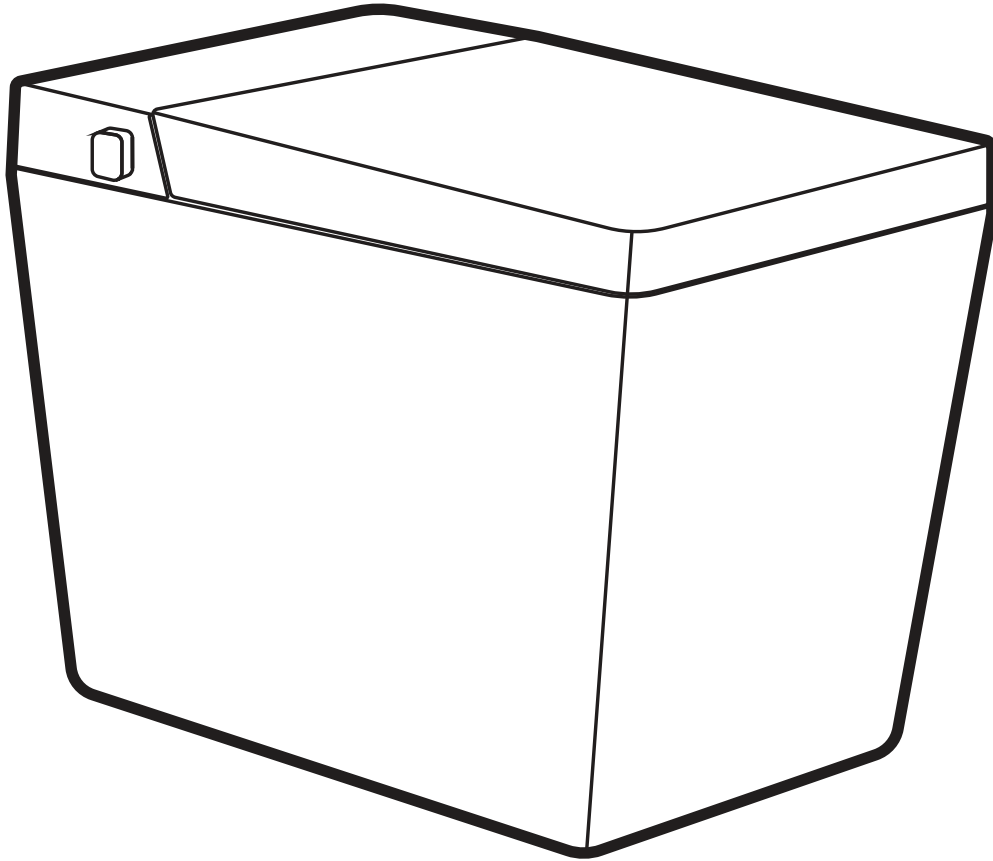


Smart Toilet

USER MANUAL





PRIOR TO INSTALLATION:

- Inspect toilet to ensure no damages have occurred while in shipping.
- Observe all plumbing and building codes in accordance with your state and local requirements.
- All dimensions are nominal! Be sure to measure your toilet prior to installation.
- The step-by-step guidelines in the installation instructions are a general reference. Should there be any discrepancies, Swiss Madison cannot be held liable. It is recommended to install all Swiss Madison products by hiring a licensed professional.
- Read installation and maintenance instructions thoroughly before installing. Be sure to use proper tools and always wear proper personal safety accessories for your protection.
- Two people are recommended to handle and install this product as it is fragile.

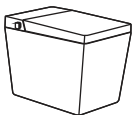
QUESTIONS OR CONCERNS?

Please contact us:

1-434-623-4766

info@swissmadison.com

INCLUDED PARTS:



Smart Toilet



Flange Ring

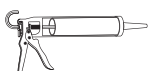


Remote

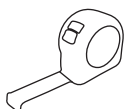
SUGGESTED TOOLS & MATERIALS:



Safety Glasses



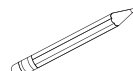
Glue Gun



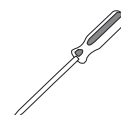
Tape Measure



Wrench



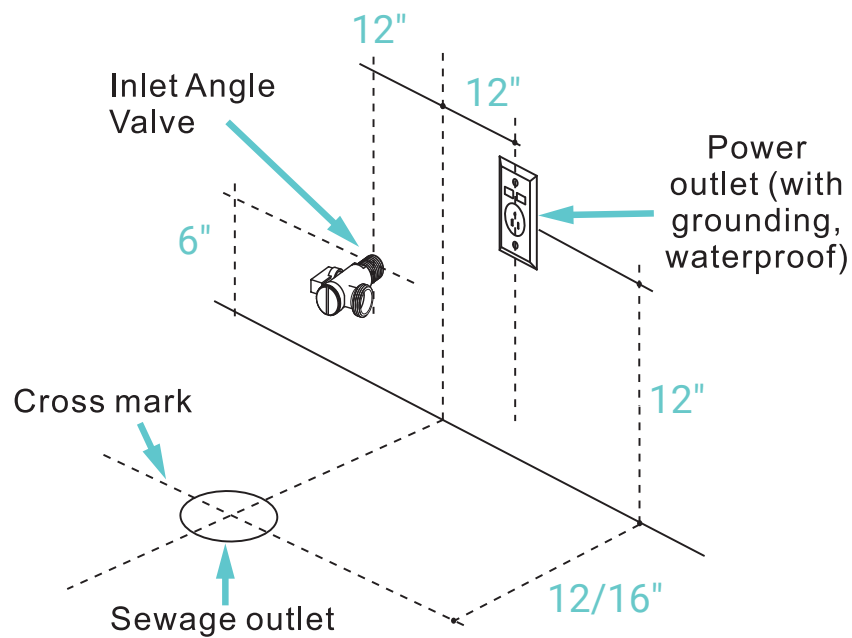
Marker



Screwdriver

INSTALLATION PREPARATIONS:

- Make sure that the floor tiles and the wall tiles have been paved, and that a pit tube and a water supply pipe are reserved.
- Reserve the installation position according to the dimensions given in the figure below (symbols * refer to the recommended dimensions) to ensure normal use of the water supply pipe.
- Make sure the distance between center of the pit tube and the wall, i.e., the pit distance, matches with the product.
- Turn on the water supply switch to drain water to flush away the mud and other foreign matters in the reserved water pipes to avoid blockage of the water pipes..



Be sure to set the power outlet as follows:

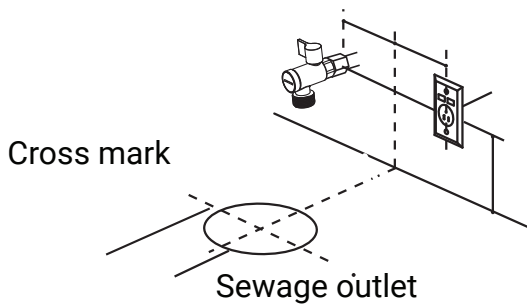
1. Confirming that the power socket used is handled by proper grounding.
2. The length of the power cord is 5 feet, and the location of the socket should be close to this product to facilitate installation and removal, and as far away from the bathtub as possible.
3. It is recommended to use a waterproof type socket, do not use an extension cord to connect this product.
 - May cause fire or electric shock.



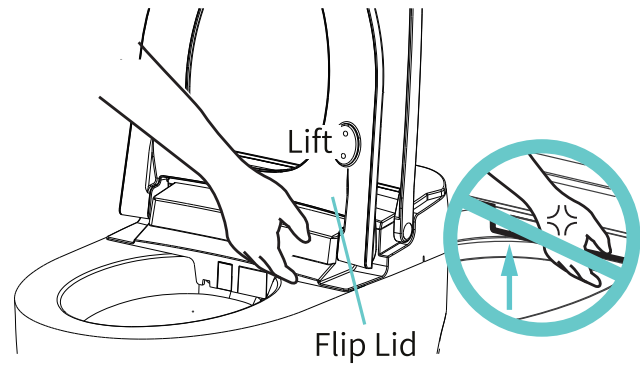
Warning

INSTALLATION:

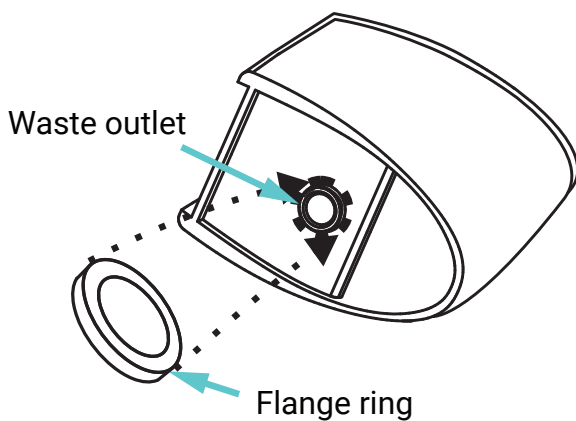
- 1** • For the bathroom newly installing a toilet, a flange with bolt shall be added.



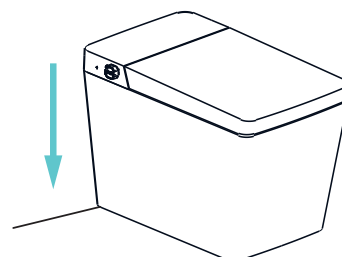
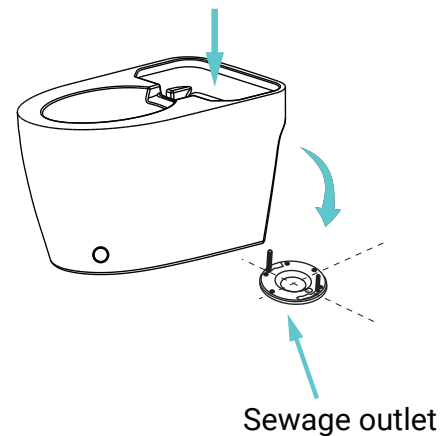
- 2** • Lift the flip lid assembly from the toilet, up from the inside.



- 3** • Install the flange ring on the ceramic bottom drain and make a tight connection.

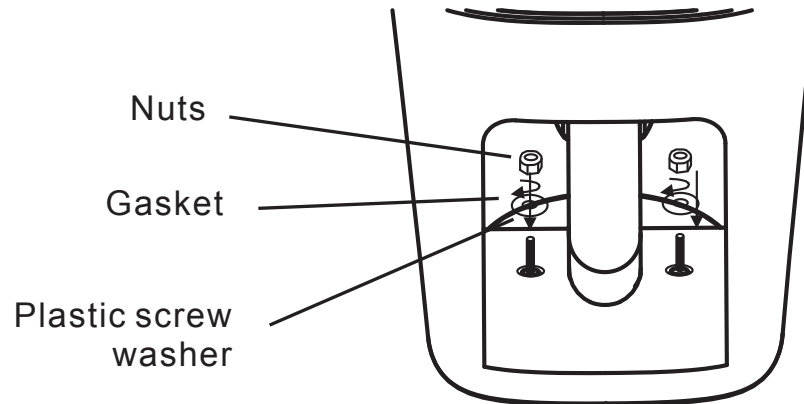


- 4** • Two people lift the ceramic, align the bolts to the holes on the bottom of the ceramic. Gently press the bowl down to ensure a strong seal with the wax ring.



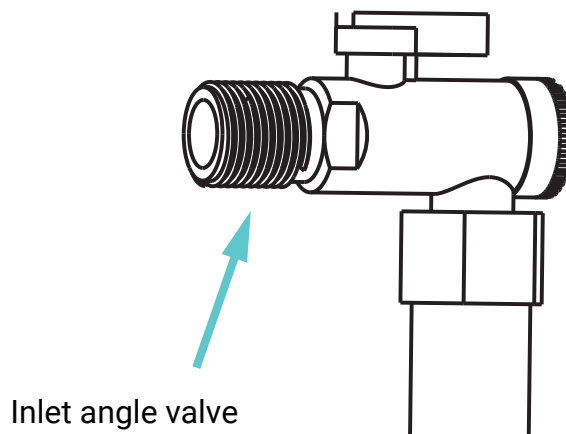
5

- Use a spanner to lock the nut and other accessories to the retaining bolts (from the top).
Note: Do not move the ceramic body or rock it from side to side after the mark have coincided.
- With the seat removed, tighten the floor bolts. After tightening, attach the seat for final installation



6

- Install the water inlet angle valve.
Note: Installation of water inlet angle valve before depending on the water quality must be drained for 2 to 5 minutes.

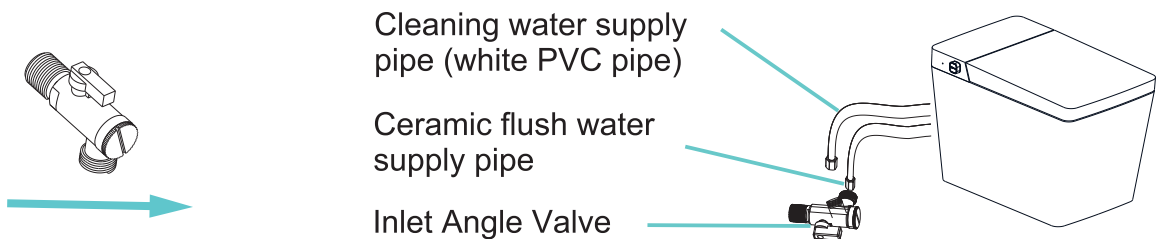


PLUMBING INSTALLATION:

Connect one end of the braided hose to the angle valve, when connecting, please do not tighten too much, otherwise it will damage the sealing ring and lead to water leakage in the pipeline.

CAUTION:

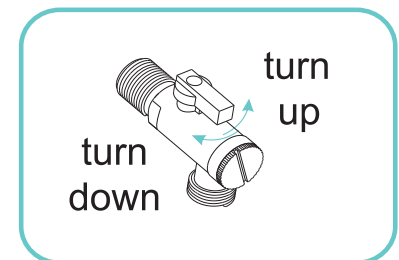
1. If the cleaning water line and ceramic flushing water line are separate models, two lines must be connected.
2. Open the water inlet angle valve to the maximum, make sure there is no water leakage in each connection part, if found leakage, please re-install.
3. Do not enter the pipe sealing material into the internal pipeline, otherwise it may cause the whole machine to fail.



Remove the old water inlet angle valve and replace it with a new one.

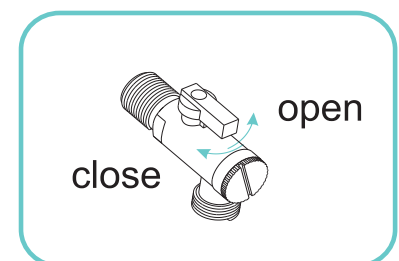
NOTE: The water inlet hose must not be folded, otherwise the water pressure will be too low and the product will not work properly.

NOTE: This product has Vortex™ Flush technology. High water pressure can cause slight splashing above the ceramic wall. To avoid this, you may adjust the water inlet angle valve to reduce the water pressure.

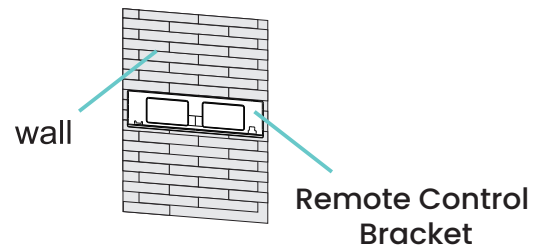
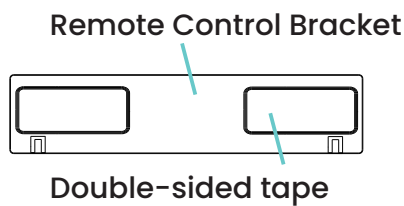


CAUTION:

In case of power failure during use, please close the angle valve and stop the water supply, and the function will be restored to normal after self-test.



REMOTE CONTROL INSTALLATION



ATTENTION:

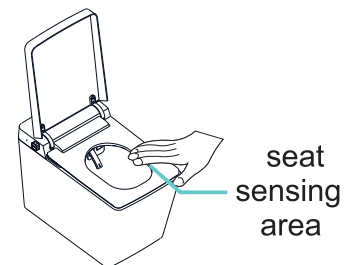
1. The installation location must be cleaned before pasting, press the tape hard and evenly when pasting, and use it after 15 minutes.
2. Double-sided adhesive tape is suitable for pasting tile-type flat wall, not suitable for pasting wallpaper-type wall.
3. Do not enter the pipe sealing material into the internal pipeline, otherwise it may cause the whole machine to fail.

TEST RUN

The first time you turn on the water and power, wait until the machine self-test is completed, then proceed to the following steps:

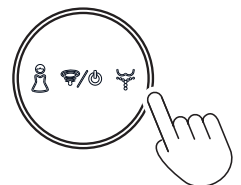
1. Human Seat Sensor Function Test

- The area shown in the picture is the human body seating sensing area, when you turn on the washing and drying function, you must be seated. When you are seated, you will hear a "tick" to indicate that you are seated.



2. Check the Basic Functions

- Operate the knob or the remote control "Hip Cleaning", each function should be normal, and there should be no water leakage, odor and noise and other undesirable phenomena.



After the product functions normally, fill the uneven part of the ground with filler to make the ceramics stable, and use the glass glue gun to put glass glue along the bottom of the ceramics.

IMPORTANT: After the product is glued, please use it after 48 hours.

TROUBLE SHOOTING

FAILURES	INSPECTION METHODS	TROUBLESHOOTING
Product does not work	Check that the leakage protection power cord indicator light is on?	If not illuminated, check the external power supply to the circuit.
	Is the leakage protection power cord indicator light on and is it on?	Re-power on, or long press the knob for 3s to turn on the machine.
No water from nozzle	Check for water outages?	Pending restoration of water supply.
	Check that the angle valves are closed?	Open the angle valve.
	Check for clogged filters?	Cleaning filters.
	Check the inlet hose for bends?	Eliminate bent inlet pipes.
Insufficient cleaning strength	Check that the wash water pressure is set at a low setting?	Adjust the wash water pressure level according to the instructions.
	Check for clogged angle valve filters?	Cleaning filters.
Washer nozzle dripping	Does the water not drip after closing the angle valve?	Replace the water inlet solenoid valve, clean the angle valve filter.
Washing and drying functions do not work	Check to make sure it's tight against the seat sensing area?	Tight fit, still not working, the seating sensor is not working, replace the seating ring.
When drying, blowing cold air	Check that the warm air is set at room temperature?	Adjust the air temperature setting by referring to the instruction manual.
	Warm air heating parts are not damaged?	Replacement of drying assembly.
Water and seat temperature not heating	Check that the water and seat temperatures are set at room temperature?	Adjust the water and seat temperature settings according to the instructions.
Malfunction of the remote	Check if the remote control indicator light does not light up or is noticeably dimmed?	Replace with new batteries and install correctly.
Ceramics do not flush clean	Check for low external water pressure?	Pending restoration of water supply.
	Check for clogged angle valve filters?	Cleaning Angle Valve Filter.
	Check the inlet hose for bends?	Eliminate bent inlet pipes.
Water pressure is normal, flushing is not cleaning	Check for air leaks at the drain?	Re-installation.
	Check for blocked S-bends?	Purchase a tool to unclog it, such as a leather bolt, to unclog it.
Normal water pressure, no flush	Is there any beep on the main board when you press flush?	Yes, replace flushing components such as pulse valves.
	Is there any beep on the main board when you press flush?	No, replace related parts such as motherboard or remote control.
Cover/seat cover falling too fast	Can it be restored to normal after flipping the cover and ring into place?	Cannot be restored, replace damping assembly.
Sequential cycling of functions	Check if you have entered the engineering debug mode by mistake?	Unplugged and re-energized after one minute.

PRECAUTIONS FOR USE

Anti-freezing measures in winter (Lower than 39°F)

1. When not in use for a long time, such as on a business trip or traveling.
 - a. Close the water supply angle valve, then press the flush button on the remote control to drain the connection line and ceramic more than twice.
 - b. After draining the water for 30 seconds, please make sure you unplug the leakage protection power cord.
2. In cold winter, when the product is transported over a long distance or stored for a long period of time, freezing may occur in the remaining water inside the product.

To prevent damage caused by freezing, please take anti-freezing measures.

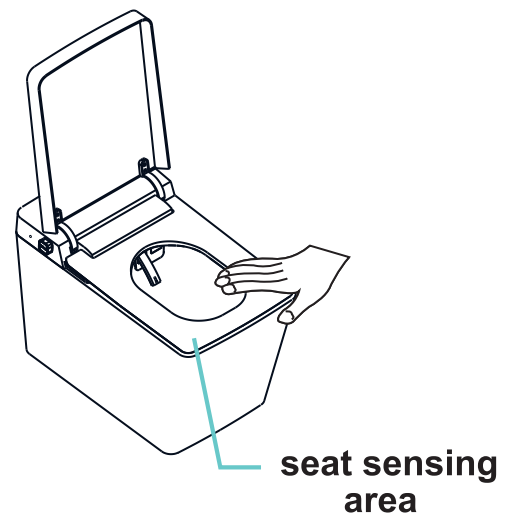


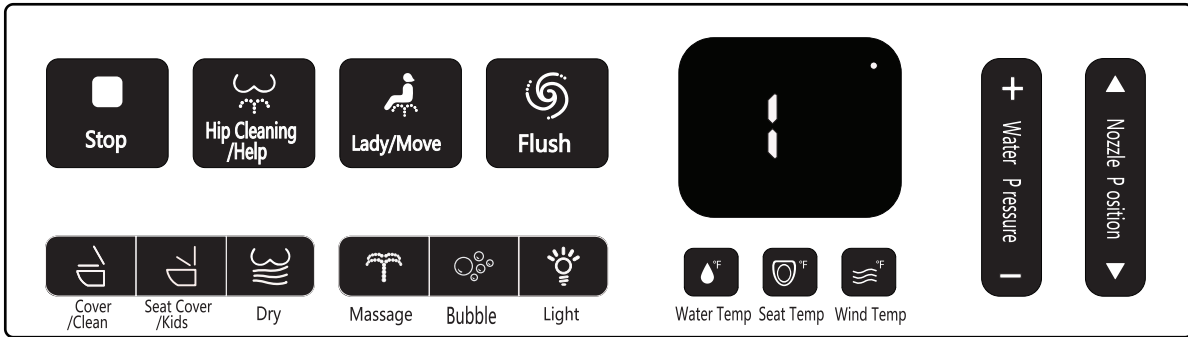
Treatment of the product after freezing:

1. Place the product in a warm room for 30min and wait for it to thaw naturally before turning on the water and electricity.
2. If freezing occurs and water does not come out of the nozzle, a cloth soaked in hot water can be put over the water supply hose of the product or the connecting part of the water supply pipe to thaw it out (please do not pour hot water on the water supply hose of the Smart Toilet or blow hot air on it).

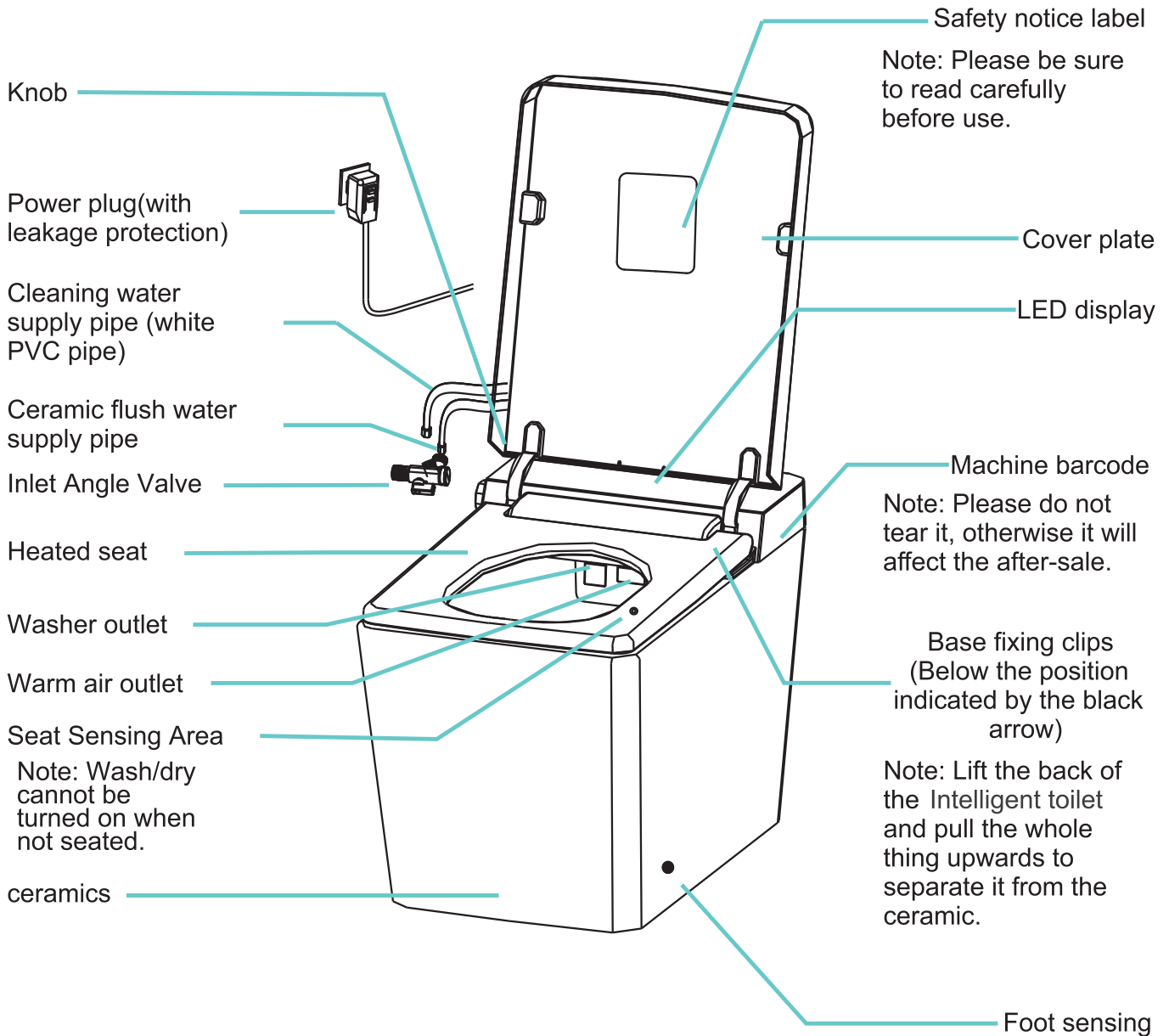
When turning on the hip wash, lady wash and drying:

Please make sure to stay close to the seat sensor area, otherwise the above functions cannot be turned on.

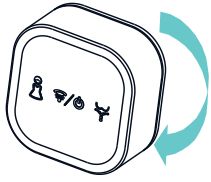




Remote Controls



SIDE CONTROL PANEL DESCRIPTION



Hip cleaning button: When seated, rotate forward briefly once to turn on the hip wash and the knob shows blue light.

After 3 minutes of powering-up, when leaving the seat, turn the ambient light on by rotating forward once in a short circle.

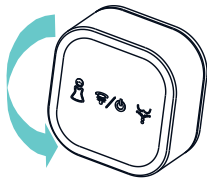
Valid only for models equipped with ambient lighting.



Stop button: Long press the stop button to turn on/off the machine.

When washing or drying is on, short press this button to stop washing or drying function. When leaving the seat, short press once, flush once.

When power off, short press once, flush once.



Lady button: When seated, turn backward briefly once to turn on the lady washing, the knob shows green light.

After 3 minutes of powering-up, when leaving the seat, turn the ambient light off by rotating backward once in a short circle.

LED DISPLAY DESCRIPTION



Water temperature indication icon: When adjusting the water temperature, the icon lights up and the temperature display shows "--°F" (room temperature), "93°F" (low), "99°F" (medium), "104°F" (high).



Wind temperature indicator icon: when adjusting the wind temperature, the icon lights up, and the temperature shows "--°F" (room temperature), "95°F" (low), "113°F" (medium), "131°F" (high).



Seat temperature indicator icon: when adjusting the seat temperature, the icon lights up and the temperature display "--°F" (room temperature), "93°F" (low), "99°F" (medium), "104°F" (high).



Temperature display icon: displays the stall temperature for water, seat and air temperature.



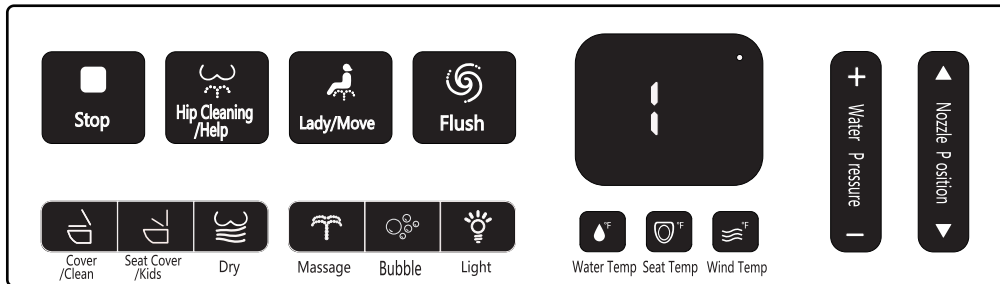
Seat sensor icon: when the seat sensor is on, the icon is lit; when the seat sensor is off, the icon is off.



Seating indicator icon: This icon lights up when you are seated.

Warm tips: standby time more than 5 minutes, ambient light, display automatically off, when there is a seat, remote control, foot feel/kick, knob and other operations, the ambient light (must be in the state of on) and the display will be re-illuminated.

REMOTE CONTROL INSTRUCTIONS



Remote Control Pairing

Code matching mode: Long press the "Lady/Move button", wait for the remote control display upper right corner of an indicator light blinking, the whole machine is powered on, about 10 seconds after the completion of the code.

Note: When coding, the intelligent toilet must be energized within the time when the indicator lights of the remote control are blinking, otherwise it will be re-operated according to the above requirements.



Stop

Stop button

Short press the "stop button" to stop the buttock washing, lady washing and drying functions.



Hip Cleaning /Help

Hip Cleaning/Help button

When seated, short press the "hip cleaning/Help button" to start hip wash, the knob shows blue light. Press once more to start reciprocal washing. The cleaning time is 90s, after the automatic end, the flushing and drying will be activated. When seated, press the "hip cleaning/Help button" for 3s to turn on laxative function. Press the "Water Pressure button" to adjust the cleaning strength of the laxative function.

Important Safety Tips: When you turn on the laxative function, the water pressure is higher than the normal buttock wash water pressure, and the water column is more concentrated, please make sure to adjust to your own suitable water pressure, especially when children use it. If you feel uncomfortable, please immediately press the "stop button" to stop the function or press the "Water Pressure - button" to reduce the water pressure of the laxative.



Lady/Move

Lady/Move button

When seated, short press the "Lady/Move button" to turn on the lady wash and the knob lights up in green. Press the button again to turn on reciprocal washing.

Cleaning time is 90s, start flushing and drying after automatic end.



Flush

Flush button

Press the "flush button" to flush the toilet once.

Remote control display



1. When code pairing, one indicator light in the upper right corner blinks at the same time, indicating that the remote control enters the code pairing mode.
2. Display water temperature, seat temperature and wind temperature :
1(room temperature),2(low),3(medium),4(high).



Water Pressure button

During the cleaning process, press the "+" button to increase the cleaning strength, and press the "-" button to decrease the cleaning strength.



Nozzle position button

To change the cleaning position, press the "Nozzle position ▲/▼ button" to move the front and rear positions of the nozzle.



Cover button

1. Short press the "Cover button" to open/close the cover.
2. When you leave the seat, long press "Cover button", the cleaner extends, can carry out nozzle cleaning, press the stop button to end the nozzle cleaning.



Manual model remote control this button is "self cleaning button", short press can open the nozzle cleaning.



Seat cover button

Press the "Seat Cover button" to open/close the seat ring.



Long press the "Seat Cover button" to enable the child wash function, the water pressure is low; the water temperature is set at 37°C; the seat temperature and air temperature are adjustable up to the middle; the washing position is adjustable.

The washing time is 90s, and the rinsing and drying are activated after the automatic end.

Manual model remote control button for the "Kids button", short press to open the child wash.



Dry button

When seated, press the "dry button" to start drying and dry the cleaning part for 3 min.



Massage button

Pressing the "massage button" in wash mode alternates between strong and weak water pressure. This function is only available in wash mode.



Light button

Short press the "Light button" to turn on/off the night light.



Water Temp

Water temp button

Press the "Water temp button" to adjust the cleaning water.



Seat Temp

Seat Temp button

Press the "Seat temp button" to adjust the seat temperature.



Wind Temp

Wind temp button

Press the "Wind Temp button" to adjust the warm air temperature.

HIGH ADJUSTMENT FUNCTIONS

1. Seat sensor on/off operation method:

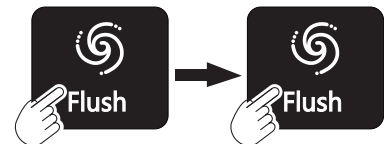
Power on within 2 minutes, long press the remote control "stop button", hear "tick" a long sound, open the seat sensor; long press "stop button", hear "tick" a short sound, turn off the seat sensor



long press 3s

2. Ceramic flushing water consumption adjustment operation:

Within 2 minutes of power on, long press the remote control "flush button", enter the water consumption adjustment mode, and then short press the remote control "flush button", water consumption adjustment of a gear, the display cycle shows F1 (minimum water consumption)/F2 (mid-range water consumption)/F3 (high-grade water consumption).

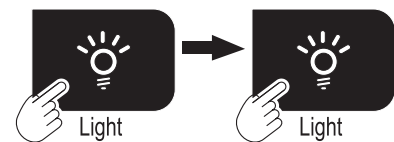


long
press 3s

Short
press
again

3. Seat Sensor induction distance adjustment:

Within 2 minutes of power on, long press the remote control "light button" for 3 seconds, you will hear a "tick", enter the seat sensing distance adjustment mode, and then short press the "light button" to adjust the distance one gear. A total of 6 gears are set, one sound, the seat sensing distance is the closest, 6 sounds, the seat sensing distance is the farthest.



long
press 3s

short
press

4. Four-season temperature-sensitive self-control operation method:

Long press the remote control "▲" 3 seconds, hear the "tick" sound, the knob shows light yellow, said to open the four seasons temperature sensing self-control function; and then long press "▲" 3 seconds, hear the "tick" 2 short sounds, said to exit the four seasons temperature sensing self-control function, or press the remote control of the water temperature button, the seat temperature button, the wind temperature button of any button, will be out of the four seasons temperature sensing self-control function.



long
press 3s

Temperature Sensing Function			
Environmental Temp	Water Temp	Seat Temp	Wind Temp
< 15°C	40°C	40°C	55°C
15°C~20°C	37°C	37°C	55°C
20°C~25°C	37°C	34°C	45°C
25°C~32°C	34°C	°C	35°C
32°C	°C	°C	°C

5. Seat cover and cover drop time gear adjustment:

Gear one: long press "▼", hear "tick" sound, when the human body leaves the induction area, the cover time is 90s, after the foot sensing fall circle, the cover time is 30s, the factory default gear.

Gear two: long press "▼", hear the "tick" two sound, the human body leaves the induction area, drop cover time is 30s, foot drop circle, drop cover time is 15s.

If turned off, be sure to adjust the setting to "gear one".



ONE YEAR LIMITED WARRANTY

Swiss Madison® products are made with quality materials and excellent craftsmanship to provide our customers with beautiful, durable, long-lasting products. Should there be any defects in materials or craftsmanship under regular use that are discovered within the first year of installation, Swiss Madison® will provide replacement parts at no charge, or at its discretion, replace any product or part of the product that is deemed defective, under normal installation, use, service or maintenance. This warranty applies only to the original purchaser. Proof of purchase will be required in the instance of a claim.

Swiss Madison® recommends all installations of Swiss Madison® products to be conducted by a licensed, professional plumber or contractor. Swiss Madison® will not be held responsible for any damage or product failure due to improper installation, misuse, or failure to utilize a licensed professional for installation. Swiss Madison® is not responsible for any installation or removal costs.

THIS ONE YEAR LIMITED WARRANTY WILL BE VOIDED IF:

- The installation recommendations were not followed by the installer
- The product has been moved from its initial place of installation
- The product has in any way been modified from its packaged state
- The product has been subjected to improper maintenance, abuse, misuse, excessive use of chemicals, accidents, or other damages, etc.

Swiss Madison® makes no implication that its products comply with any local building or plumbing codes. It is the consumer's responsibility and obligation to determine local code compliance prior to and during installation. This warranty extends only to the original purchaser and first consumer.

Swiss Madison® is not responsible for any special, incidental or consequential damages associated with the installation, replacement, return or use of the original purchaser's product. This includes, but is not limited to: freight costs, labor, travel time, lost profit, home damages and other contingent liabilities and costs (including, without limitation, costs associated with 'professionals' or 'experts', investigations, audits, analyses, attorneys and any other professional/hired services).

The Swiss Madison® warranty is a comprehensive and explicit limit of liability. All items not disclosed within the warranty are not addressable within the responsibility of Swiss Madison®. Certain states have variances regarding implied warranties; in those situations, we remain fully compliant.

QUESTIONS OR CONCERNS?

Please contact us directly at 1-434-MADISON (623-4766)



WARNING:

Contents of your order may contain sharp and possibly other harmful pieces and may cause hazard to children and adults. Swiss Madison® is not responsible in any way for personal damages.