



**JOHN DEERE**

# **OPERATOR'S MANUAL**

Utility Cart  
10PX Poly Cart

1018672-D  
08 / 11 / 2022  
English

# Introduction

## Using Your Operator's Manual

Read this entire operator's manual, especially the safety information, before operating.

This manual is an important part of your machine. Keep all manuals in a convenient location so they can be accessed easily.

Use the safety and operating information in the attachment operator's manual, along with the machine operator's manual, to operate and service the attachment safely and correctly.

If your attachment manual has a section called Preparing the Machine, it means that you will have to do something to your tractor or vehicle before you can install the attachment. The Assembly and Installation sections of this manual provide information to assemble and install the attachment to your tractor or vehicle. Use the Service section to make any needed adjustments and routine service to your attachment.

If you have any questions or concerns with assembly, installation, or operation of this attachment, see your local John Deere dealer.

Warranty information on this John Deere attachment can be found in the warranty statement included in this manual.

LP72978  
PCT-10PXJD  
CPLP72978

## Product Compatibility

Compatible with Lawn  
and Garden Tractors

## Table of Contents

Introduction . . . . .	2
Product Compatibility . . . . .	2
Safety . . . . .	2-5
Parts . . . . .	6-8
Assembly . . . . .	9-18
Installing / Removing . . . . .	19
Operating . . . . .	20-22
Maintenance . . . . .	23
Specifications / Service . . . . .	23
Warranty . . . . .	24

## Record Product Information

In the event that you need to contact an Authorized Service Center for information on servicing your product, record the following information in the spaces provided below.

**DATE OF PURCHASE:**  
\_\_\_\_\_

**DEALER NAME:**  
\_\_\_\_\_

**DEALER PHONE:**  
\_\_\_\_\_

-----  
*Original instructions. All information, illustrations and specifications in this manual are based on the latest information available at the time of publication. The right is reserved to make changes at any time without notice.*

# Safety Labels

## Caution / Warning Labels: A, B and C

**CAUTION**  
TO HELP PREVENT BODILY INJURY DUE TO LOSS OF STABILITY OR CONTROL

- Do not exceed maximum towing capacity of towing vehicle listed in the vehicle operator's manual
- Do not exceed maximum cart load capacity listed in cart operator's manual
- Reduce loaded cart weight on slopes and/or slippery surfaces
- Do not exceed 8 mph (13 kph) when towing cart

**ATTENTION**  
POUR ÉVITER LES BLESSURES CAUSÉES PAR UNE Perte DE STABILITÉ OU DE CONTRÔLE

- No pas dépasser la capacité de remorquage maximum du véhicule remorqué indiquée dans le manuel d'entretien du véhicule
- No pas dépasser la capacité de charge maximum du chariot indiquée dans le livret d'entretien du chariot
- Réduire la charge du chariot sur les pentes et/ou les surfaces glissantes
- No pas dépasser 8 mph (13 km/h) lors du remorquage du chariot

**A**

**B**

**C**

**WARNING**

**AVOID INJURY FROM EXPLOSION**  
• Do not place gas container in cart when filling  
**RIDERS CAN FALL OFF AND BE KILLED**  
• No riders in cart

**ATTENTION**  
POUR ÉVITER TOUTE BLESSURE PAR SUITE D'EXPLOSION  
• Ne pas conserver le bidon à essence dans le chariot lors du remplissage  
**LES PASSAGERS PEUVENT TOMBER ET ENCOURIR DES BLESSURES MORTELLES**  
• Ne pas transporter de personnes dans le chariot

**!**

**!**

D10U21460

**Picture Notes:**

- Use label letters (noted above) to reference the complete text of safety label messages on pages 3-4 of this manual.
- No-text labels are required for certain regions of the world. (*Your cart may not be equipped with all three labels.*)

## Pictorial Safety Labels



At several important places on this machine safety labels are affixed intended to signify potential danger. The hazard is identified by a pictorial in a warning triangle. An adjacent pictorial provides information how to avoid personal injury. These safety labels, their placement on the machine and a brief explanatory text are shown in this Safety section.

## Warning Label A

**WARNING**

**AVOID INJURY FROM EXPLOSION**  
• Do not place gas container in cart when filling  
**RIDERS CAN FALL OFF AND BE KILLED**  
• No riders in cart

**ATTENTION**  
POUR ÉVITER TOUTE BLESSURE PAR SUITE D'EXPLOSION  
• Ne pas conserver le bidon à essence dans le chariot lors du remplissage  
**LES PASSAGERS PEUVENT TOMBER ET ENCOURIR DES BLESSURES MORTELLES**  
• Ne pas transporter de personnes dans le chariot

B7084-B

### Avoid Injury From Explosion

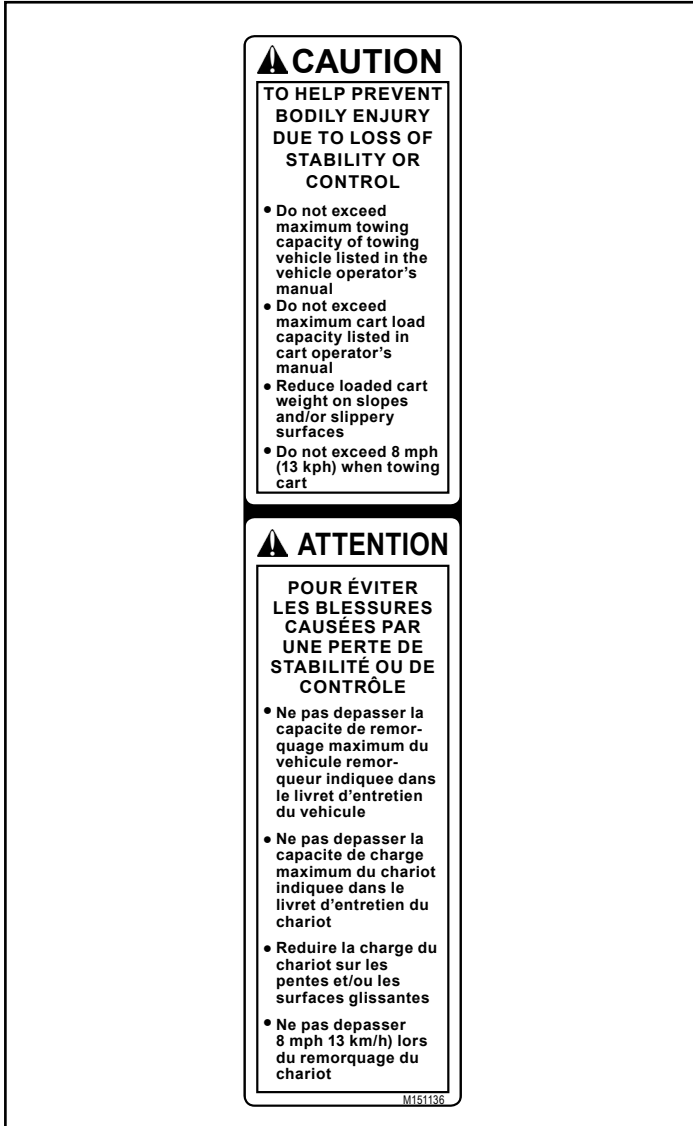
- Do not place gas container in cart when filling.

### Riders can fall off and be killed

- No riders in cart.

# Safety Labels

## Caution Label B

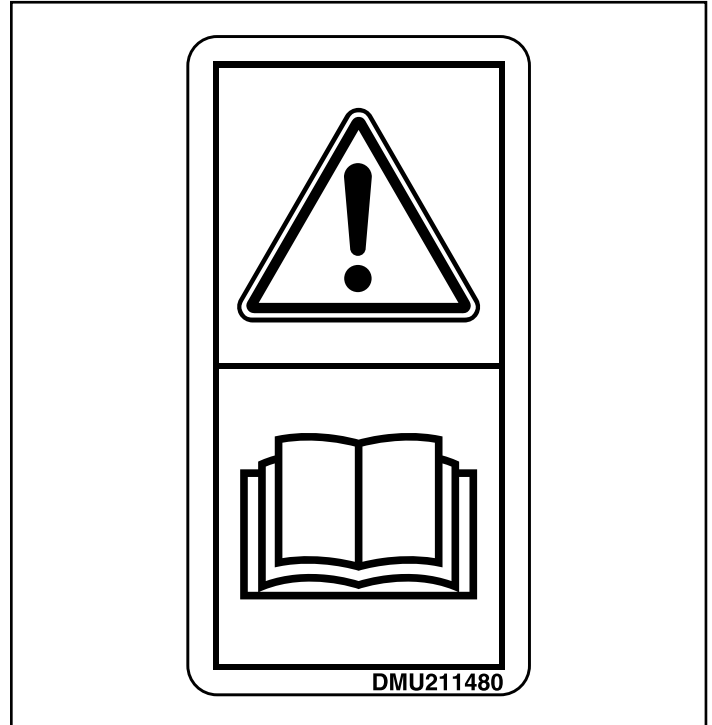


MX17871A

### TO HELP PREVENT BODILY ENJURY DUE TO LOSS OF STABILITY OR CONTROL

- Do not exceed maximum towing capacity of towing vehicle listed in the vehicle operator's manual
- Do not exceed maximum cart load capacity listed in cart operator's manual
- Reduce loaded cart weight on slopes and/or slippery surfaces
- Do not exceed 8 mph (13 kph) when towing cart

## Warning Label C



DMU211480

This operator's manual contains important information necessary for safe machine operation. Observe all safety rules to avoid accidents.



# Safety

## Safety

Read the general safety operating precautions in your machine operator's manual for additional safety information.

### Operate Safely

- This attachment is intended for use in lawn care and home applications. Do not tow behind a vehicle on a highway or in any high speed application. Do not tow at speeds higher than maximum recommended towing speed.
- Towing speed should always be slow enough to maintain control. Travel slowly over rough ground.
- Do not let children or an untrained person operate machine.
- Do not let anyone, especially children, ride on machine or attachment. Riders are subject to injury such as being struck by foreign objects and being thrown off. Riders may also obstruct the operator's view, resulting in the machine being operated in an unsafe manner.
- Check machine brake action before you operate. Adjust or service brakes as necessary.
- Keep all nuts and bolts tight to be sure the equipment is in safe working condition.
- Keep all parts in good condition and properly installed. Fix damage immediately. Replace worn or broken parts. Replace all worn or damaged safety and instruction decals.
- Do not modify machine or safety devices. Unauthorized modifications to the machine or attachment may impair its function and safety.
- Securely anchor all loads to prevent loads from falling.
- Distribute load evenly for safe travel and unloading of cart.
- Do not obstruct the operator's view during use.

### Towing Loads Safely

- Stopping distance increases with speed and weight of towed load. Travel slowly and allow extra time and distance to stop.
- Total towed weight must not exceed limits specified in towing vehicle operator's manual.
- Excessive towed load can cause loss of traction and loss of control on slopes. Reduce towed weight when operating on slopes.
- Never allow children or others in or on towed equipment.
- Use only approved hitches. Tow only with a machine that has a hitch designed for towing. Do not attach towed equipment except at the approved hitch point.
- Follow the manufacturer's recommendations for weight limits for towed equipment and towing on slopes. Use counterweights or wheel weights as described in the machine operator's manual.

- Do not turn sharply. Use additional caution when turning or operating under adverse surface conditions. Use care when reversing.
- Do not shift to neutral and coast downhill.

### Protect Bystanders

- Keep bystanders away while operating a towed attachment.
- Before you back machine and attachment, look carefully behind attachment for bystanders. Keep Riders Off Towed Attachment
- Keep riders off of a towed attachment.
- Riders on a towed attachment are subject to injury, such as being struck by objects and being thrown off the attachment during sudden starts, stops and turns.
- Riders obstruct the operator's view, resulting in the attachment being used in an unsafe manner.
- Keep riders off of hitch bracket.

### Avoid Injury From Drawbar

Before you disconnect cart from machine hitch plate:

- Unload cart.
- Stop cart on level ground.
- Stop engine.
- Lock park brake.
- Block cart wheels.
- Make sure hands, feet or other body parts are not under drawbar.

### Wear Appropriate Clothing



- Always wear eye protection when operating the machine.
- Wear close fitting clothing and safety equipment appropriate for the job.
- While operating this machine, always wear substantial footwear and long trousers. Do not operate the equipment when barefoot or wearing open sandals.
- Wear a suitable protective device such as earplugs. Loud noise can cause impairment or loss of hearing.

# Parts

## Parts

### Required Tools

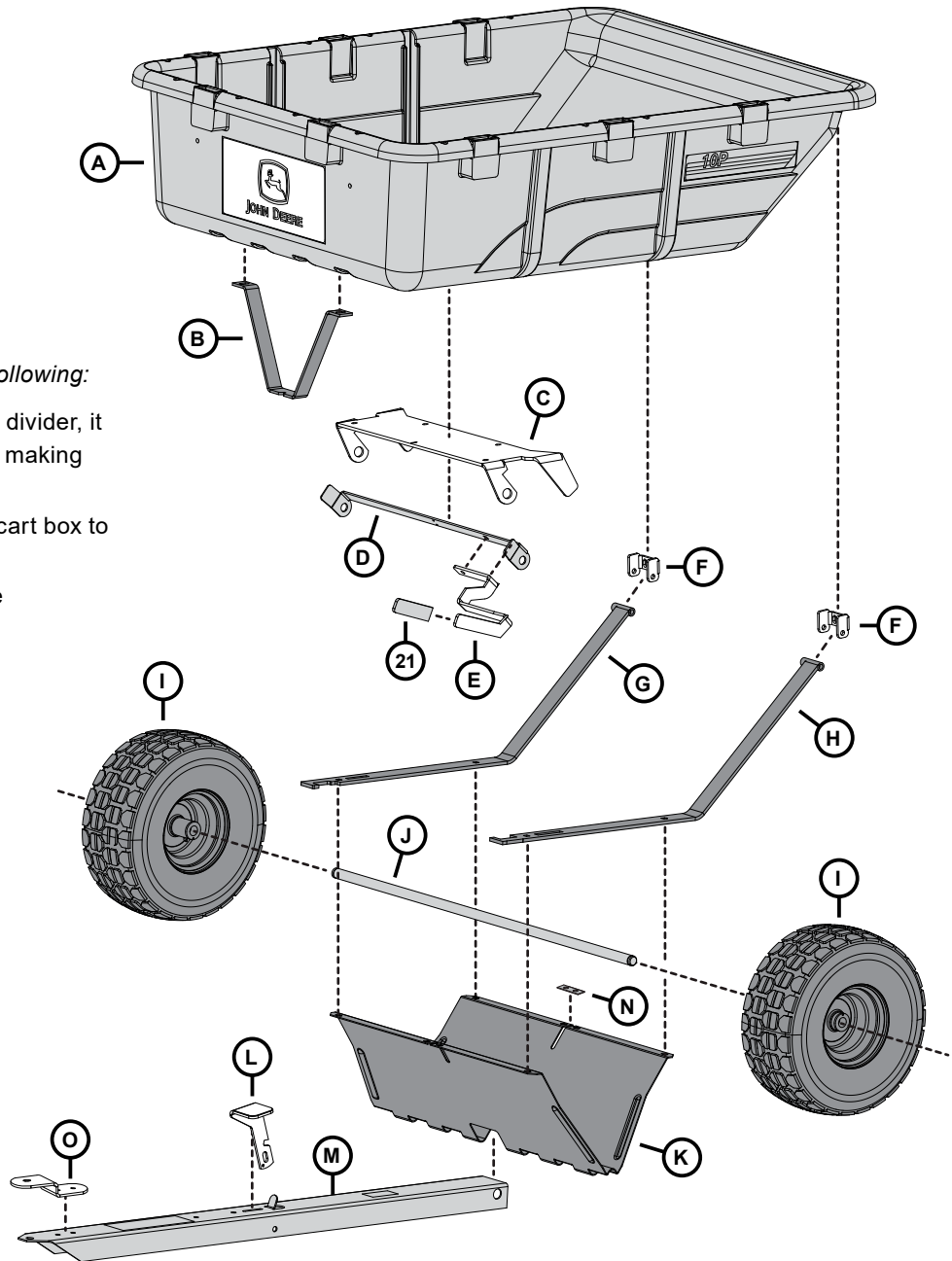
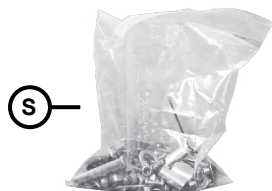
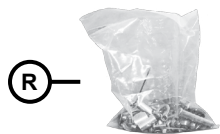
Tools required for assembly:

- 1/2 in. Wrench (2)
- 9/16 in. Wrench (2)
- Pliers
- Flat Blade Screwdriver

### Assemble Cart

While assembling cart, do the following:

- Do not discard cardboard bed divider, it can be used as a template for making dividers for the cart.
- Place pieces of carton under cart box to help avoid scratching finish.
- Put all bolt heads to the inside of the cart box.



# Parts

Ref.	Part Description	Qty.	Ref.	Part Description	Qty.
A.	Cart	1	H.	Pivot Arm, Left	1
C.	Rocker Base Plate	1	I.	Wheel	2
D.	Rocker Motion Bracket	1	J.	Axle	1
E.	Rocker Handle	1	K.	Axle Support	1
F.	Pivot Bracket	2	M.	Drawbar	1
G.	Pivot Arm, Right	1	N.	Support Bracket	1

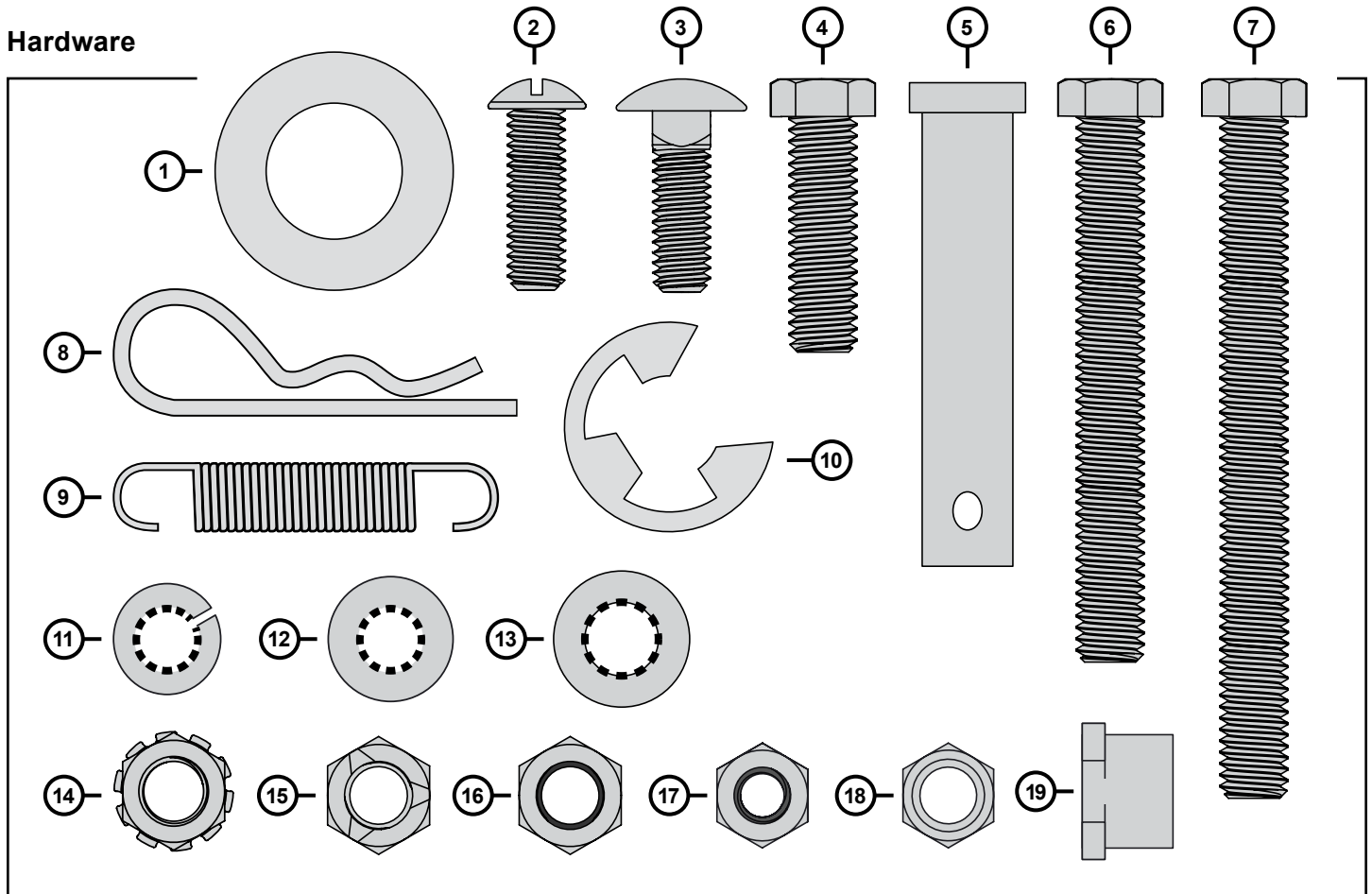
R.	Sm. Hardware Bag (Contents Below)	1
3.	Bolt; 5/16 x 1 in.	8
4.	Bolt; Hex Head, 3/8 x 1 1/4 in.	2
6.	Bolt; Hex Head, 3/8 x 3 in.	2
11.	Washer; Lock, 5/16 in.	6
13.	Washer; Flat, 3/8 in.	2
16.	Nut; Nylon Lock, 3/8 in.	4
17.	Nut; Nylon Lock, 5/16 in.	2
18.	Nut; Hex Head, 5/16 in.	6
19.	Bushing; Hex Head, 3/8 x 1/2 in.	2
21.	Grip; Flat	1

S.	Lg. Hardware Bag (Contents Below)	1
B.	Lock Bracket	1
L.	Foot Pedal	1
O.	Clevis	1
P.	Manual	1
20.	Spring, Latch	1
Q.	Hardware Pack (Contents Below)	1
1.	Bushing, 3/4 in.	4
2.	Screw; Slotted Head, 5/16 x 1 in.	12
5.	Clevis Pin, 1/2 x 2-1/2 in.	1
7.	Bolt; Hex Head, 3/8 x 3 3/4 in.	1
8.	Hairpin Cotter	1
9.	Spring	1
10.	Retaining Ring, 3/4 in.	2
11.	Washer; Lock, 5/16 in.	12
12.	Washer; Flat, 5/16 in.	10
14.	Nut; Keps w/ Star Washer, 3/8 in.	2
15.	Nut; Hex Head Locking, 3/8 in.	1
18.	Nut; Hex Head, 5/16 in.	12

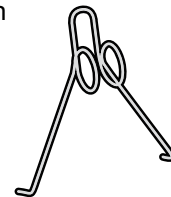
# Parts

Illustrations on this page are to-scale for easier identification of hardware during assembly.  
Simply lay the hardware directly on top of the illustrations below to verify you're using the correct parts.

## Hardware



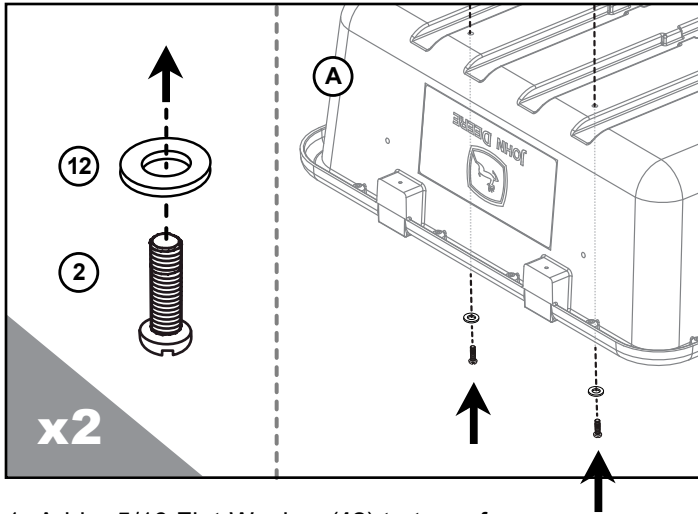
1.	Bushing, 3/4 in.				
2.	Screw; Slotted Head, 5/16 x 1 in.				
3.	Bolt; 5/16 x 1 in.				
4.	Bolt; Hex Head, 3/8 x 1 1/4 in.				
5.	Clevis Pin, 1/2 x 2-1/2 in.				
6.	Bolt; Hex Head, 3/8 x 3 in.				
7.	Bolt; Hex Head, 3/8 x 3 3/4 in.				
8.	Hairpin Cotter				
9.	Spring				
10.	Retaining Ring, 3/4 in.				
11.	Washer; Lock, 5/16 in.				
12.	Washer; Flat, 5/16 in.				
13.	Washer; Flat, 3/8 in.				
14.	Nut; w/ Star Washer, 3/8 in.				2
15.	Nut; Hex Head Locking, 3/8 in.				1
16.	Nut; Nylon Lock, 3/8 in.				4
17.	Nut; Nylon Lock, 5/16 in.				2
18.	Nut; Hex Head, 5/16 in.				16
19.	Bushing; Hex Head, 3/8 x 1/2 in.				2
<i>Not illustrated to-scale:</i>					
20.	Spring, Latch				1



# Assembly

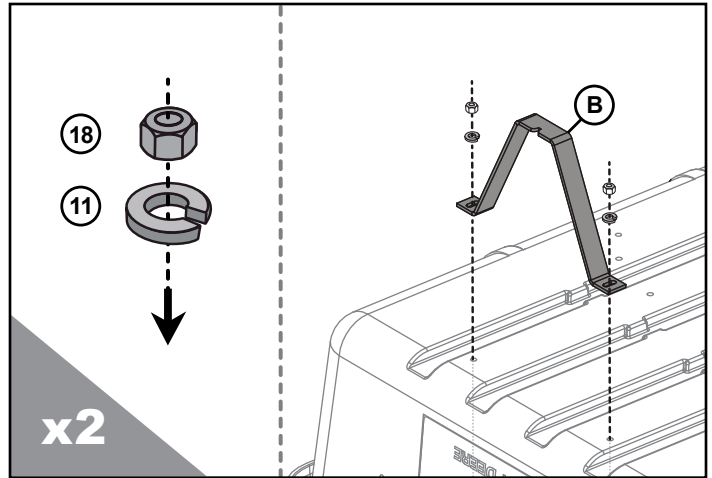
Use hardware from Panel 2

## Step 1. Install Lock Bracket



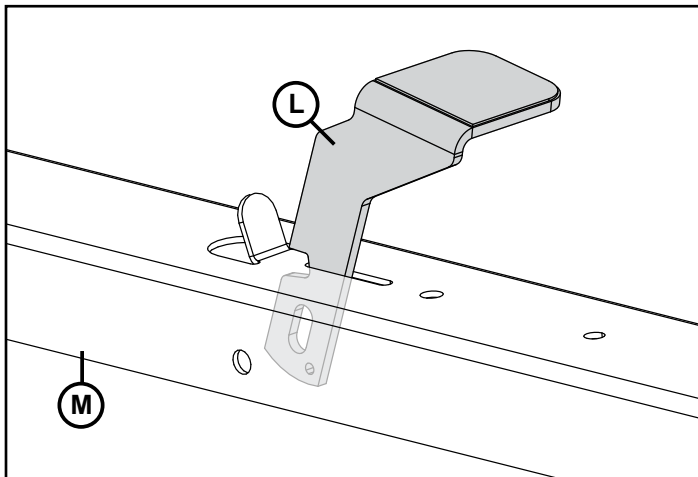
1. Add a 5/16 Flat Washer (12) to two of the Slotted Head 5/16 Screws (2).
2. These screws will run through the bed of the cart (A) from inside to attach the lock bracket (B) on Step 2.

## Step 2. Install Lock Bracket



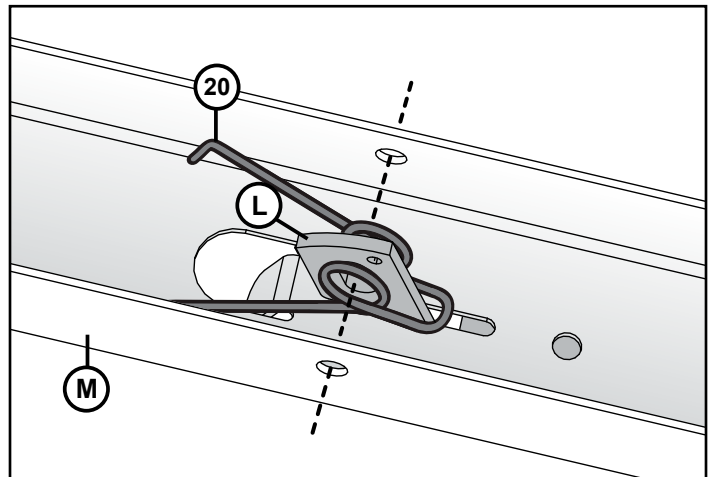
1. Place the lock bracket (B) on cart as illustrated, aligned with the screws from Step 1. **NOTE: Make sure notch on lock bracket is facing to the front of the cart.**
2. Add two 5/16 in. lock washers (11) as well as two 5/16 in. nuts (18). **Tighten nuts.**

## Step 3. Aligning the Foot Pedal



1. Align the cart foot pedal (L) through slot in drawbar (M) with the notch in the foot pedal oriented towards the raised tongue on the drawbar. *See illustration.*
2. While holding the foot pedal (L) in place, flip the drawbar (M) over.

## Step 4-A. Installing the Foot Pedal



1. Squeeze in the latch spring (20) arms and slide in place, as illustrated. **ALIGNMENT NOTES:**
  - The widest portion of the spring will straddle the larger of the two drawbar (M) openings.
  - The loop of the spring is slightly raised away from the drawbar and aligns with base of the foot pedal (L).
  - Narrow end of the spring rests against the drawbar (M).

# Assembly

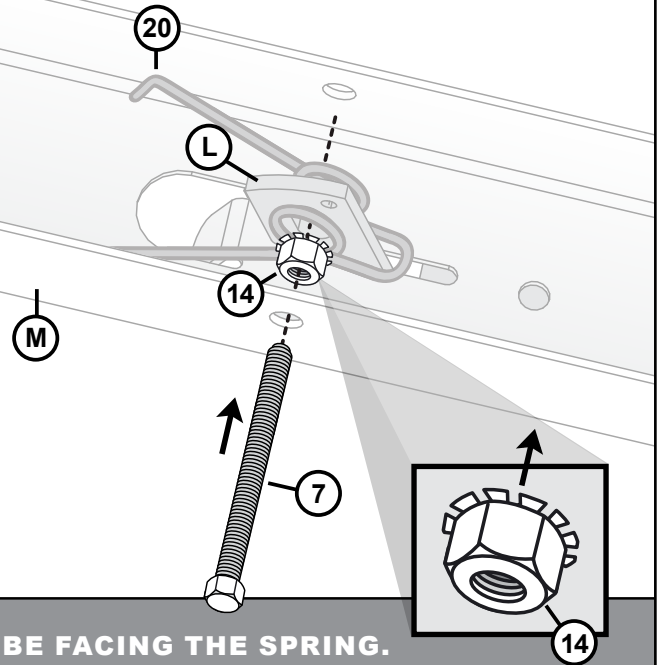
Use hardware from Panel 3

## Step 4-B. Installing the Foot Pedal

Begin to slide the 3/8 x 3-3/4 in. bolt (7) through the drawbar (M).

Between the drawbar and the latch spring (20), add one 3/8 in. nut with attached star washer (14) to the bolt (7) as illustrated.

*NOTE: Foot pedal (L) can be adjusted slightly while installing bolt (7). This will help to align the bolt with the hole on the other side of the drawbar.*



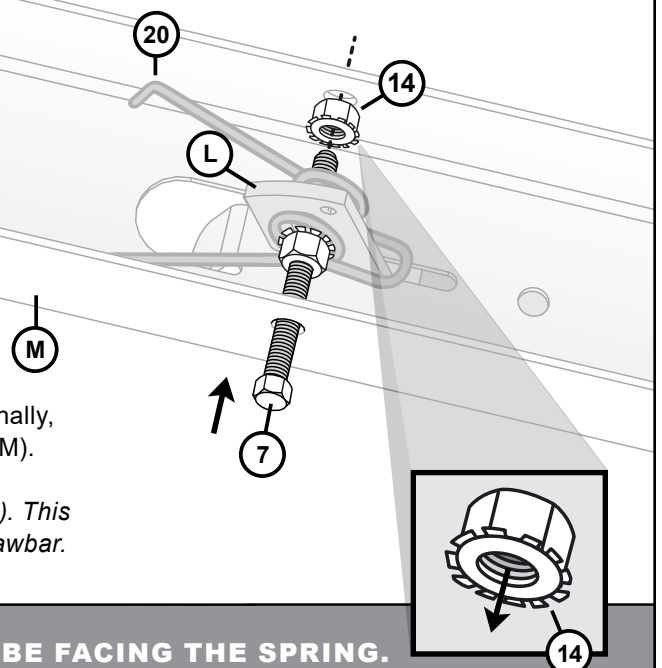
**STARRED EDGE OF THE WASHER NEEDS TO BE FACING THE SPRING.**

## Step 4-C. Installing the Foot Pedal

Continue to run the bolt (7) through the latch spring (20), and foot pedal (L).

Between the latch spring (20) and drawbar, add one 3/8 in. nut with attached star washer (14) to the bolt (7) as illustrated. Finally, run the end of the bolt (7) through the other side of the drawbar (M).

*NOTE: Foot pedal can be adjusted slightly while installing bolt (7). This will help to align the bolt with the hole on the other side of the drawbar.*

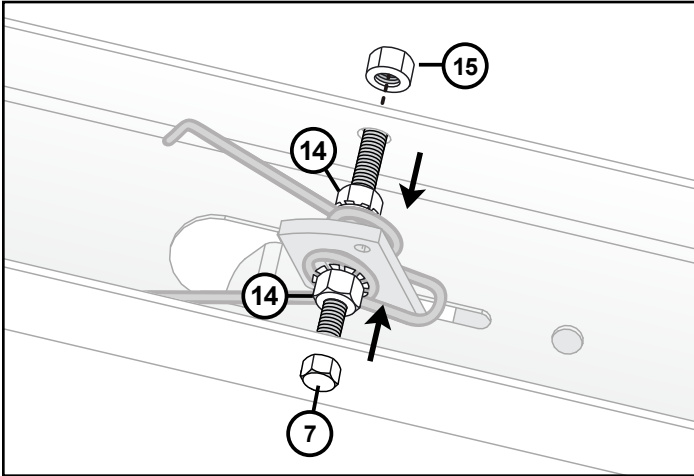


**STARRED EDGE OF THE WASHER NEEDS TO BE FACING THE SPRING.**

# Assembly

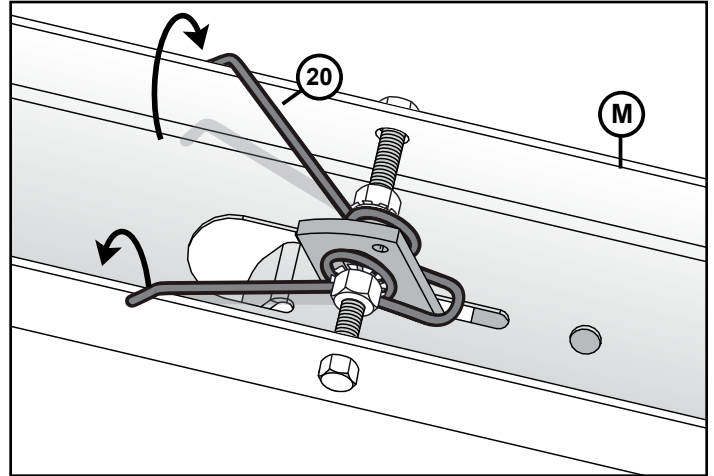
Use hardware from Panels 3 and 6

## Step 4-D. Installing the Foot Pedal



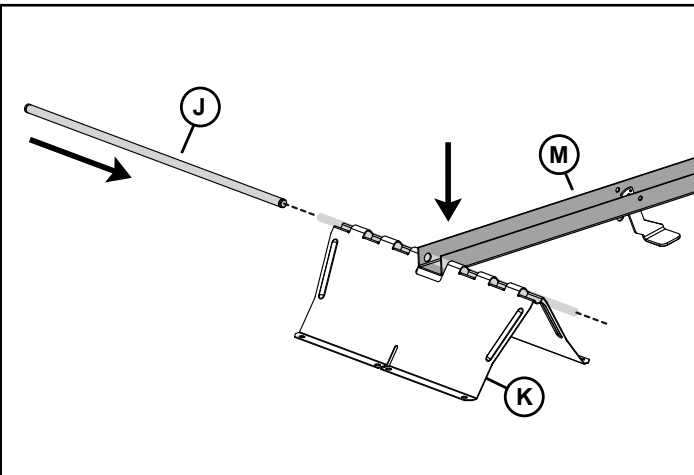
1. On the outside of the drawbar, add bolt (7) with a 3/8 in. hex head locking nut (15) so that the foot pedal moves forward and backward freely.
2. Tighten nuts (14) toward the spring, but allow room for movement.

## Step 4-E. Installing the Foot Pedal



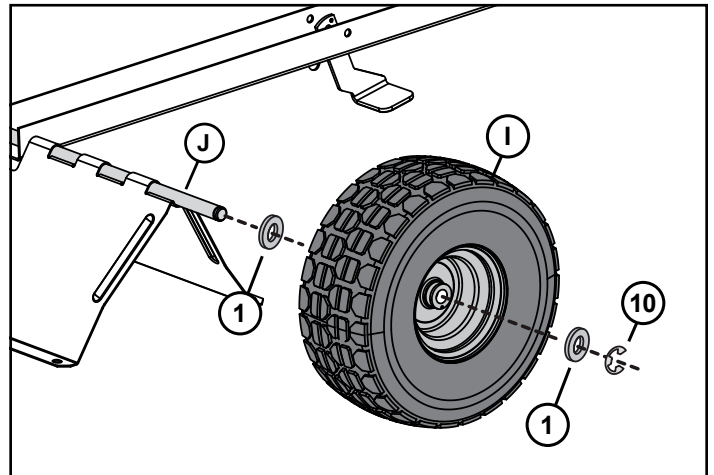
1. Pull the arms of the latch spring (20) up and over the edges of the drawbar (M), as shown.

## Step 5. Installing the A-Frame



1. Align and start running the axle (J) through the first three slots of the Axle Support (K).
2. Center the drawbar (M) as illustrated here.
3. Continue to run the axle (J) through the rest of the Axle Support (K).

## Step 6. Adding Wheels



1. Slide a 3/4" Busing (1) on each end of the axle.
2. Add a wheel (I) followed by another 3/4" Busing (1) on each end of the axle (J).
3. Secure the wheels in place by sliding a Retaining Ring (10) into the slot on each end of the axle (J).

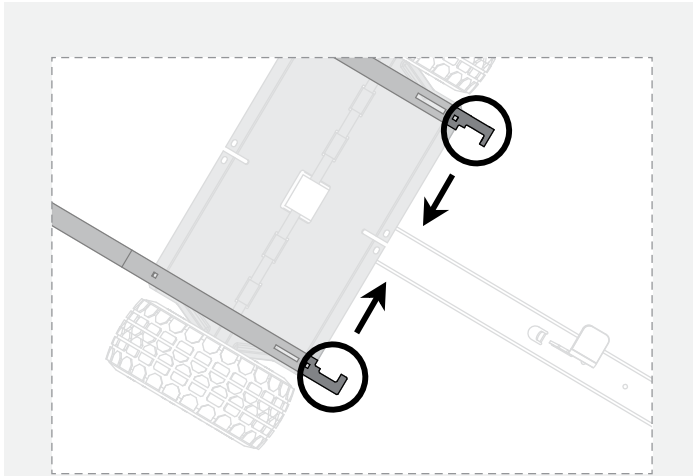
*NOTE: Flip over after assembling.*



# Assembly

Use hardware from the Small Hardware Bag

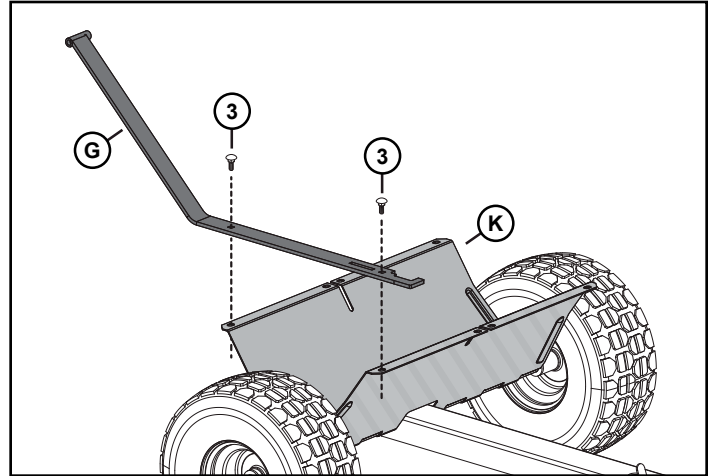
## Step 7-A. Installing the Pivot Arms



### NOTE FOR STEPS 7-B THROUGH 7-F:

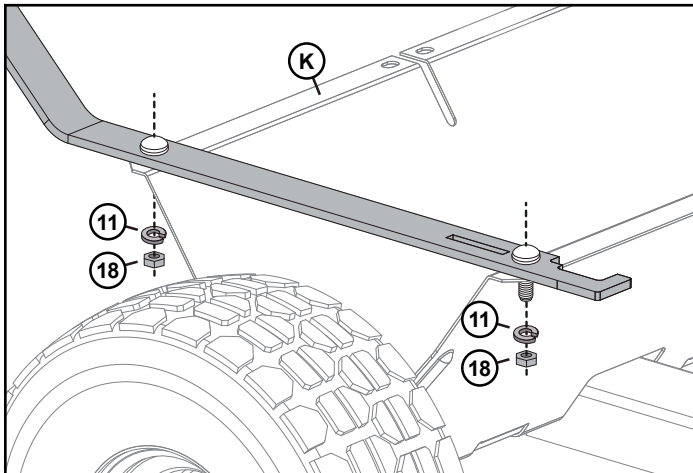
Be sure to align the Pivot Arms correctly. *The hooks at the end of the Pivot Arms will need to face toward center of the cart.*

## Step 7-B. Installing the Pivot Arms



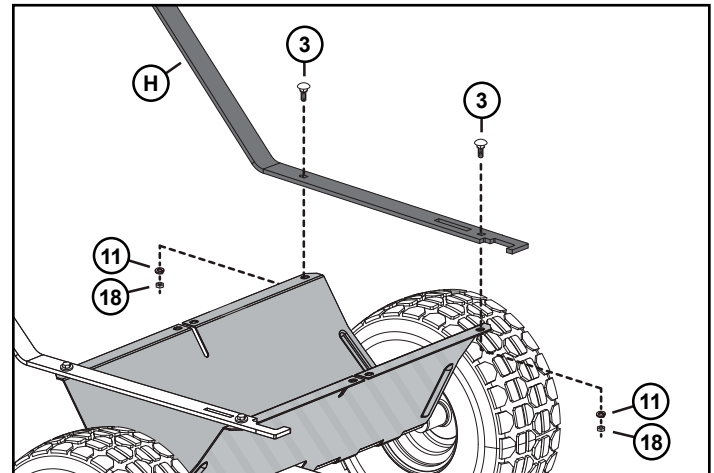
1. Align holes of the Right Pivot Arm (**G**) with the Axle support (**K**) as illustrated here. *NOTE: Hook of the Pivot Arm (**G**) will face toward center of the cart.*
2. Add two 5/16" x 1" carriage bolts (**3**) as illustrated.

## Step 7-C. Installing the Pivot Arms



1. Add a 5/16" lock washer (**11**) to each bolt beneath the axle support (**K**) and add a 5/16 in. hex nut (**18**).
2. Do not tighten fully yet.

## Step 7-D. Installing the Pivot Arms



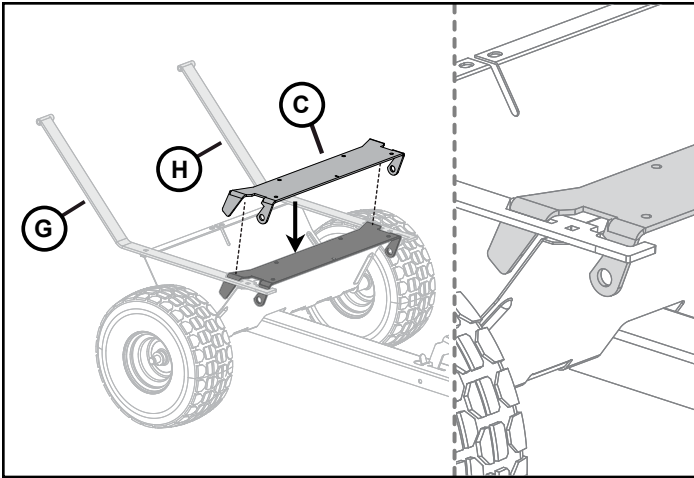
1. Align holes of the Left Pivot Arm (**H**) with the axle support as illustrated here.
2. Add two 5/16" x 1" carriage bolts (**3**) as illustrated
3. From beneath the axle support, add two 5/16" lock washers (**11**) and 5/16 in. Hex nuts (**18**). Do not tighten fully yet.



# Assembly

Use hardware from the Small Hardware Bag

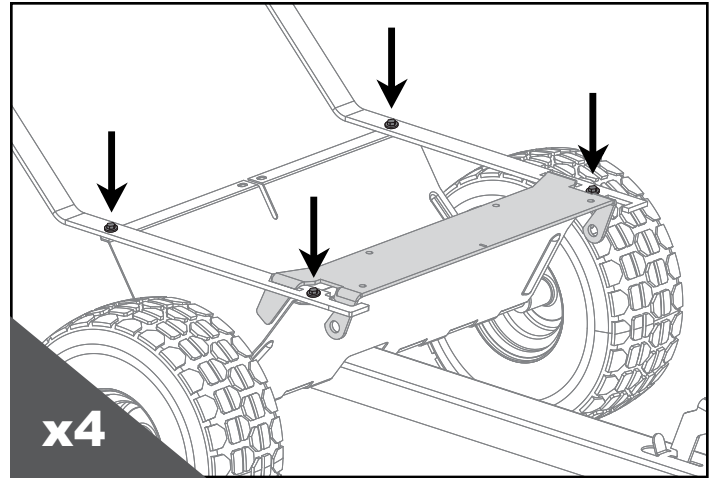
## Step 7-E. Installing the Pivot Arms



1. Temporarily slide the rocker base (C) into the slots of the pivot arms (G) and (H).

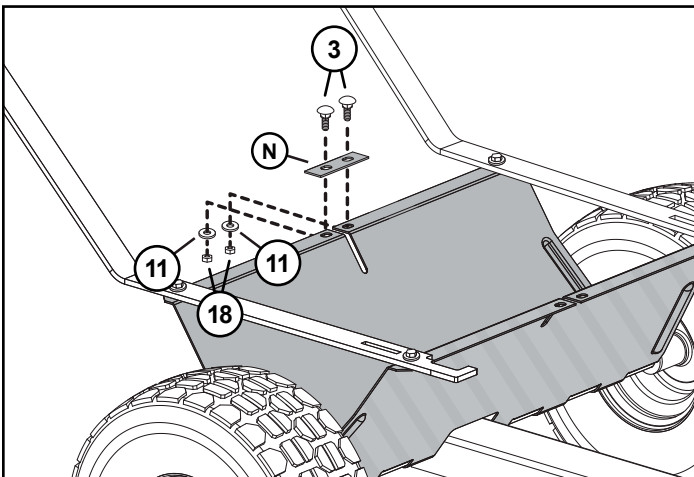
See Illustration.

## Step 7-F. Installing the Pivot Arms



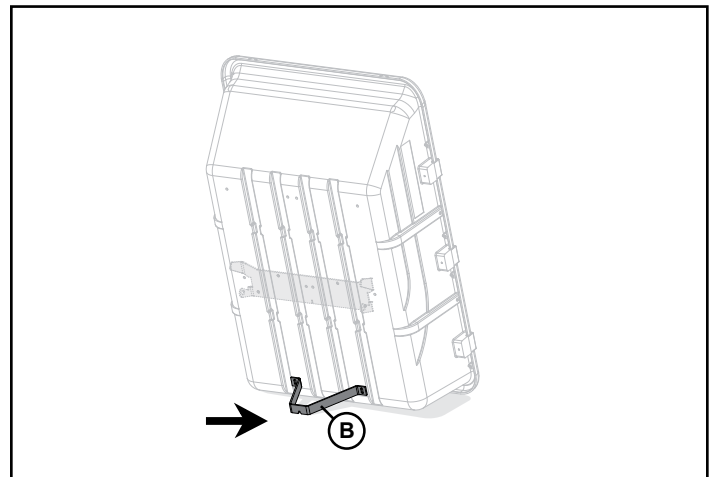
1. Tighten the four 5/16" nuts (3) from Steps 7-B and 7-D.
2. Remove the rocker base (C) from the assembly (this will be used on step 9-B, page 14).

## Step 8. Install Support Bracket



1. Align the A-frame support bracket (N) from above the axle and run two 1" Carriage bolts (3) through.
2. Add a lock washer (11) to both bolts (3) and secure under the A-frame with two 5/16 in. Hex Nuts (18).

## Step 9-A. Installing the Rocker



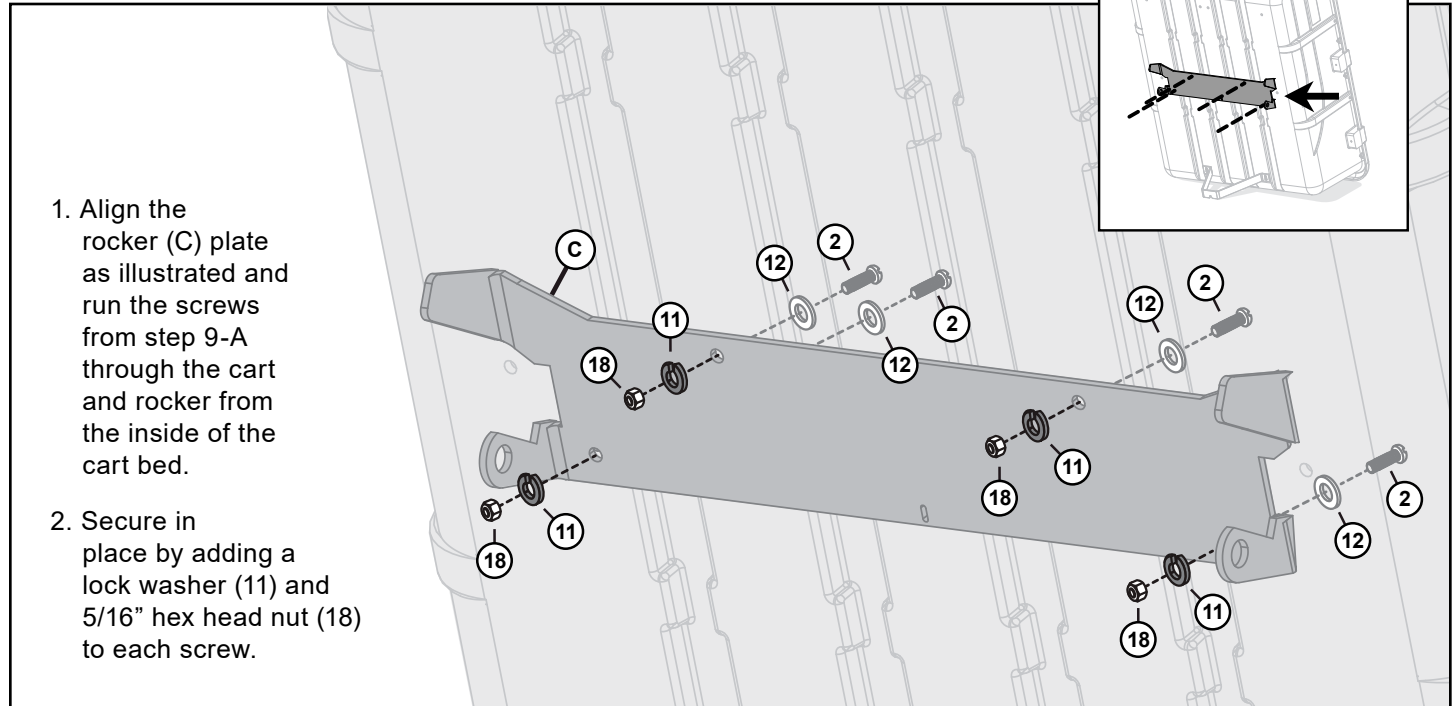
1. Stand the cart bed upright and lean it against the lock bracket (B) as illustrated.

# Assembly

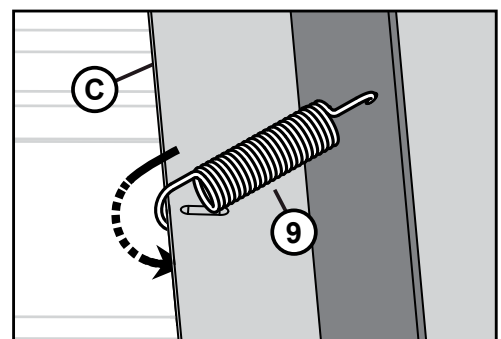
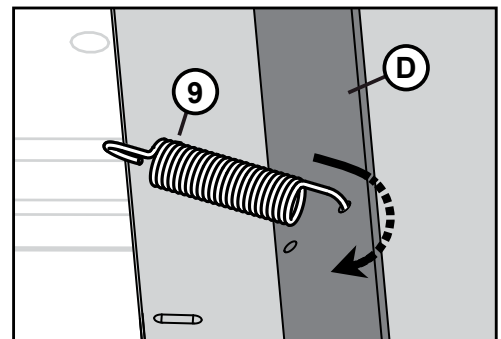
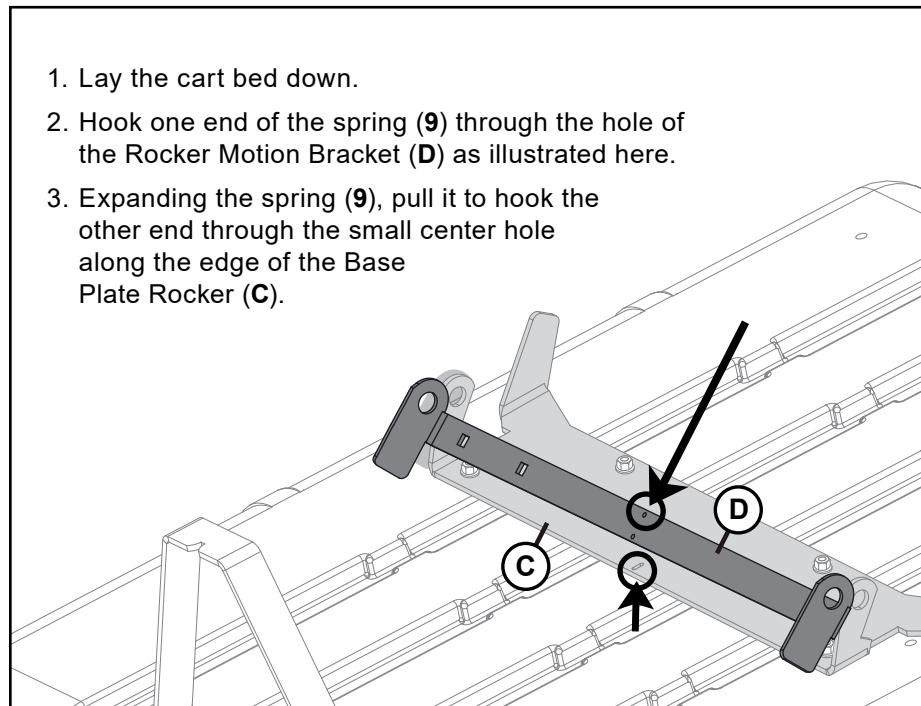
Step 9-B: Use hardware from Panel 1

Step 10-A: Use spring from Panel 4

## Step 9-B. Installing the Rocker



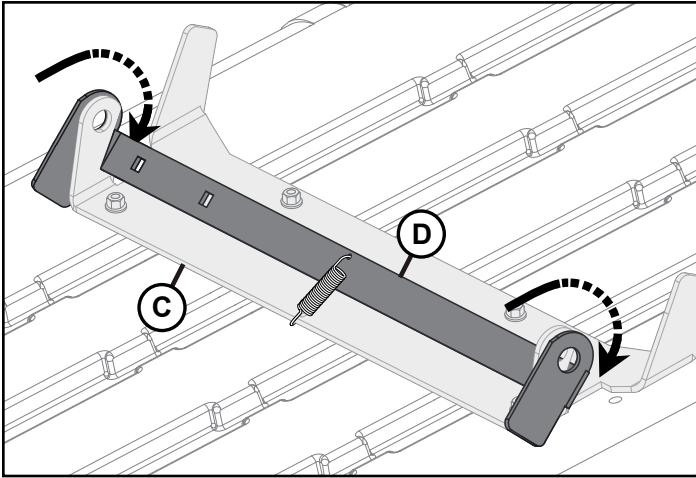
## Step 10-A. Installing the Rocker



# Assembly

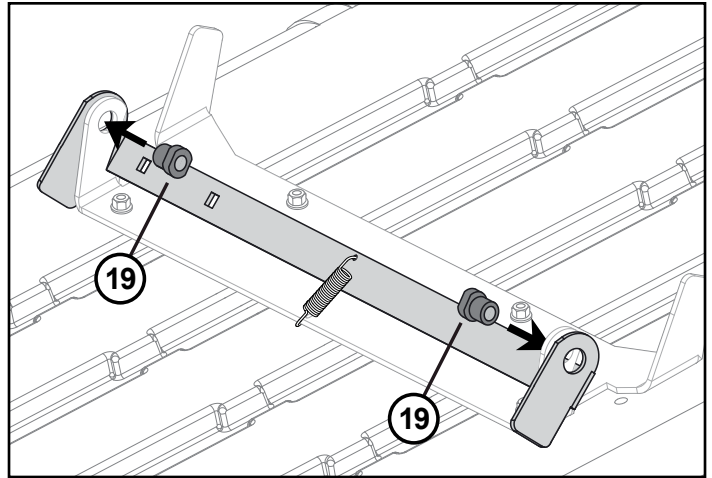
Use hardware from the small hardware bag

## Step 10-B. Installing the Rocker



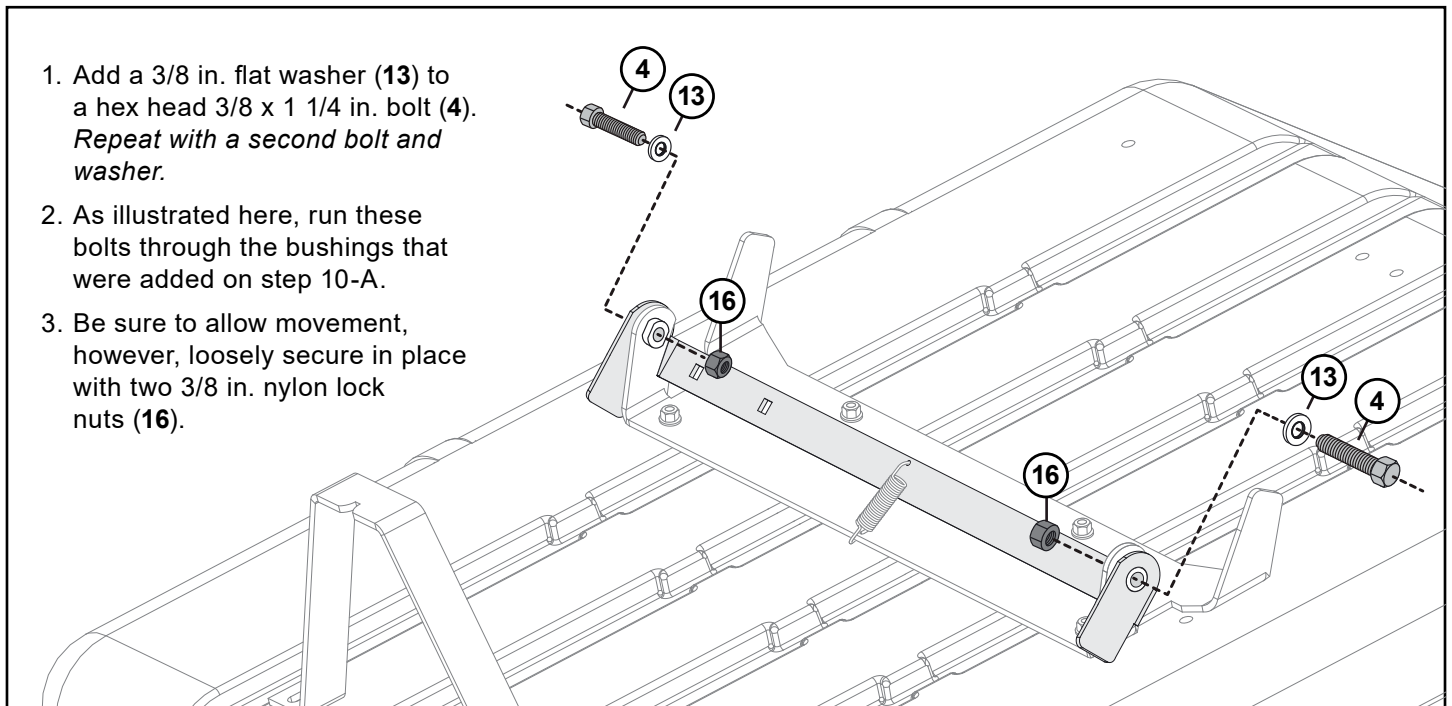
1. Lift the motion bracket (**D**) up and over the first set of extended arms of the base plate (**C**).
2. Align the two holes of these two parts as illustrated.

## Step 10-C. Installing the Rocker



1. Slide the two 3/8" bushings (**19**) in place as illustrated.

## Step 10-D. Installing the Rocker



1. Add a 3/8 in. flat washer (**13**) to a hex head 3/8 x 1 1/4 in. bolt (**4**). Repeat with a second bolt and washer.
2. As illustrated here, run these bolts through the bushings that were added on step 10-A.
3. Be sure to allow movement, however, loosely secure in place with two 3/8 in. nylon lock nuts (**16**).

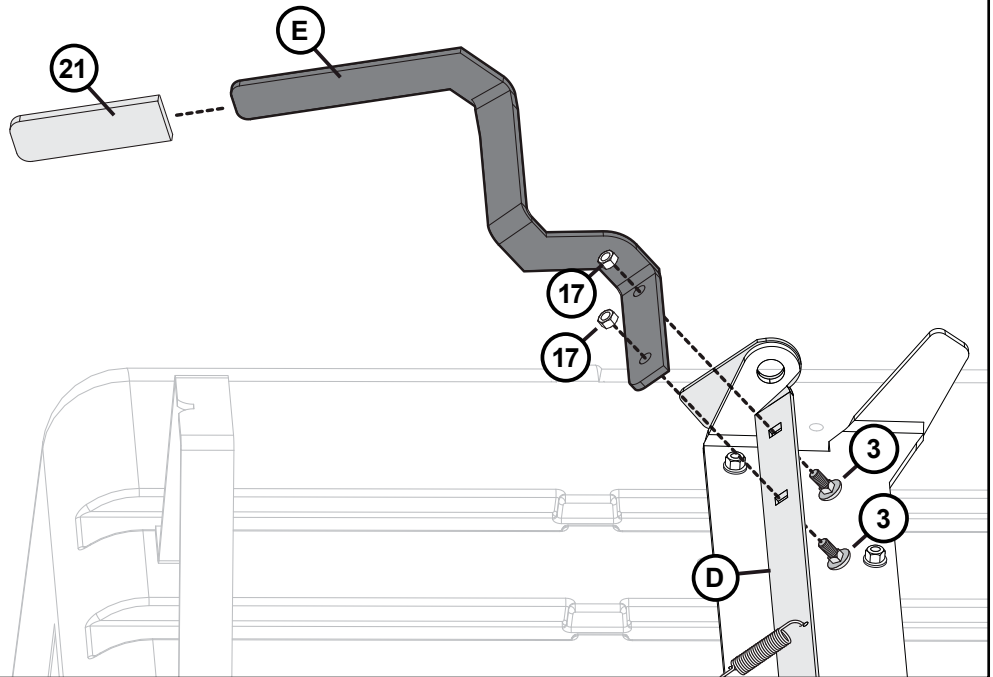
# Assembly

Step 11: Use hardware from the small hardware bag

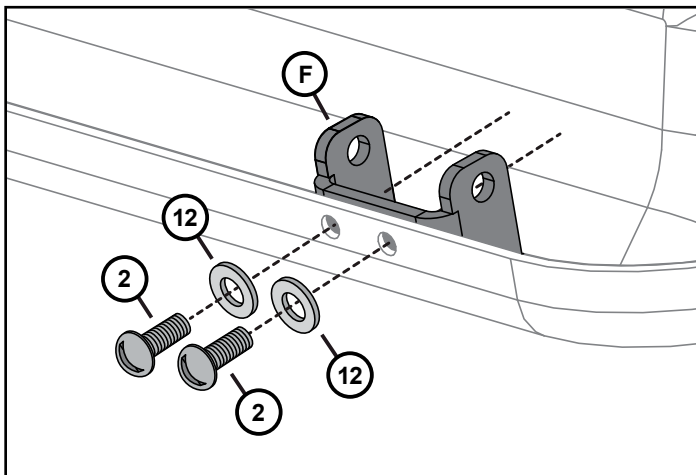
Use hardware from Panel 1 for step 12

## Step 11. Adding Rocker Handle

1. Align the Rocker Handle (E) with the square holes of the Rocker Motion Bracket (D) as illustrated here.
2. Add two 5/16" x 1" Carriage Bolts (3) from beneath the Rocker Motion Bracket (D), through the handle (E) and secure in place with a 5/16 in. Nylon Lock Nut (17).
3. Slide the Grip (21) over the end of the handle (E).

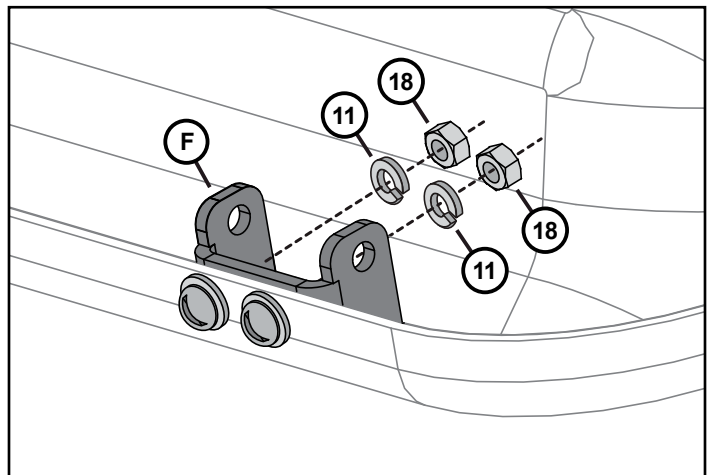


## Step 12-A. Installing the Pivot Bracket



1. Align the Pivot Bracket (F) as illustrated here.
2. Add a 5/16" Flat Washer (12) to four 1" Round Head Screws (2) and start to run them through the cart rim and pivot bracket (F).

## Step 12-B. Installing the Pivot Bracket



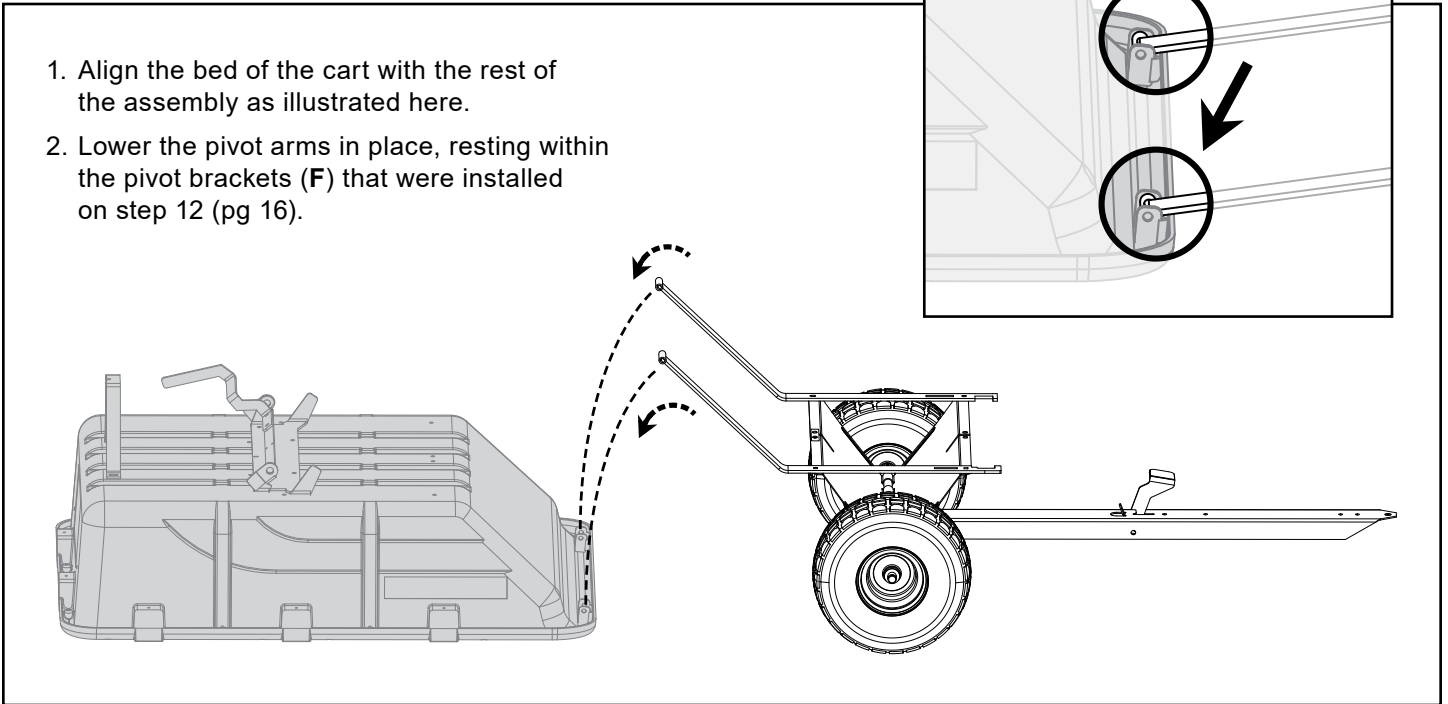
1. Secure the Pivot bracket (F) in place by adding a 5/16" Lock Washer (11) and 5/16" Hex Nut (18) to the ends of the screws that were added on Step 12-A.
2. Repeat Steps 12-A and 12-B to attach the additional Pivot Bracket (F) on the other side of the cart.

# Assembly

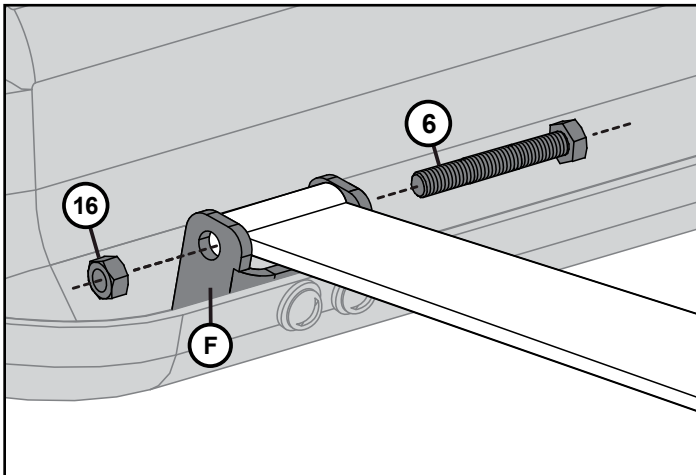
Step 13-B: Use hardware from the small hardware bag

## Step 13-A. Attaching the Pivot Arms

1. Align the bed of the cart with the rest of the assembly as illustrated here.
2. Lower the pivot arms in place, resting within the pivot brackets (F) that were installed on step 12 (pg 16).



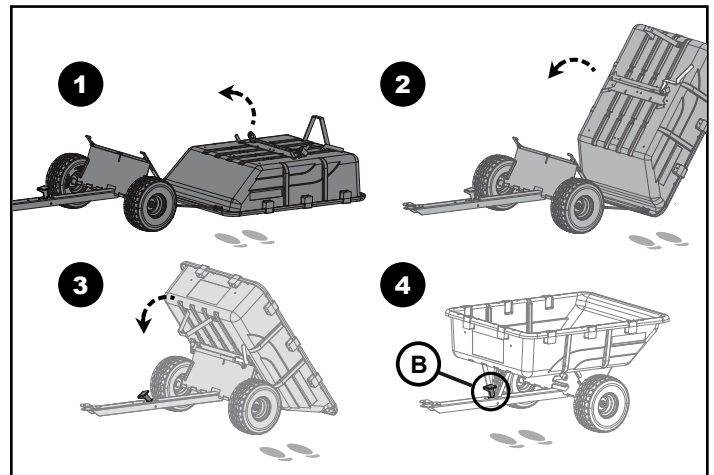
## Step 13-B. Attaching the Pivot Arms



1. Attach both Pivot Arms to the Pivot Brackets (F) with a 3" Hex Head Bolt (6) and 3/8" Nylon Lock Nut (16).

NOTE: Do not overtighten. Allow movement.

## Step 14. Returning Bed to the Axle Support

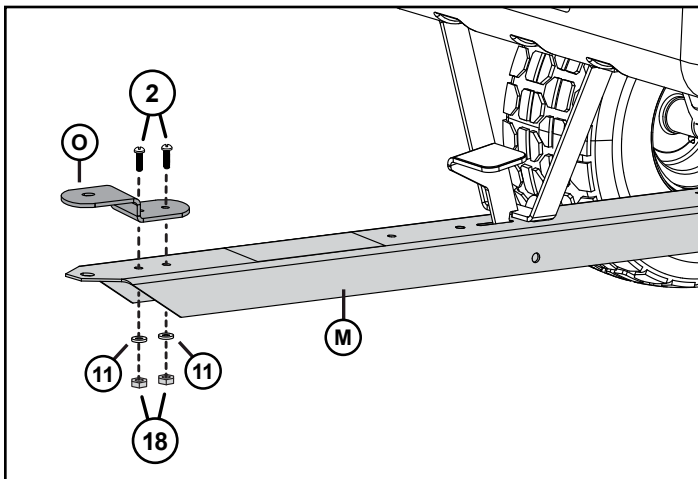


1. Follow the illustrations above and gently guide the cart bed to position 3.
2. Continue to follow the illustrations above, guiding the cart bed to position 4.
3. Make sure the lock bracket (B) locks in place with the foot pedal.

# Assembly

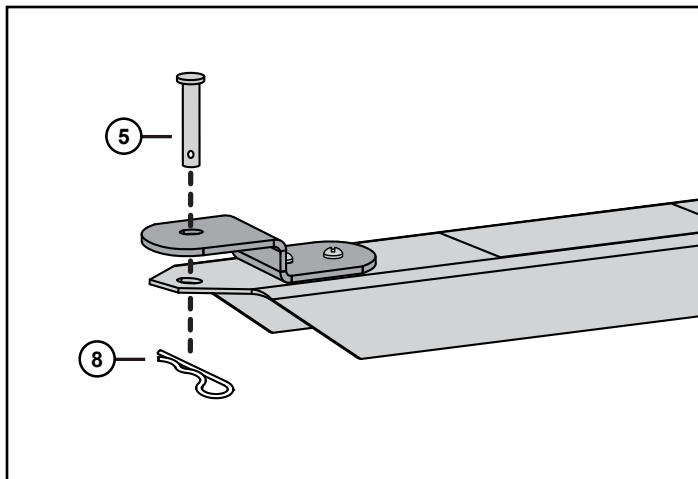
Use hardware from Panel 5

## Step 15-A. Adding the Clevis



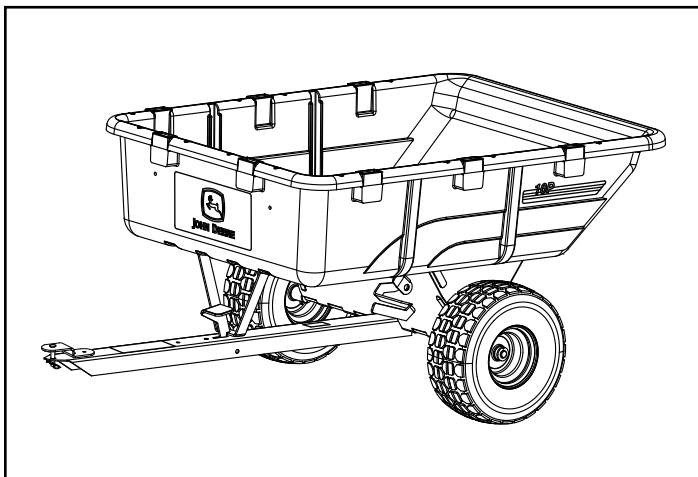
1. Position clevis (O) on cart drawbar (M) as illustrated.
2. Slide two 5/16 x 1 in. slotted head screws (2) through clevis (O) and the drawbar (M).
3. Secure beneath the drawbar (M) with two 5/16 in. lock washers (11) and two 5/16 in. nuts (18).

## Step 15-B. Adding the Clevis



1. Install clevis pin (5) through clevis and cart drawbar. Secure with 1/8 in. hairpin cotter (8).

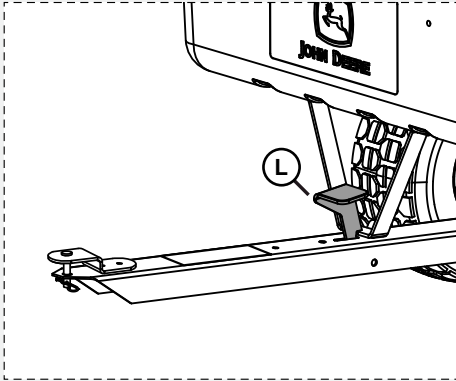
## Step 16. Tire Preparation



1. Inflate tires to correct tire pressure.
2. Grease wheel bearings with John Deere multipurpose grease or an equivalent.
3. **ASSEMBLY IS COMPLETE.**

# Installing and Removing

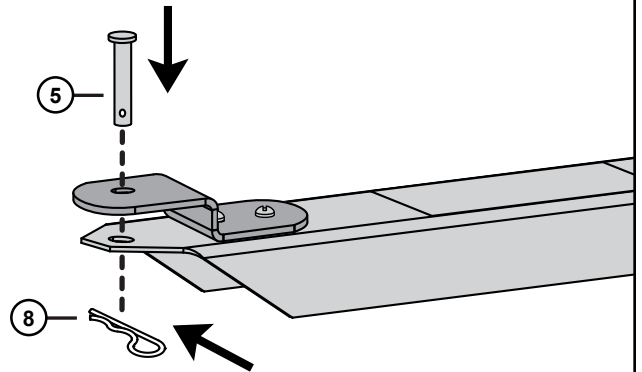
## INSTALLING CART



**CAUTION: Avoid injury!**

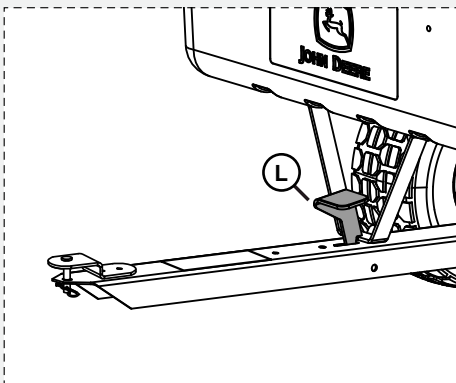


Before installing cart, make sure the dump levers are locked in place.



1. Cart foot pedal (L) in place and park machine safely. (See *Parking in the Safety section*).
2. Align cart drawbar with machine drawbar.
3. Install clevis pin (5) through cart drawbar and machine drawbar. Secure clevis pin with hairpin cotter (8).

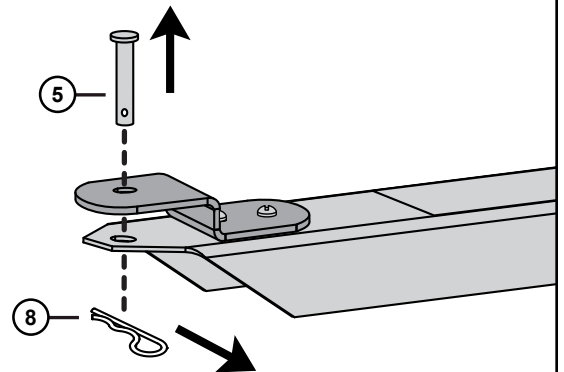
## REMOVING CART



**CAUTION: Avoid injury!**



Before removing cart, make sure the dump levers are locked in place.



1. Park machine safely. (See *Parking Safely in the Safety section*.)
2. Unload cart.



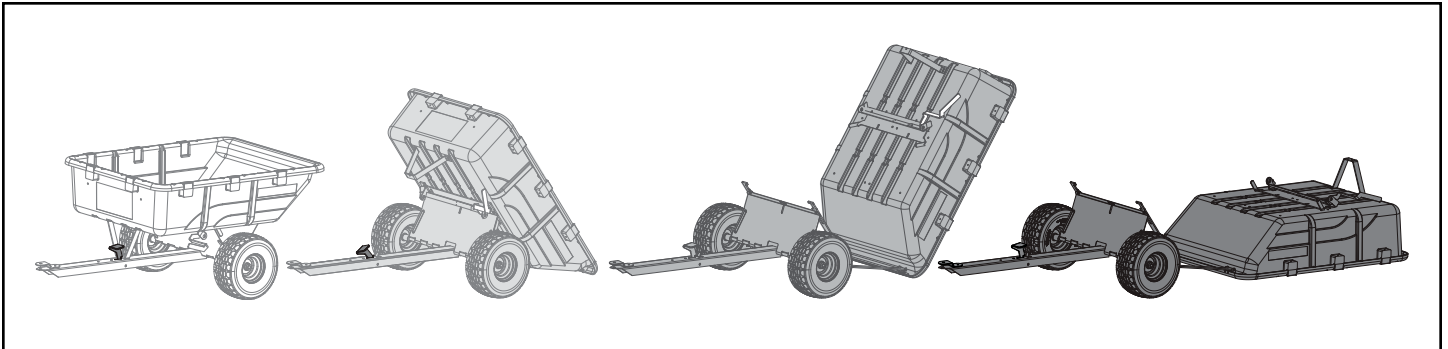
**CAUTION: Avoid injury! Keep hands, feet and other body parts away from under the drawbar.**

3. Remove spring locking pin and clevis pin.
4. Push cart away from machine. Block cart wheels.
5. Install clevis pin and spring locking pin in cart drawbar for storage.



# Operating

## UNLOADING CART

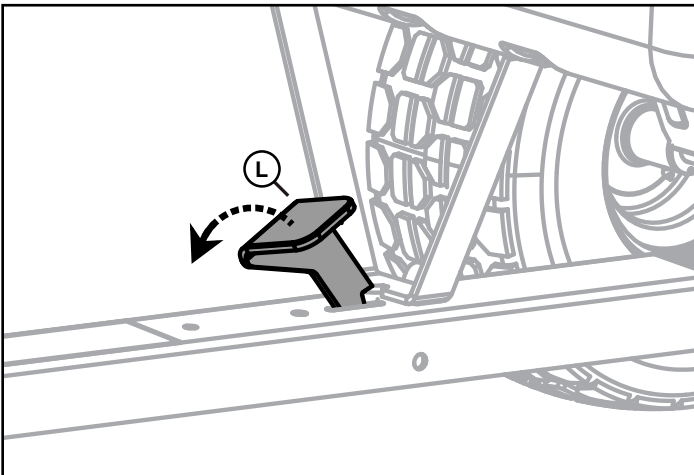


### **CAUTION: Avoid injury!**



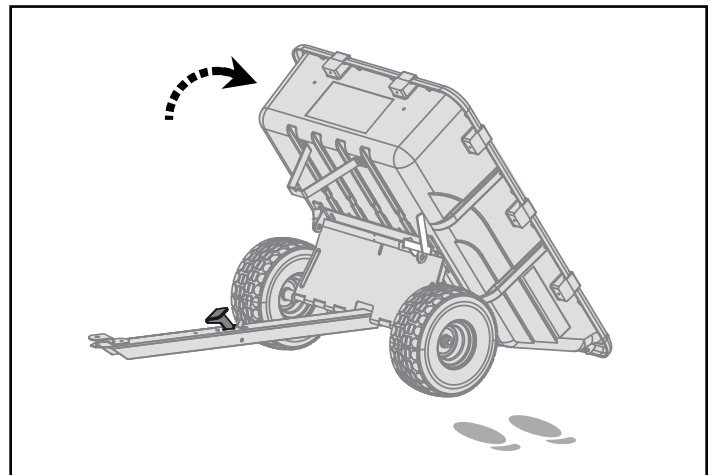
- Before dumping cart, park machine safely.
- Before backing up, make sure the area is clear of bystanders, especially children.
- Make sure cart is installed to the towing machine.
- Keep hands, feet and other body parts away from unloading areas and locking points to prevent injury from hauled materials or the cart itself.

### Step 1. Unloading Cart



1. Park machine safely.  
(See *Parking in the Safety* section).
2. Press down on the foot pedal (L) labeled "Release" to release the lock

### Step 2. Unloading Cart

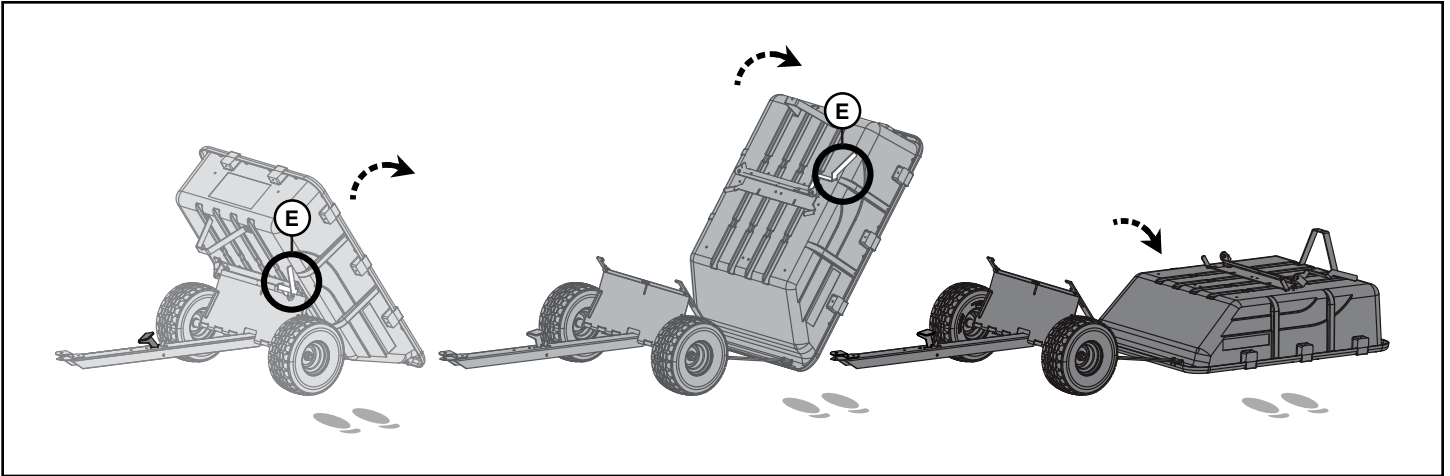


1. Pivot cart to the standard unloading position.



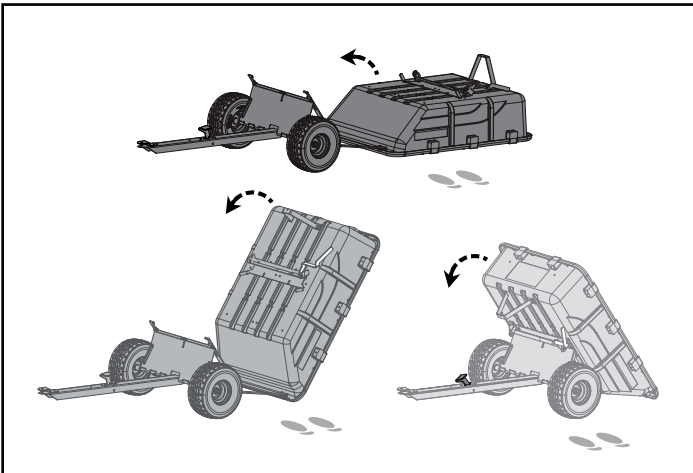
# Operating

## Step 3. Unloading Cart



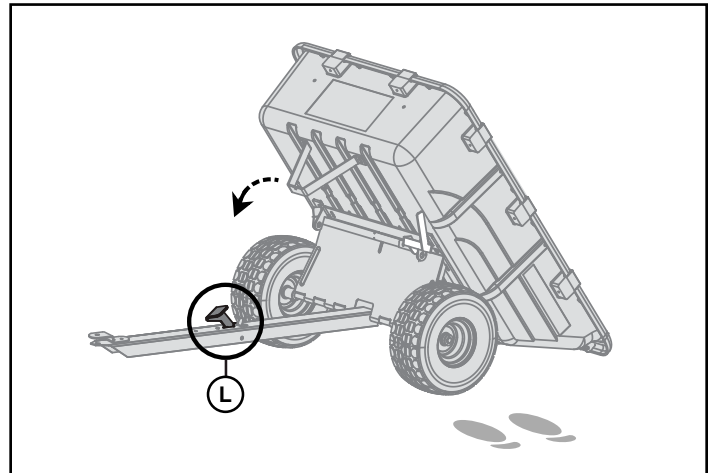
1. Pull the lever (**E**) labeled “Pull” and continue to guide the range of motion, flipping the bed of the cart toward an 180° unload.

## Step 4. Returning Cart to Transport



1. After unloading, rotate cart back into place as illustrated here. *NOTE: When bed of cart returns to this position, it will audibly click into place as the rocker brackets reconnect.*

## Step 5. Returning Cart to Transport



1. Slowly lower the cart back into the standard transport position until the foot pedal (**L**) locks securely in place.

# Operating

## DETERMINING WEIGHT FOR CART

### **CAUTION: Avoid injury!**

Excessive towed load can cause loss of traction and loss of control on slopes. Stopping distance increases with speed and weight of towed load.



Total towed weight must not exceed combined weight of pulling machine, operator and front ballast, or the maximum capacity of the cart.

The following maximum loaded cart weight capacities are the average weight of each cart model loaded with dry sand leveled with the top of the cart.

<b>Load Capacity:</b>	295 kg (650 lb)
<b>+ Empty cart weight:</b>	38 kg (84 lb)

---

<b>Total Capacity:</b>	333 kg (734 lb)
------------------------	-----------------

### **CAUTION: Avoid injury!**

If additional weight is required when towing a cart, add weight at or forward of the rear wheels. Adding weight behind the rear wheels can affect machine steering.



Towing cart capacity will vary with weight of the towing machine and operator. Add the weight of your machine to operator weight to find the maximum capacity of the towing cart. With all cart usage, the cart load should be reduced when operating on slopes or slippery surfaces to maintain stability.

### **Example:**

<b>If towing machine weighs:</b>	225 kg (500 lb)
<b>+ Your weight:</b>	90 kg (200 lb)

---

<b>Combined weight equals:</b>	315 kg (700 lb)
--------------------------------	-----------------

To maintain stability using the cart in this example, you cannot safely carry more than 315 kg (700 lb) without first adding additional ballast to the towing machine.

# Maintenance / Specifications / Service

## GENERAL MAINTENANCE

**NOTE: Unload cart before performing any maintenance or service.**

- Lubricate wheel bearings annually or more frequently with heavy use.
- Wash cart bed after each use to avoid damage to bed or hardware.
- Check tire pressure with an accurate gauge, add or remove air if necessary.

## SPECIFICATIONS

### Model 10P Cart

Maximum Towing Speed . . . . .	13 kph (8 mph)
Box Capacity (Heaping). . . . .	28m <sup>3</sup> (10 cu ft)
Maximum Load . . . . .	295kg (650 lb)
Maximum Tongue Weight . . . . .	32kg (70 lb)
Empty Weight . . . . .	38kg (84 lb)
Tire Size . . . . .	15.00 x 6-6
Inflation Pressure . . . . .	97kPa (14 psi)

## Service

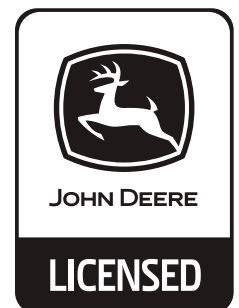
### John Deere Quality Continues with Quality Service

John Deere provides a process to handle your questions or problems, should they arise, to ensure that product quality continues with the quality parts and service support.

**Follow the steps below to get answers to any questions you may have about your product.**

1. Refer to your attachment and machine operator manuals.
2. In North America or Canada, call John Deere Special Services at 1-866-218-8622 and provide product serial number (if available) and model number.

This product was manufactured by Brinly-Hardy Co. a John Deere Licensee, located at 3230 Industrial Pkwy; Jeffersonville, IN 47130. If you have any questions or concerns with the assembly, installation or operation of this attachment see your local John Deere Dealer or call Brinly-Hardy at 866-218-8622 for assistance.



# Warranty

## Limited Warranty for New John Deere Licensed Products

A. General Provisions – The warranties described below are provided by manufacturer, Brinly Hardy Company, on John Deere Licensed products to the original purchaser of new Lawn and Garden attachments from authorized John Deere Dealers & Retailers. Under these warranties, the manufacturer will repair or replace, at its option, any covered part found to be defective in material or workmanship during the applicable warranty term. The purchaser will be responsible, however, for any service call and / or transportation of product to and from the dealer's place of business, for any premium charged for overtime labor requested by the purchaser, and for any service and/or maintenance not directly related to any defect covered under the warranties below.

B. What is warranted – All parts of any new John Deere Licensed product, are warranted for the number of months specified below. When you call please have the serial number, if applicable, and model number.

C. What is not warranted – 1) Used products; (2) Any product that has been altered or modified in ways not approved by the manufacturer; (3) Depreciation or damage caused by normal wear, lack of reasonable and proper maintenance, failure to follow operating instructions, misuse, lack of proper protection during storage, or accident; (4) normal maintenance parts and service.

D. Securing Warranty Service – To secure warranty service, the purchaser must (1) report the product defect to an authorized dealer, or to the manufacturer by calling 866-218-8622, and request repair within the applicable

warranty term, (2) present evidence of the warranty start date, and (3) make the product available to the dealer or service center within a reasonable period of time.

E. Limitation of implied warranties and other remedies – To the extent permitted by law, neither John Deere nor any company affiliated with it makes any warranties, representations or promises as to the quality, performance or freedom from defect of the equipment covered by this warranty. Implied warranties of merchantability and fitness for a particular purpose, to the extent applicable, shall be limited in duration to the applicable period of warranty set forth on this page. The purchaser's only remedies in connection with the breach or performance of any warranty on the John Deere Lawn and Garden attachments are those set forth on this page. In no event will the Dealer, John Deere or the manufacturer be liable for incidental or consequential damages. (Note: Some states do not allow limitations on how long an implied warranty lasts or the exclusion or limitation of incidental or consequential damages so the above limitations and exclusions may not apply to you.) This warranty gives you specific legal right, and you may also have other rights, which vary from state to state.

F. No Dealer Warranty – The selling Dealer makes no warranty of its own and the Dealer has no authority to make any representation or promise on the behalf of John Deere or the manufacturer to modify the terms or limitations of the warranty in any way.

Manufacturer's Lawn & Garden Attachments	*Warranty Term
Steel Frame	2 Years
Transmission (gearbox)	2 Years
Poly Hoppers & Beds	2 Years
Wheels	1 Year
Hydraulics	1 Year
Drive Gears	1 Year
Other normal wear parts	1 Year

*\*Each Warranty Term begins on the date of product delivery to the purchaser.*

**Register your John Deere Licensed Product by completing & mailing in the enclosed Warranty Registration Card.**  
For Customer Service: Please call 866-218-8622