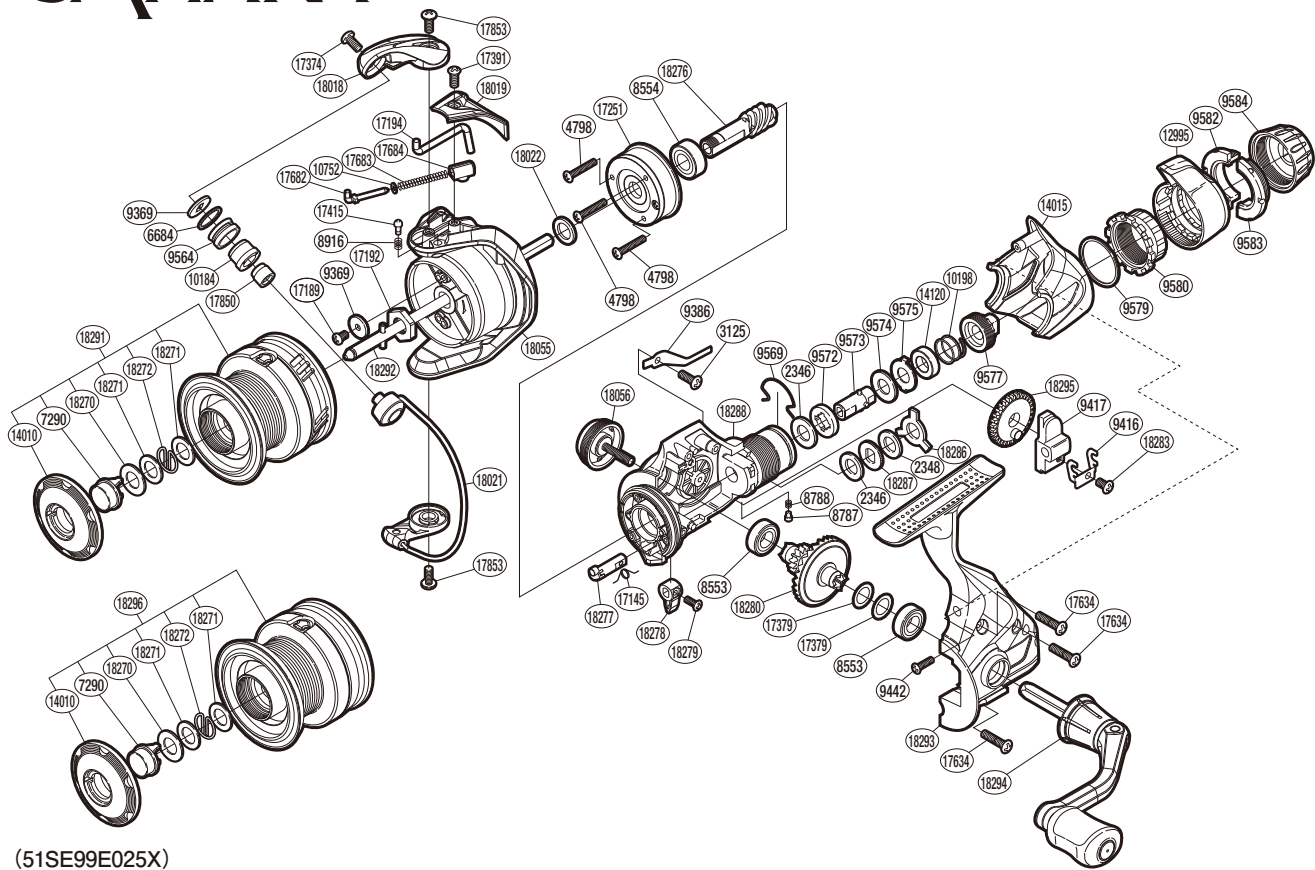


# SHIMANO

## SAHARA

### SH-2500R



(51SE99E025X)

#	Part No.	Description	#	Part No.	Description	#	Part No.	Description
2346	10KN2	Drag Washer	9582	107TV	Drag Programmer B1	18018	101ZD	Bail Arm
2348	10KN3	Drag Washer	9583	10NC5	Drag Programmer B2	18019	101ZG	Bail Spring Cover
3125	103DB	Screw	9584	10MVK	Drag Programmer A	18021	10RUM	Bail Assembly
4798	103C6	Screw	10184	10PFH	Line Roller Bushing	18022	10JVH	Washer
6684	10KFD	Line Roller Spacer	10198	10N84	Drag Coil Spring	18055	101ZB	Rotor
7290	10JRT	Push Button	10752	10TYE	Bail Spring Guide A Support	18056	10283	Handle Screw Cap
8553	107AT	Ball Bearing	12995	10B7E	Fightin Lever Assembly	18270	10AX1	Washer
8554	107FE	Ball Bearing	14010	10QPV	Push Button Collar	18271	10AX4	Washer
8787	10MFC	Click Pin	14015	10NE0	Rear Protector	18272	10AX2	Locking Spring
8788	107D0	Click Spring	14120	10BX7	Drag Collar	18276	10SG0	Pinion Gear
8916	10CH0	Click Spring	17145	105B4	Anti-reverse Cam Spring	18277	10SS7	Anti-reverse Cam
9369	10PFP	Washer	17189	10PMC	Screw	18278	10SSA	Anti-reverse Lever
9386	10P0E	Drag Click	17192	1067Y	Rotor Nut	18279	10L1V	Screw
9416	10JZH	Oscillating Slider Retainer	17194	106P2	Bail Trip Lever	18280	10SS0	Drive Gear
9417	104L0	Oscillating Slider	17251	10QPN	Roller Clutch Assembly	18283	10L23	Screw
9442	10L1X	Screw	17374	10K90	Screw	18286	107CP	Eared Washer
9564	10JLE	Line Roller	17379	10GR3	Washer	18287	10MYV	Click Gear
9569	10P3V	Hold Click Spring	17391	10LFK	Screw	18288	10SG3	Body
9572	10MXN	Drag Shaft B	17415	106ZC	Click Pin	18291	10SS9	Spool Assembly
9573	10MS9	Drag Shaft A	17634	10L6Q	Screw	18292	10EC8	Main Shaft
9574	107CW	Drag Washer	17682	1061L	Bail Spring Guide A	18293	10EC5	Side Cover
9575	10N7W	Eared Washer	17683	105R6	Bail Spring	18294	10SS3	Handle Assembly
9577	10MV6	Pressure Screw	17684	107AB	Bail Spring Seat	18295	10SSB	Oscillating Gear
9579	10711	Fightin Pressure Screw Washer	17850	1020X	Line Roller Collar			
9580	1070U	Fightin Pressure Screw	17853	10LFH	Screw	18296	10SS5	Spare Spool Assembly

Please note that the number of adjusting washers may not be the same as shown in the exploded views.  
(Adjustment will vary with each individual product.)

(230808)\_005