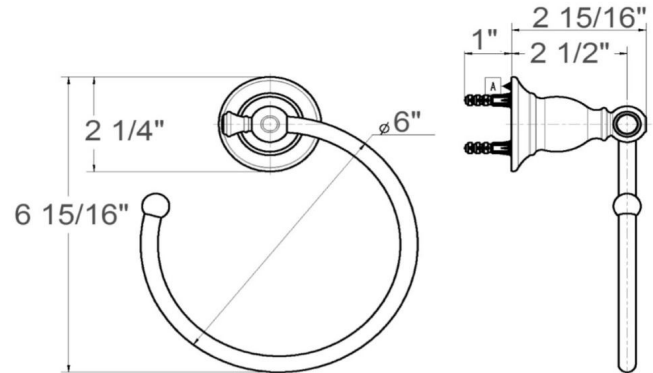


Oakmont Towel Ring
Oil Rubbed Bronze



SPECIFICATIONS

MATERIAL CONSTRUCTION:	Zinc/Aluminum
PVD FINISH:	No
ASSEMBLY REQUIRED:	No
TOOLS NEEDED FOR INSTALLATION:	Screwdriver, Drill, Pencil
ASSEMBLED DIMENSIONS:	6.9" H x 6" L x 2.9" D
ASSEMBLED WEIGHT:	0.5812 lbs.
MIN. LENGTH:	N/A
MAX LENGTH:	N/A
SCREWS INCLUDED:	Yes
DRYWALL ANCHORS INCLUDED:	Yes
CENTER TO CENTER:	N/A

WARRANTY:	1-Year limited warranty
LEGAL FOR SALE IN CALIFORNIA:	Yes
ADA COMPLIANT:	No



TYPE:
JOB:
ORDER CODE:
APPROVALS: