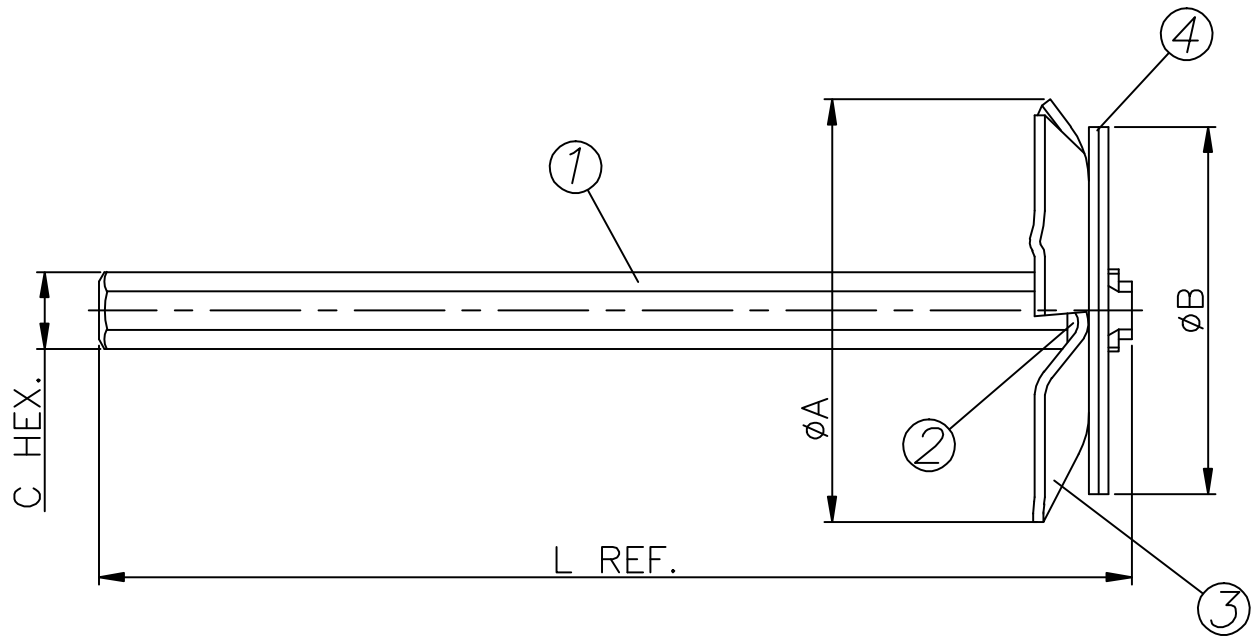


SOCKET SAVERS

- Removes Schedule 40 plastic pipe from a hub
- Easily remove broken pipe in a hub without costly replacement
- Cuts ABS or PVC DWV pipe below slab
- Fits 1/2" variable speed power drill
- Strong steel construction
- Carded for display



Part No.	Description	A	B	C	L
J44050	1/2" Socket Saver	.84"	.58"	5/16"	5"
J44075	3/4" Socket Saver	1.05"	.74"	5/16"	5"
J44100	1" Socket Saver	1.31"	.97"	5/16"	5"
J44150	1-1/2" Socket Saver	1.90"	1.58"	3/8"	5-3/4"
J44200	2" Socket Saver	2.37"	2.04"	3/8"	5-3/4"
J44300	3" Socket Saver	3.50"	3.00"	1/2"	5-3/4"
J44400	4" Socket Saver	4.50"	4.00"	1/2"	5-3/4"