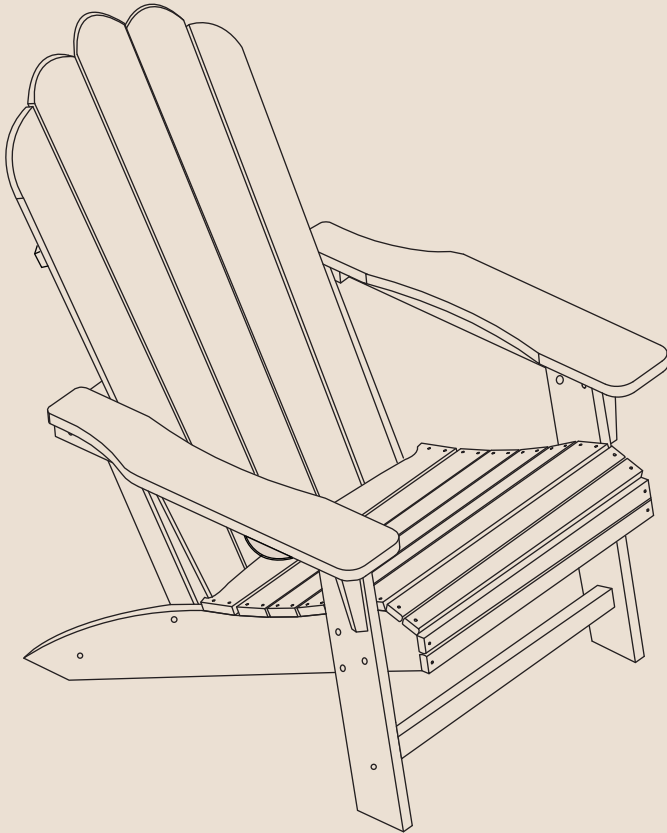


WWT  
WESTINTRENDS  
WWT

DESIGNED IN CALIFORNIA



— OUTDOOR POLY ADIRONDACK CHAIR —

# THANK YOU!

We appreciate you for choosing WestinTrends!

Thank you for letting WestinTrends continue to offer accessible luxury trends, inspired by everyone!

---

## JOIN THE WESTINTRENDS COMMUNITY

Sign up here:

[\*https://westintrends.com/welcome\*](https://westintrends.com/welcome)



## QUESTIONS OR COMMENTS?

If you have questions reach out to  
[cs@westintrends.com](mailto:cs@westintrends.com)

---

FOLLOW, SHARE, & LEARN



## PRODUCT REGISTRATION

[\*https://westintrends.com/apps/product-registration\*](https://westintrends.com/apps/product-registration)



## ! CARE & MAINTENANCE

### Please keep these instructions for your future reference.

- Do not overtighten screws. (Insert all screws before tightening screws.)
- Please do not exceed the weight limitations of this item.
- Do not stand on or use any part of this item as a step ladder.
- Firmly secure all bolts, screws and nuts before use.
- Make sure that all bolts, screws, and nuts are secure every 90 days.
- Do not use or store this item in the proximity of open flame or flammable/combustible chemicals.
- Be aware that some parts are heavy and have sharp edges.
- Please adjust the speed slowly when you use electric drill for assembling to avoid screw slippage.
- Be very careful when folding chair to avoid smashing your hands or fingers.

## TOOLS REQUIRED



CHAIR  
330 LBS  
CAPACITY

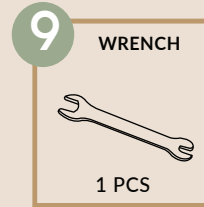
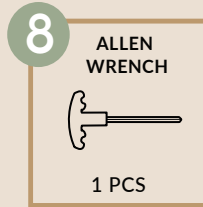
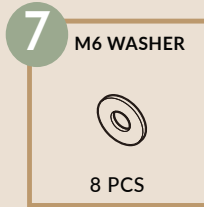
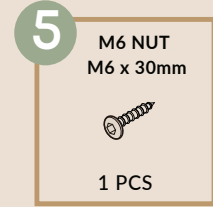
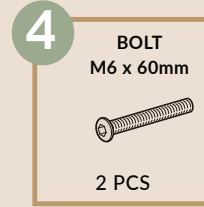
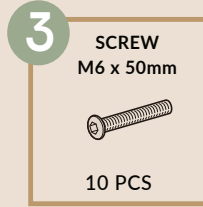


1 PERSON  
ASSEMBLY

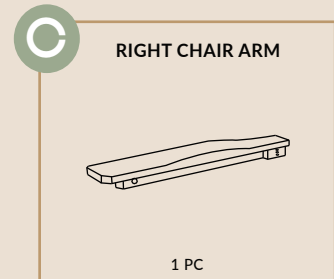
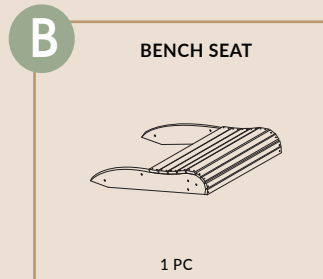
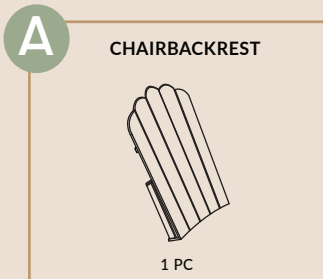


UP TO 30 MIN.  
ASSEMBLY

## HARDWARE



## PARTS



## PARTS

D

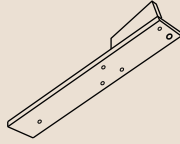
LEFT CHAIR ARM



1 PC

E

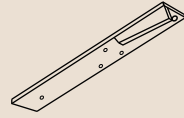
RIGHT CHAIR LEG



1 PC

F

LEFT CHAIR LEG



1 PC

G

FRONT  
WOODEN BRACE



1 PC

H

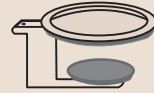
BACK  
WOODEN BRACE



1 PC

I

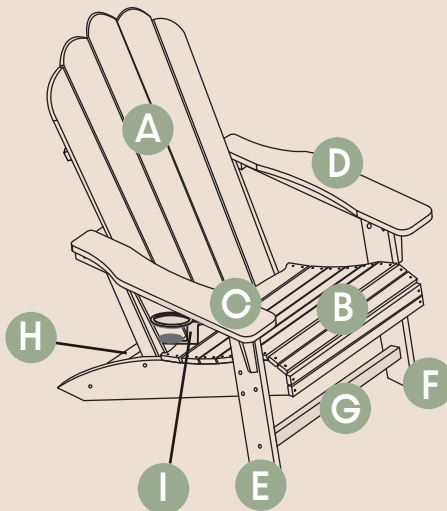
WATER BOTTLE CAGE



1 PC

## PRODUCT ASSEMBLY - OVERALL VIEW

Look at the overall view of this chair and learn the exact position of each part to be assembled.

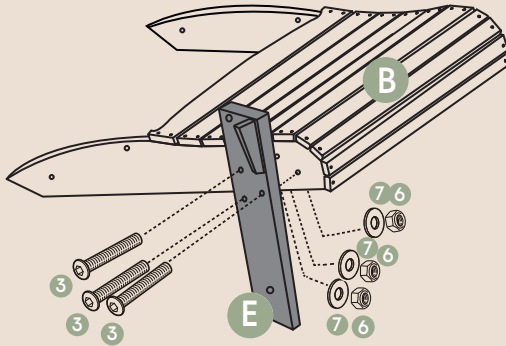


## PRODUCT ASSEMBLY

1

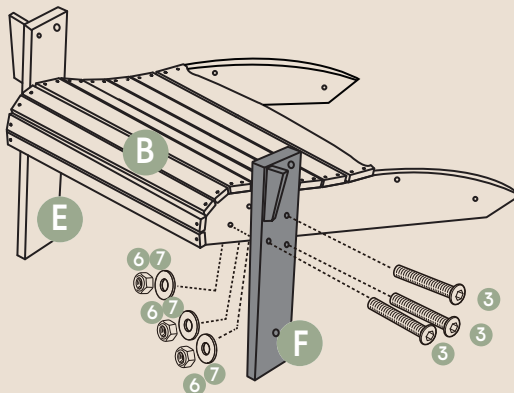
Attach **part E Right Chair Leg** to **part B Chair Seat** with 3 sets of hardware **#3 Bolt**, hardware **#6 Nut** and hardware **#7 Washer**.

Do not tighten screws or bolts too much at this stage.



2

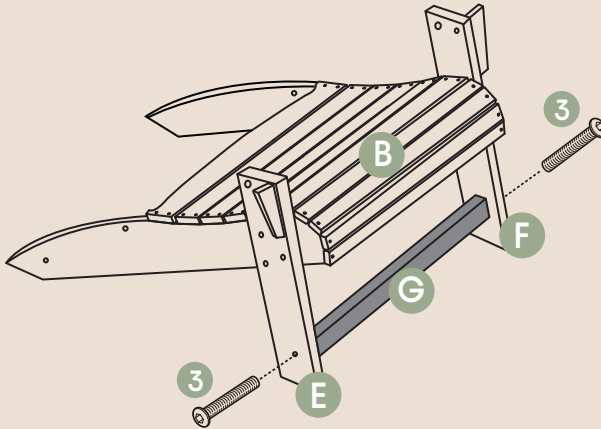
Do the same to attach **part F Left Chair Leg** to combined **part (B + E)** with 3 sets of hardware **#3 Bolt**, hardware **#6 Nut** and hardware **#7 Washer**.



## PRODUCT ASSEMBLY

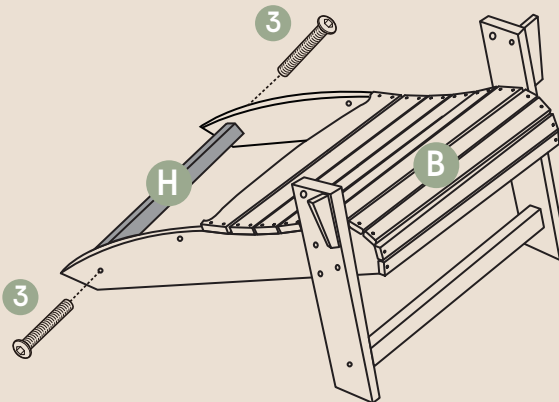
3

Attach **part G Front Wooden Brace** to **part E** and **part F Chair Legs** with 2 pcs of hardware **#3 Bolt**.



4

Attach another **part H Back Wooden Brace** to **part B Chair Seat** with 2 pcs of hardware **#3 Bolt**.

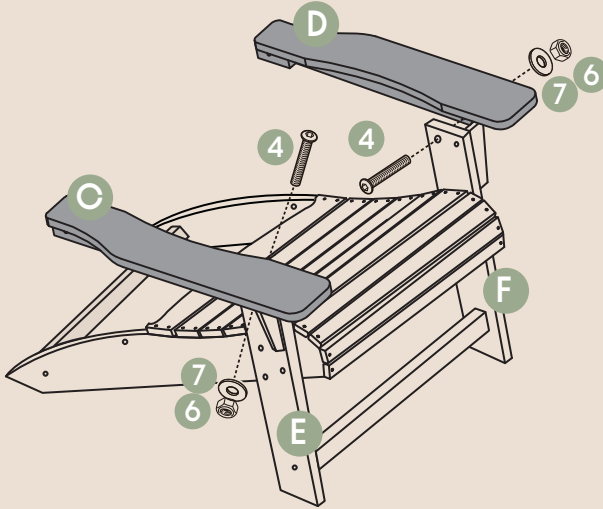


## PRODUCT ASSEMBLY

5

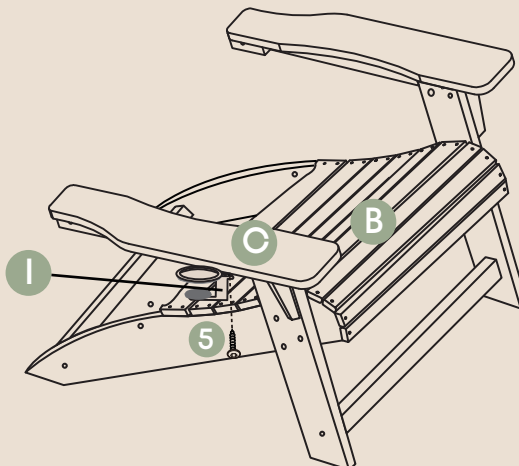
Attach **part C Right Chair Arm** to **part E Right Chair Leg** with 1 set of hardware **#4 Bolt**, hardware **#6 Nut** and hardware **#7 Washer**.

Do the same to attach **part D Left Chair Arm** to **part F Left Chair Leg**.



6

Attach **part I Water Bottle Cage** to **part C Right Chair Arm** with 1 pc of hardware **#5 Screw**.



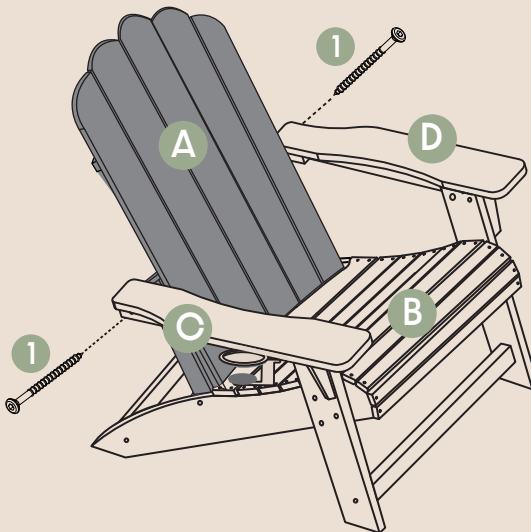
7

Attach **part A Chair Backrest** to **part B Chair Seat** with 2 pcs of hardware #2 Screw.



8

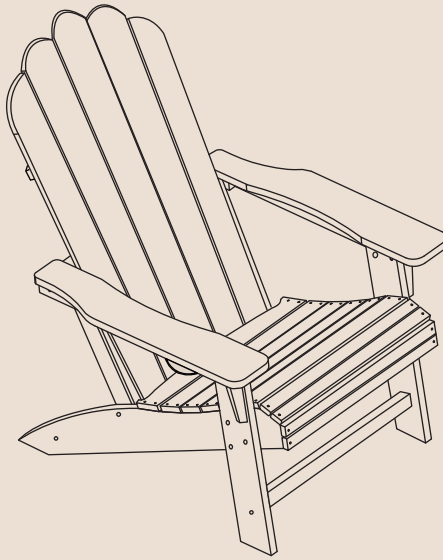
Attach **part A Chair Backrest** to **part C Right Chair Arm** and **part D Left Chair Arm** with 2 pcs of hardware #1 Screw.





9

Tighten all bolts and screws again to ensure the steady of this chair.



## REGISTRATION & REFUND POLICY

<https://westintrends.com/apps/product-registration>



<https://westintrends.com/policies/refund-policy>



### HAVING TROUBLE

- **Not sure how to assemble or missing pieces?**

Please contact our Customer Service Team for assistance at [cs@westintrends.com](mailto:cs@westintrends.com)

**Have Order #, Part # or SKU ready to speed up customer service!**

### CLEANING TIPS

**REGULAR CLEAN:** Use a mixture of warm water and mild soap. Gently scrub the surface with a soft bristle brush to remove any dirt or stains.

**QUICK CLEAN:** You can simply wipe down the HDPE furniture with a damp cloth. The material's resilience makes it resistant to most spills and stains, ensuring a hassle-free maintenance routine.

*Regular cleaning not only preserves the aesthetic appeal of your furniture but also helps extend its lifespan.*

Pressure washer can be used for seriously deep-cleaning - **DO NOT exceed 1500 PSI** - this will remove debris and dirt.