

## Features

- 1.2 gpm (4.5 lpm) maximum flow rate
- Single Lever handle allows for both volume and temperature control
- Red/blue indexing on handle
- Temperature memory allows faucet to be turned on and off at the temperature set during prior usage
- Includes metal pop-up drain with 1-1/4" (32 mm) tailpiece
- Coordinates with other products in the July collection
- KOHLER® ceramic disc valves exceed industry longevity standards for a lifetime of durable performance

## Material

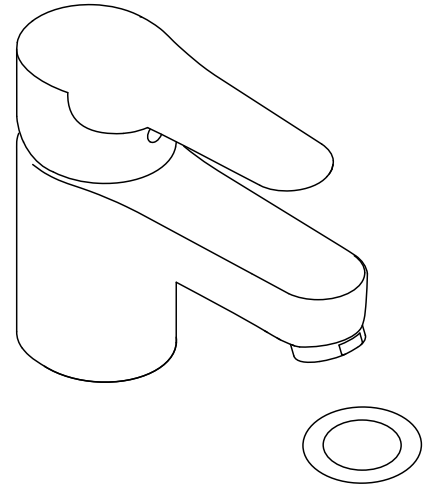
- Premium metal construction for durability and reliability
- KOHLER finishes resist corrosion and tarnishing

## Installation

- Bath- or deck-mount
- Flexible supply lines simplify installation
- For single-hole installation
- Preattached flexible supply lines simplify installation

## Recommended Products/Accessories

K-23726 Drain treatment



## Codes/Standards

ASME A112.18.1/CSA B125.1  
NSF/ANSI/CAN 61  
NSF/ANSI/CAN 372  
DOE - Energy Policy Act 1992  
EPA WaterSense®  
California Energy Commission (CEC)  
ADA  
ICC/ANSI A117.1  
CSA B651  
OBC

## KOHLER® Faucet Lifetime Limited Warranty

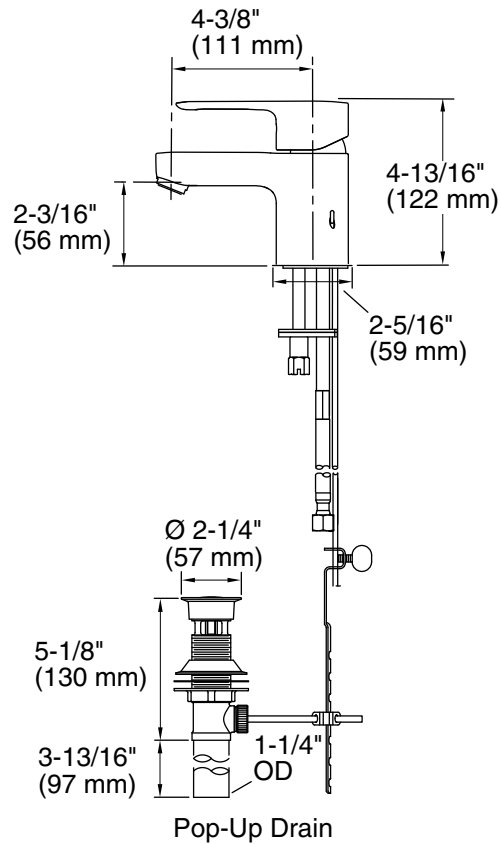
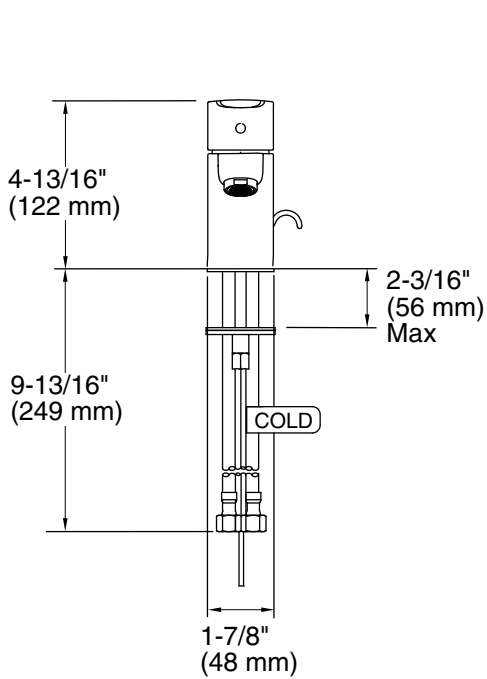
See website for detailed warranty information.

## Available Colors/Finishes

*Color tiles intended for reference only.*

### Color Code Description

■ CP Polished Chrome



### Technical Information

All product dimensions are nominal.

Faucet flow rate: 1.2 gal/min (4.5 l/min)

Drain included: Yes

Drain tailpiece included: Yes

### Spout:

Spout reach: 4-3/8" (111 mm)

### Notes

Install this product according to the installation guide.

ADA compliant for handles only.

ADA, OBC, CSA B651 compliant when installed to the specific requirements of these regulations.