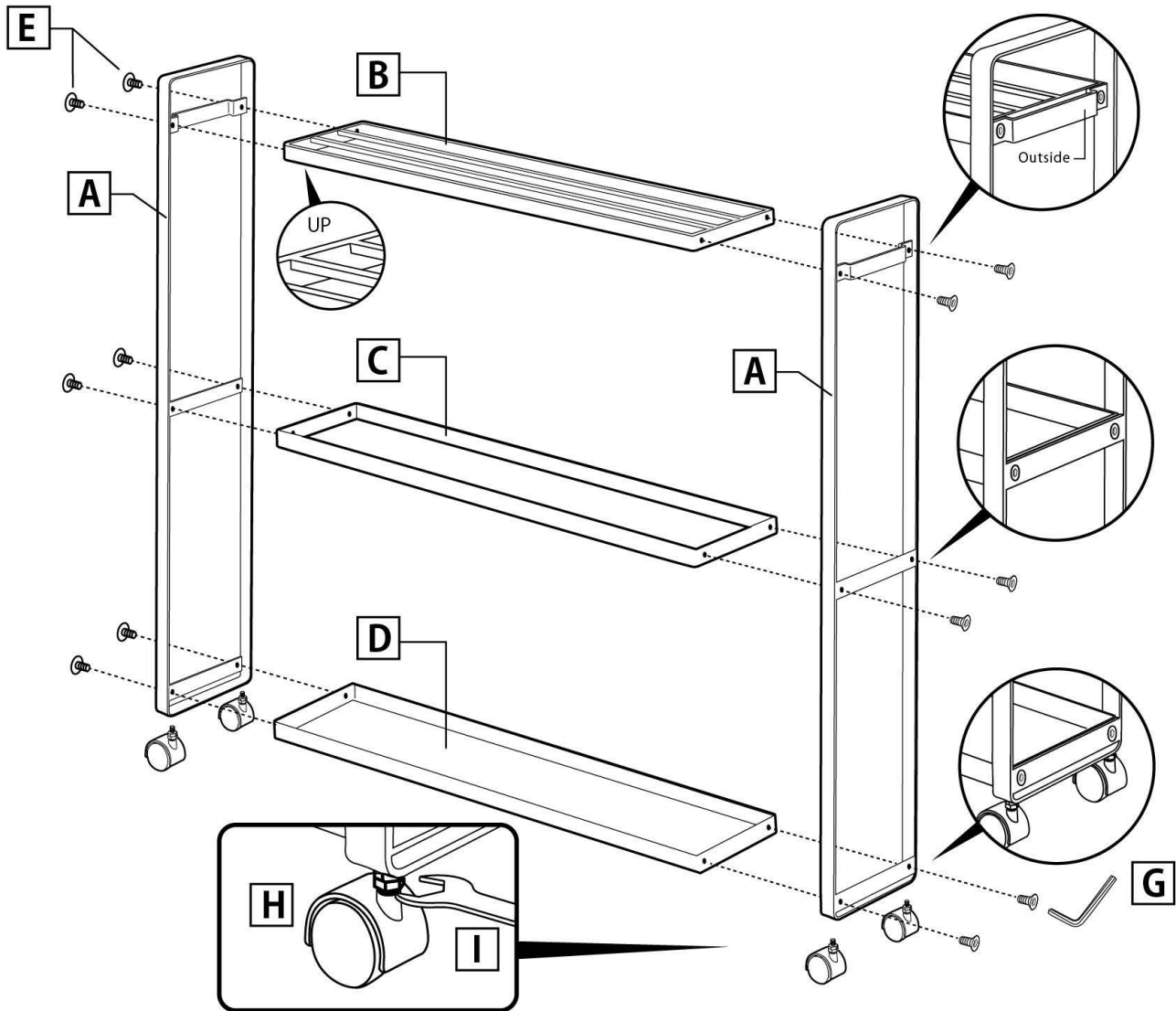
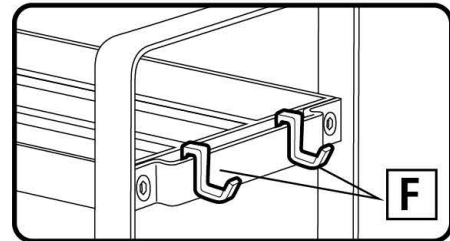


Assembly Troubleshooting
 Please note the screw hole bevel on the frame pieces (A). The screw (E) should be inserted from the same side as this bevel, allowing the screw to sit flush with the frame when properly installed.
 If the screw (E) is not sitting flat with the frame when installing parts (B), (C) and (D), the screw has been inserted from the wrong side. Please see the detailed diagram for guidance. The horizontal bars on the frame should be facing outward.



EN/
 Tower Towel Rack and Organizer Wagon
SIZE
 9" w x 3.7" d x 6.3" h
 67w x 15d x 84.5h cm
MATERIAL
 Steel, Nylon
 Made in China.
 Designed in Japan.

FR/
 Tower Porte-serviettes et chariot de rangement
TAILLE
 67w x 15d x 84.5h cm
MATÉRIEL
 Acier, Nylon
 Fabriqué en Chine.
 Conçu au Japon.

DE/
 Tower Handtuchhalter und Organisationswagen
GRÖSSE
 67w x 15d x 84.5h cm
MATERIAL
 Stahl, Nylon
 In China hergestellt.
 Entworfen in Japan.

ES/
 Tower Toallero y carrito organizador
TAMAÑO
 67w x 15d x 84.5h cm
MATERIAL
 Acero, Nylon
 Hecho en China.
 Diseñado en Japón.

JP/
 収納付きバスタオルハンガータワー
SIZE
 67w x 15d x 84.5h cm
MATERIAL
 本体: スチール(粉体塗装)
 キャスター: ナイロン樹脂
 Made in China.
 Designed in Japan.



www.theyamazakihome.com
 Imported by:
 YAMAZAKI EUROPE GmbH / Immermannstr. 33, 40210 Düsseldorf, Germany
 YAMAZAKI USA Inc. / 67 West St, Brooklyn, NY 11222 United States
 YAMAZAKI Co., Ltd. / 奈良県生駒郡安堵町窪田851-1