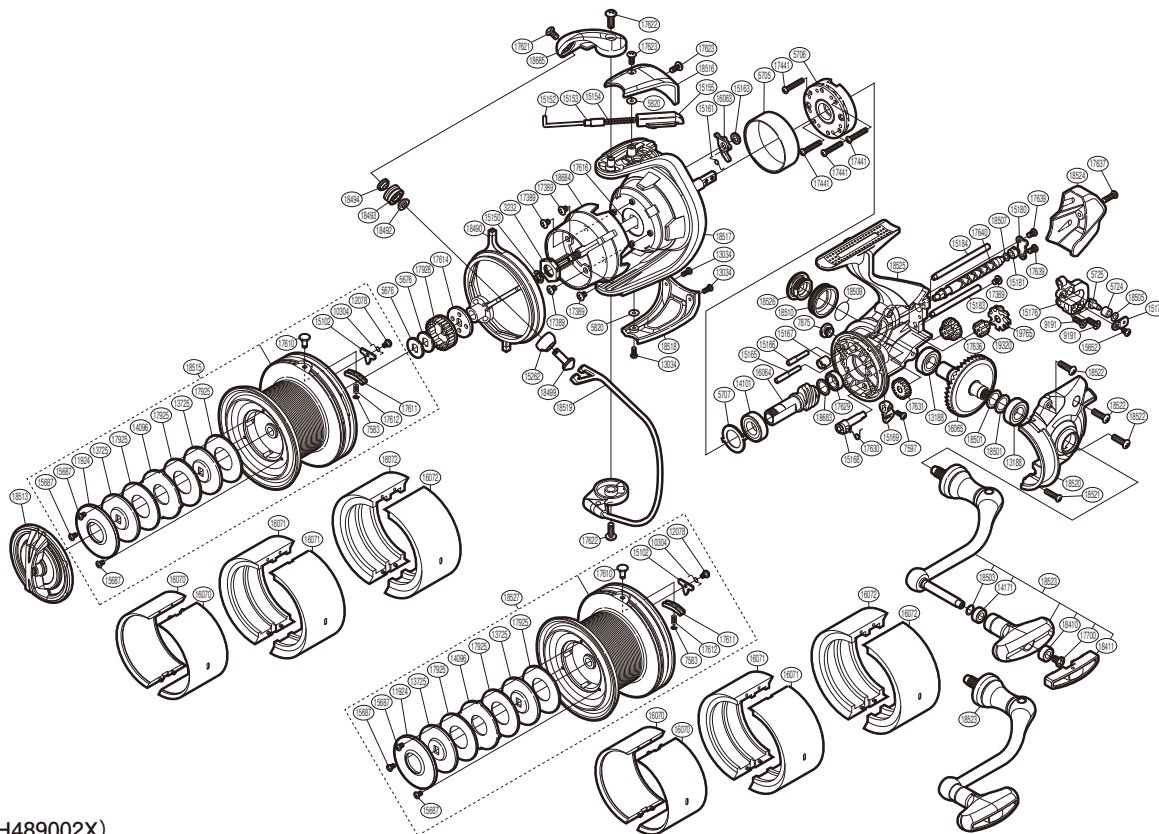


# SHIMANO

## ULTEGRA CI4+

## ULTCI414000XTC



(51SH489002X)

#	Part No.	Description	#	Part No.	Description	#	Part No.	Description
3232	107VW	Rotor Nut	15176	10G62	Oscillating Slider	18493	101A1	Line Roller Assembly
5676	106VN	Spool Washer	15180	10AT4	Worm Shaft Retainer	18494	10QV3	Line Roller Spacer
5705	106HS	Roller Clutch Ring	15181	106M3	Worm Bushing (Rear)	18499	10QUV	Line Roller Support
5706	10QL4	Roller Clutch Assembly	15183	10357	Oscillating Guide A	18501	10DHR	Washer
5707	106MU	Bearing Washer	15184	104M7	Oscillating Guide B	18503	101BD	Washer
5724	10JUY	Oscillating Slider Bushing	15262	10G8L	Line Roller Support Cover	18505	101BS	Washer
5725	106V1	Oscillating Pawl	15652	103LG	Screw	18507	101BR	Washer
5820	105AA	Washer	15687	10MPR	Screw	18509	10U0B	O Ring
7583	105NC	E Lock	16063	1085E	Bail Trip Lever	18510	10QV5	Handle Screw Cap Holder
7597	10LCY	Screw	16064	10BZ3	Pinion Gear	18513	10QUX	Drag Knob Assembly
7875	109LW	Oil Cap	16065	10AMA	Drive Gear	18515	10QUR	Spool Assembly
9191	10ML9	Screw	17389	10LHN	Screw	18516	10QUQ	Bail Spring Cover
10304	10JX8	Click Spring	17441	10LJ3	Screw	18517	10046	Rotor Assembly
11924	10LR0	Seal Plate	17610	10ATX	Line Clip	18518	10QV6	Bail Hold Support Guard
12078	10PH4	Screw	17611	10JQU	Line Clip Holder	18519	10RXH	Bail Assembly
13034	103NJ	Screw	17612	10B03	Line Clip Spring	18520	10QUN	Side Cover
13188	10BGD	Ball Bearing	17614	10GH5	Spool Support B	18521	10U07	Screw
13725	10PLN	Key Washer	17616	103MD	Main Shaft	18522	10SJ4	Screw
14096	10N2H	Eared Washer	17621	10K92	Screw	18523	10QUW	Handle Assembly
14101	104PW	Ball Bearing	17622	10LLK	Screw	18524	10QV0	Rear Protector
14171	104UJ	Handle Knob Bushing B	17623	10LFG	Screw	18525	10RXG	Body Assembly
15102	1038F	Drag Click	17629	10EX6	Ball Bearing	18526	10QV2	Handle Screw Cap
15150	105RZ	E Lock	17630	10DCS	Anti-Reverse Cam Spring	18683	10HHX	Washer
15152	105YW	Bail Spring Guide A	17631	10HBN	Idle Gear	18684	10QUY	Rotor Brim
15153	10HDL	Bail Spring Guide A Support	17636	10H4C	Idle Gear C	18685	10QV9	Bail Arm
15154	105LK	Bail Spring	17637	103LU	Screw	19320	10S81	Idle Gear B Small
15155	107A8	Bail Spring Guide B	17639	10L22	Screw	19765	100EY	Idle Gear B
15161	106PM	Lever Spring	17640	10822	Worm Shaft			
15163	10764	Washer	17700	10LFA	Screw	18527	10U00	Spare Spool Assembly (accessory)
15165	10CKK	Idle Gear B Shaft	17925	10DNG	Drag Washer			
15166	10H4E	Idle Gear C Shaft	17928	101Y5	Spool Support A	16070	10EWH	Spool Economizer A (10000) (accessory)
15167	106M2	Worm Bushing (Front)	18410	10EU0	Handle Knob Bushing A	16071	109WH	Spool Economizer B (6000) (accessory)
15168	1053M	Anti-Reverse Cam	18411	10TNL	Handle Knob Seal	16072	10A9G	Spool Economizer C (3500) (accessory)
15169	10G2T	Anti-Reverse Lever	18490	10QV7	Line Safety Guard Assembly			
15175	10HAD	Oscillating Pawl Cover	18492	10QUP	Line Roller Collar			

Please note that the number of adjusting washers may not be the same as shown in the exploded views. (Adjustment will vary with each individual product.)

(240701)\_008