

Sliding Single Wood Door Installation Instructions for the BDH-01MB-72-R

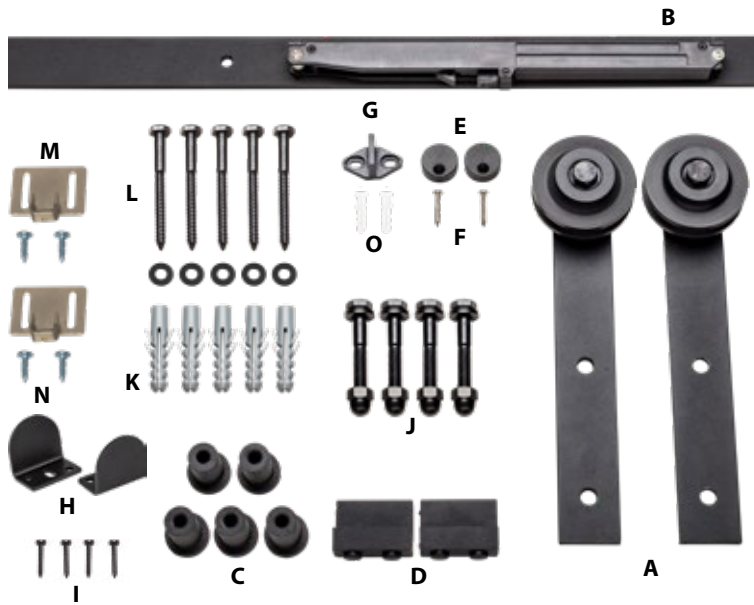
IMPORTANT:

Before you begin, make sure you familiarize yourself with all the parts and fully read the instructions.

CUSTOMER SERVICE:

Toll-free customer help line available weekdays between 7:00am and 6:00pm Central Time at 800-463-0660.

PARTS IDENTIFICATION:



A	Door Roller Hardware Strap	X2
B	72" Rail with Soft-close Installed	X1
C	Wall Bracket	X5
D	Door Stop	X2
E	Anti-jump Disk	X2
F	Screws for Anti-jump Disk	X2
G	Floor-mounted Door Guide (Option A)	X1
H	Floor-mounted Door Guide (Option B)	X2
I	ST4.2x25 Screw for Floor Anchor	X4
J	M10 x 60 Bolt with Washer and Cap Nut	X4
K	Ø12 x 60 Wall Anchor	X5
L	M8 x 90 Wall Screw with Washer	X5
M	Soft-close Door Bracket	X2
N	Screws for Soft-close Door Bracket	X4
O	Floor Anchor	X2

IMPORTANT: BEFORE YOU BEGIN

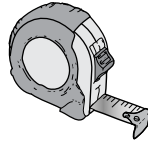

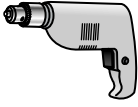




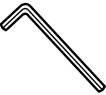
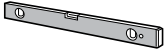
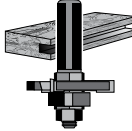
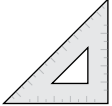
Supports door weight up to 225 lbs.

When installing directly into a non-concrete wall, do not attempt to install the track completely to dry wall. This may not support the weight of the track, door roller hardware and door.

Note: standard strap bolts are provided for 1-3/8" thick doors.

If installing using the internal floor-mounted door guide, the door must be mortised (dado) 1/4" wide by 11/16" deep centrally on bottom.

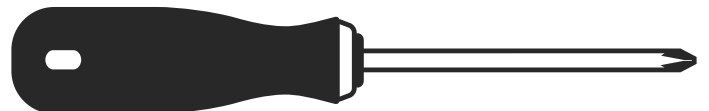
TOOLS NECESSARY:

		
Tape Measure	Pencil	Power Drill
		
8 mm Drill Bit	10 mm Butterfly Drill Bit	Phillips Head Screwdriver
		
Wrench	Allen Key	Level
		
1/4" Mortise Router	Speed Square	

NOTE: If screw gun has a clutch, set to lowest setting so as not to over tighten and/or strip screws.

WARNING: DAMPER POSITION

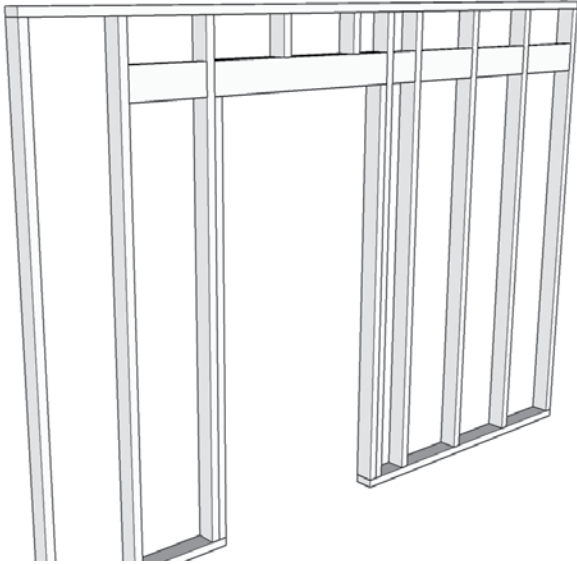
To avoid damaging the soft-close damper, ensure the soft-close damper is in the Opened Status after installation.



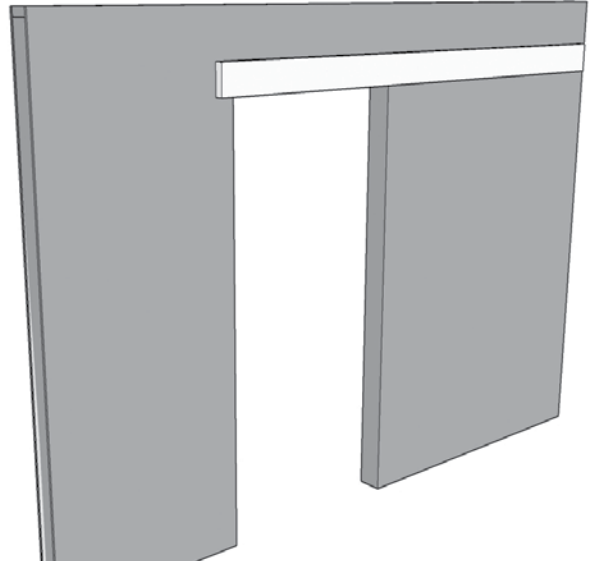
MOUNTING OPTIONS

To gain maximum weight capacity, all wall bolts must be mounted into solid wood studs, wall blocking or mounted to a header board.

Consult a structural engineer if you have questions about what type of wall blocking is required.



NEW CONSTRUCTION: Wood blocking can be installed inside the wall in a new construction.

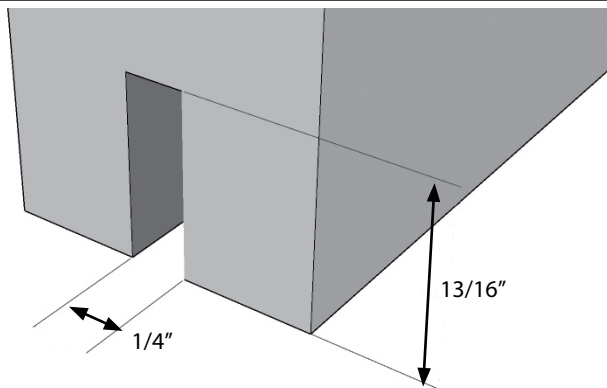


SURFACE MOUNTED: The track can be installed using surface wood blocking mounted to the structural surface of a wall using mounting screws into studs. Use a stud finder where necessary to locate studs and safely secure.

Typical solid wood surface blocking should be 73" (L) x 5-1/2" (H) x 7/8" (D) for the 72" length track.

STEP 1: DOOR PREPARATION

Option A



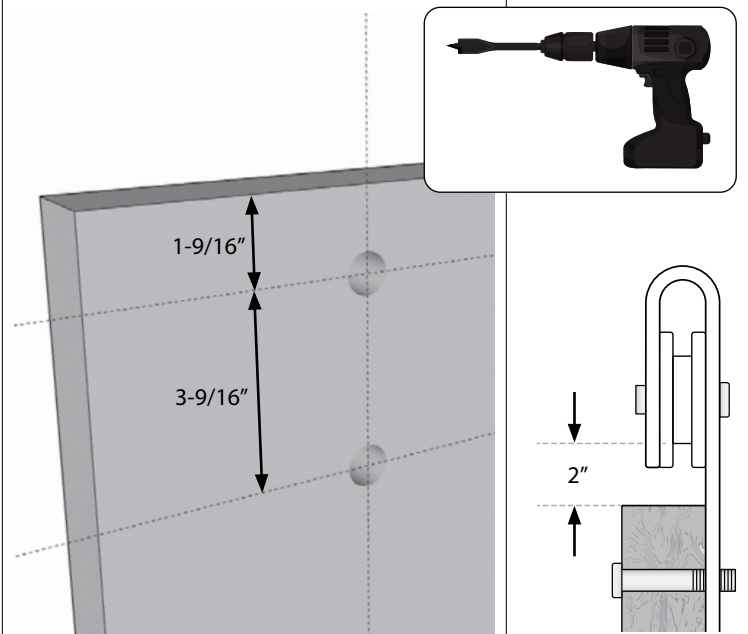
Mortise a 1/4" wide x 13/16" deep groove in the center bottom of the door to use with the floor-mounted door guide. This will prevent the door from swinging in and out and ensure smooth travel side-to-side.

Some local retailers will mortise a door (typically, for an additional charge) if you purchased your door there. See local retailers for details.

Option B

Proceed to Step 2

STEP 2: DOOR PREPARATION - STRAPS

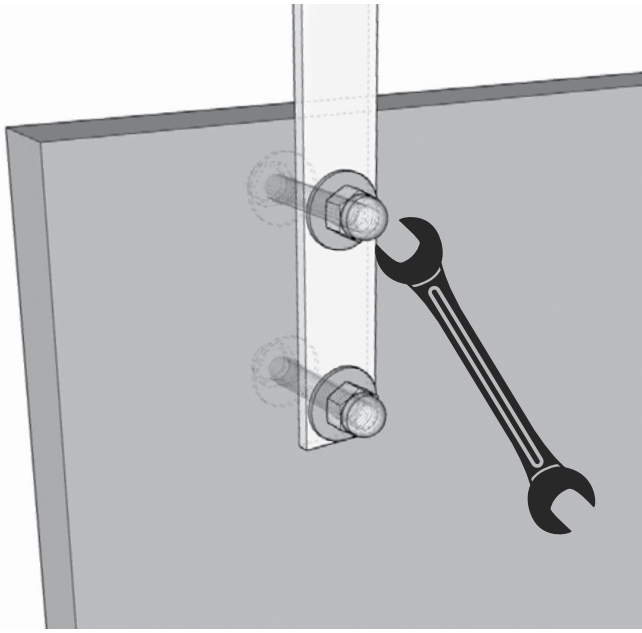


Determine your strap location. Position each strap against the front of the door a minimum of 2" from the edge or center of the stile.

Measure and mark the top hole 1-9/16" from top edge. Measure and mark the bottom hole 3-9/16" below the top hole. Drill out holes in the door using a 3/8" (10 mm) routing drill bit. Repeat for second strap.

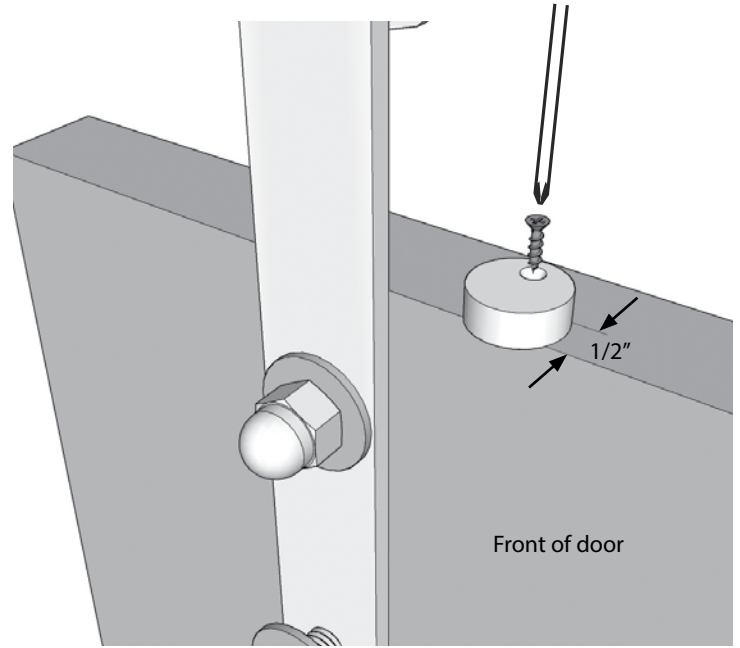
NOTE: There should be 2" from the inner groove of the wheel to the top of the door to allow for proper installation.

STEP 3: INSTALL STRAPS



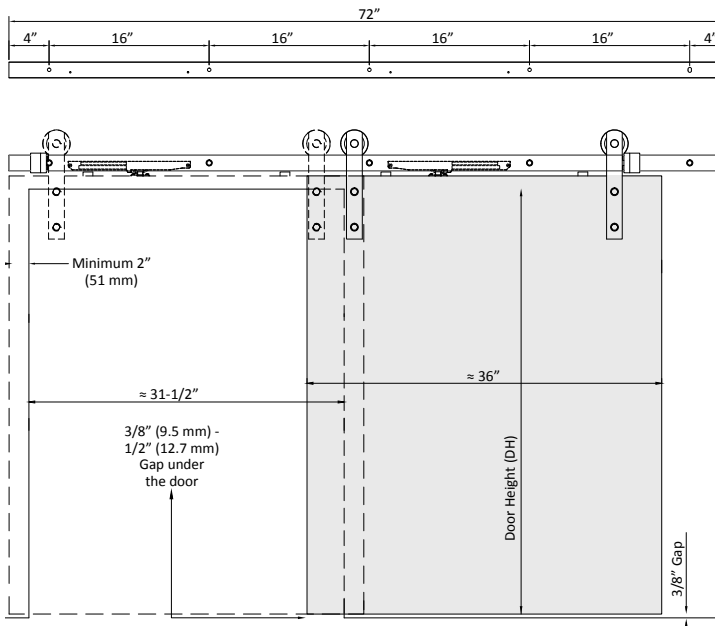
Mount straps to door using 1-3/8" bolts, washers and cap nuts provided.

STEP 4: INSTALL ANTI-JUMP DISK



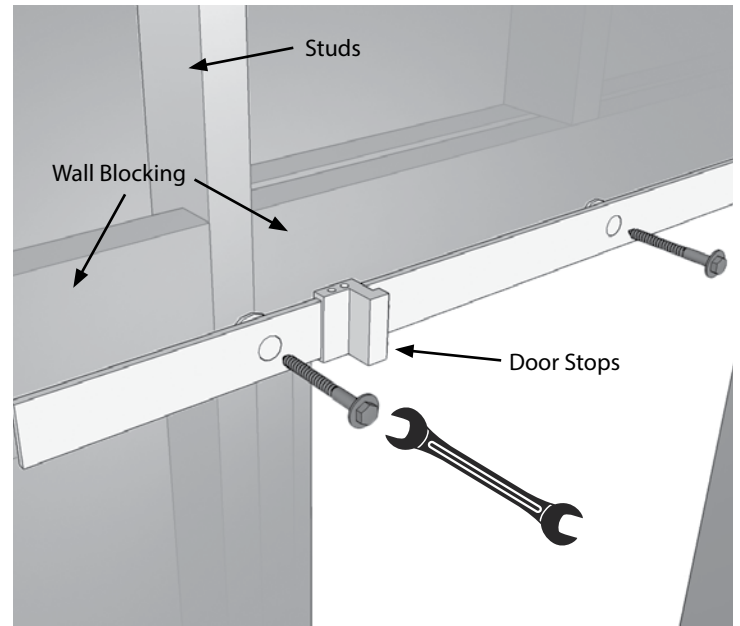
Position each anti-jump disk at least 1" away from the edge of the straps. Measure and mark 1/2" back from front of the door. Mount disk using screws provided leaving it pivoted out over the door front.

STEP 5: MEASURING TRACK



When installing into drywall, a piece of solid wood blocking is required to be mounted inside or outside of the wall before proceeding with the track installation. Position the solid wood blocking with track by measuring up from the door height (DH) + 1-11/16" to the center of the track. This allows a 3/8" - 1/2" gap at the bottom. For outside wall blocking, ensure it is level and leave a minimum of 2" from the end of the blocking to the side of the opening.

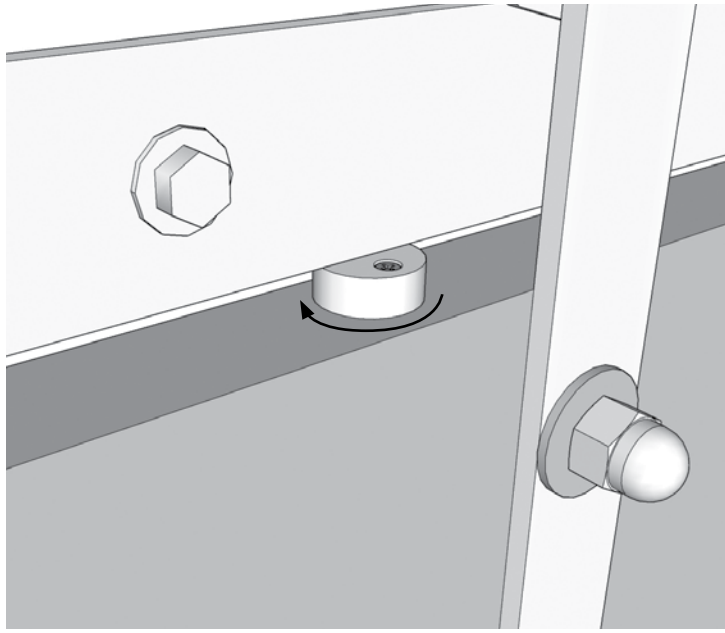
STEP 6: INSTALL TRACK



Determine where your Door Stops needs to be placed prior to mounting. Insert one Door Stop on each side of the track inside the first mounting hole before securing if needed.

When installing into the solid wood block or wall, insert using the provided wall screws. Align each spacer to the track holes, inserting spacers and screws (with washers), securing with a wrench.

STEP 7: HANG DOOR

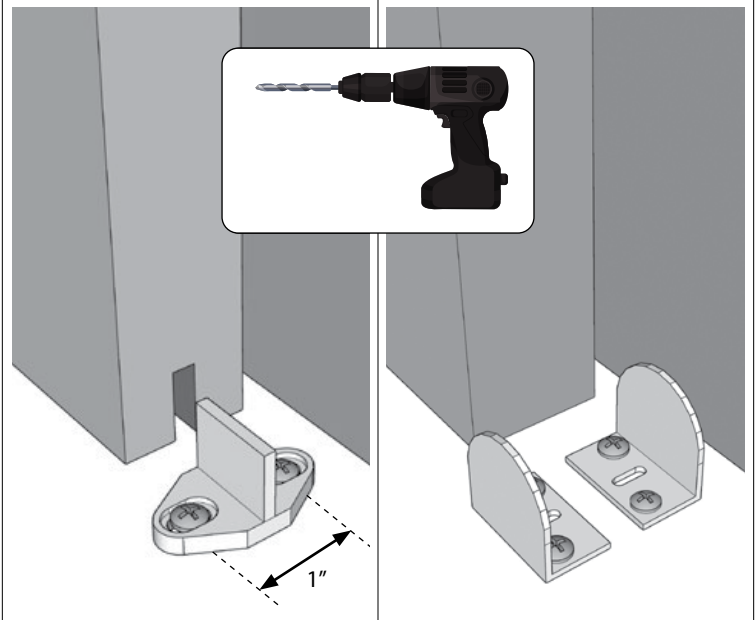


Place the assembled door onto the mounted track and turn each anti-jump disk to secure door. Ensure all parts are functioning correctly by sliding the door side-to-side.

STEP 8: INSTALL FLOOR GUIDE

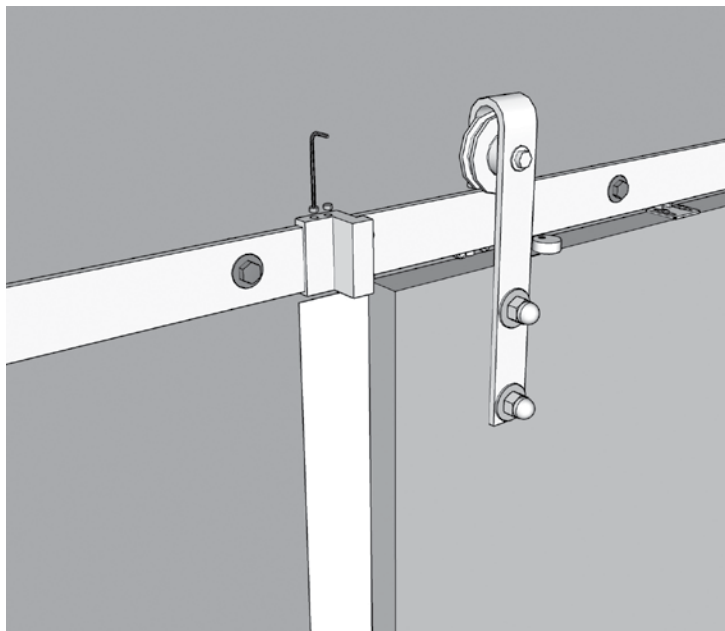
Option A

Option B



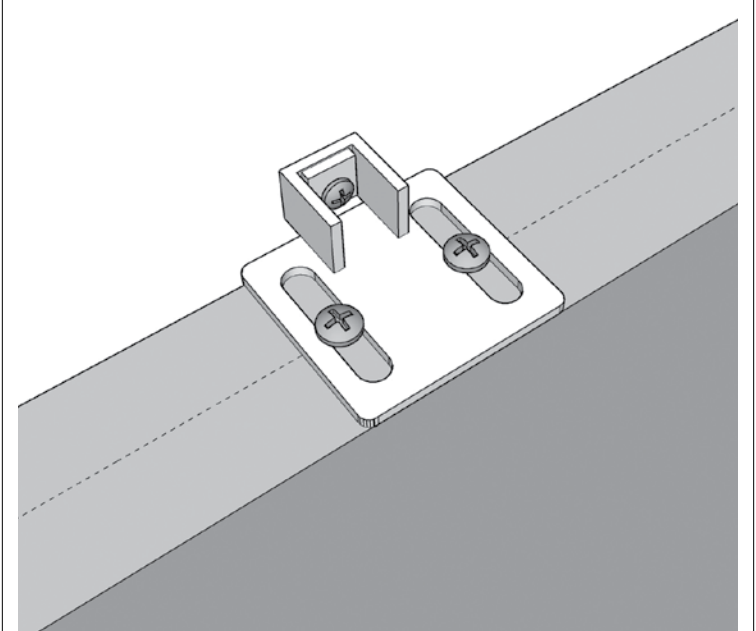
Once the door is plumb, position the floor-mounted door guide inside the mortised door for Option A, or outside the door for Option B. Line up the guide close to the opening. Slide the door side-to-side to ensure functionality for final placement then mark holes with a pencil and predrill 1/4" holes. If drilling directly into concrete floor, use the provided anchors.

STEP 9: ADJUST DOOR STOPS



Adjust the door stops accordingly using an Allen Key (not provided).

STEP 10: INSTALL SOFT-CLOSE BRACKETS



After door stops are adjusted, measure and mark the center of the door. Position the Soft-close Brackets to engage the Soft-close guide when it opens and closes. Mount and adjust the Soft-close Brackets using the screws provided.



SAFETY INSTRUCTIONS

1. Please watch your hand when you close the door
2. Don't pull the door side with your hand
3. Don't climb or hang on the track

