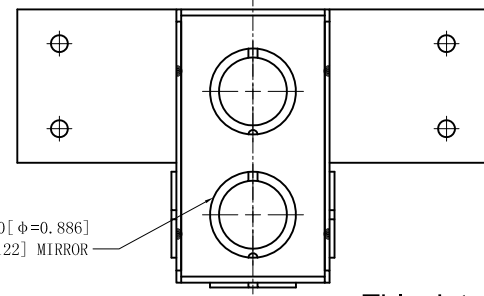
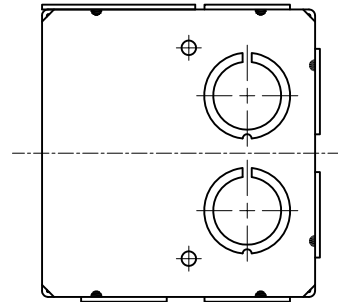
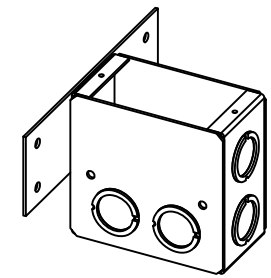
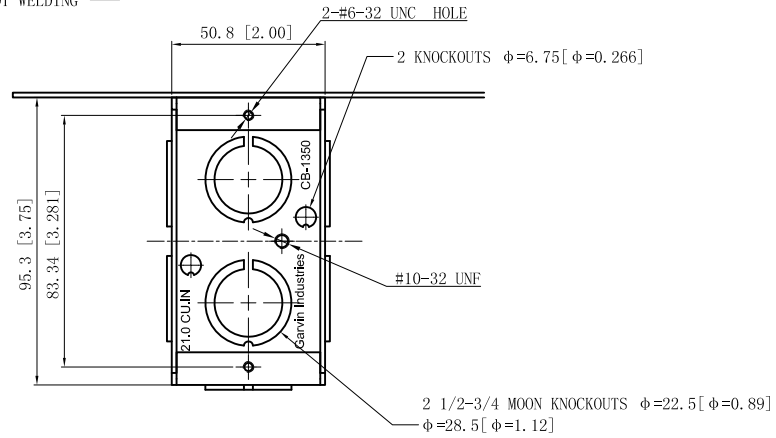
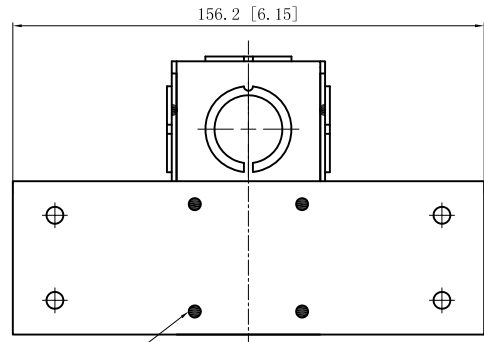
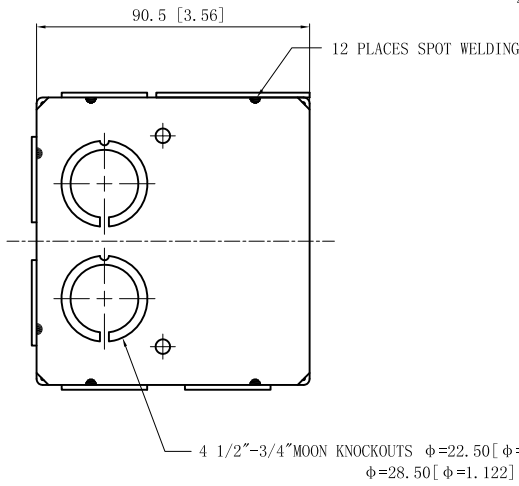


SIDES	BOTTOM
7 1/2"-3/4" MOON KNOCKOUTS	2 1/2"-3/4" MOON KNOCKOUTS
	2 KNOCKOUTS
Material: Steel-0.0625"-G60 Galvanized	



This data sheet is for reference only .GARVIN INDUSTRIES reserves the right to make changes to the design without prior notice.

DESCRIPTION
TRADE REFERENCE TERMS

STANDARD PACKING

<b>GARVIN INDUSTRIES</b>		
TITLE SOLID MASONRY BOX 3-1/2" DEEP		
SIZE A4	DWG NO. CB-1350	REV
DATA SHEET		
www.garvinindustries.com		