

Aquia IV® Arc WASHLET®+ S500e Two-Piece Toilet - 1.28 and 0.8 GPF

FEATURES

- Concealed supply connection for seamless installation
- DYNAMAX TORNADO FLUSH® utilizes 360° cleaning power to reach every part of the bowl
- High-efficiency dual flush 1.28 & 0.8 GPF (4.8 & 3.0 LPF)
- CEFIONTECT® ceramic glaze prevents debris and mold from sticking to ceramic surfaces
- Design of the bowl reduces water flow resistance resulting in a quieter flushing sound
- Completely skirted design for a sleek and understated look that's easier to clean
- Universal Height
- 12" Rough-in
- Elongated front bowl and WASHLET+ S500e and tank set
- EWATER+® auto-cleans wand and bowl
- On-demand remote function cleans wand with EWATER+
- PREMIST® of bowl before each use
- Remote control operated
- Auto Flush available as upgrade



MODELS & COMPONENTS

- **MW4483046CEMFGA#01**
With CEFIONTECT ceramic glaze, WASHLET+ S500e with contemporary design and Auto Flush
 - **CT446CUFGT40#01**
Elongated bowl with CEFIONTECT
 - **ST448EMA**
Tank and cover only
 - **SW3046AT40**
WASHLET® S500e - Auto Flush compatible
 - **9AU321-A**
WASHLET adapter
 - **THU765**
Auto Flush Kit
 - **MW4483046CEMFG#01**
Same as MW4483046CEMGA without Auto Flush
 - **CT446CUFGT40#01**
Elongated bowl with CEFIONTECT
 - **ST448EMA**
Tank and cover only
 - **SW3046AT40**
WASHLET® S500e - Auto Flush compatible
 - **9AU321-A**
WASHLET adapter
- Optional Components
- **TSU08W.10**
10" Unifit Rough-In
 - **TSU08W.14**
14" Unifit Rough-In

COLORS/FINISHES

- #01 Cotton

-  **DYNAMAX TORNADO FLUSH**
-  **EWATER+**
-  **CEFIONTECT**
-  **Auto Flush**
-  **Universal Height**

PRODUCT SPECIFICATION

The two-piece, ultra high-efficiency, DYNAMAX TORNADO FLUSH toilet shall be dual flush 1.28 GPF/0.8 GPF. Toilet shall have CEFIONTECT ceramic glaze, elongated front bowl, high profile tank, complete skirted bowl and chrome-plated trip lever. Toilet shall be TOTO Model MW4483046CEMFG__#01.

See SW3046AT40 Specification Sheet for details on included WASHLET.

CODES/STANDARDS

- Meets and exceeds ASME A112.19.2/CSA B45.1, ASME A112.19.14
- Certifications: IAPMO(cUPC®), EPA WaterSense, State of Massachusetts, and others
- Code Compliance: UPC, IPC, NSPC, NPC Canada, and others
- Legislative Compliance: California Green Building Code, City of Los Angeles Water Efficiency Ordinance, and others
- Complies with CA Prop 65 warning requirements
- ADA compliant when installed with trip lever on the approach side



MW4483046CEMFG(A)

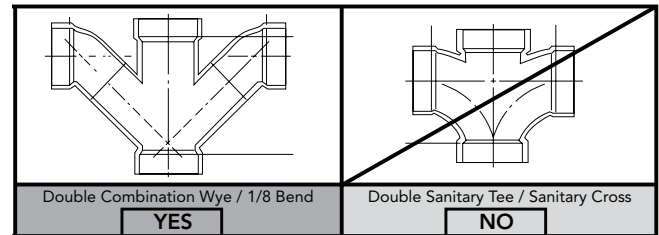
Aquia IV® Arc WASHLET®+ S500e Two-Piece Toilet - 1.28 and 0.8 GPF

SPECIFICATIONS

| | |
|----------------------------|---|
| Water Use | 1.28 & 0.8 GPF (4.8 & 3.0 LPF) |
| Flush System | DYNAMAX TORNADO FLUSH® |
| Min. Water Pressure | 8 psi (Flowing) |
| Water Surface | 5-5/8" x 4-1/8" |
| Trap Diameter | 2-1/2" |
| Rough-in | 12" (10" and 14" options available) |
| Trap Seal | 2-1/8" |
| Warranty | One Year Limited Warranty |
| Material | Vitreous China |
| Shipping Weight | CT446CUFGT40 85 lbs ST448EMA 29 lbs |
| Shipping Dimensions | CT446CUFGT40 30-3/4" L x 17-3/8" W x 20-1/2" H ST448EMA 20-1/2" L x 8-3/4" W x 17-1/2" H |

INSTALLATION NOTES

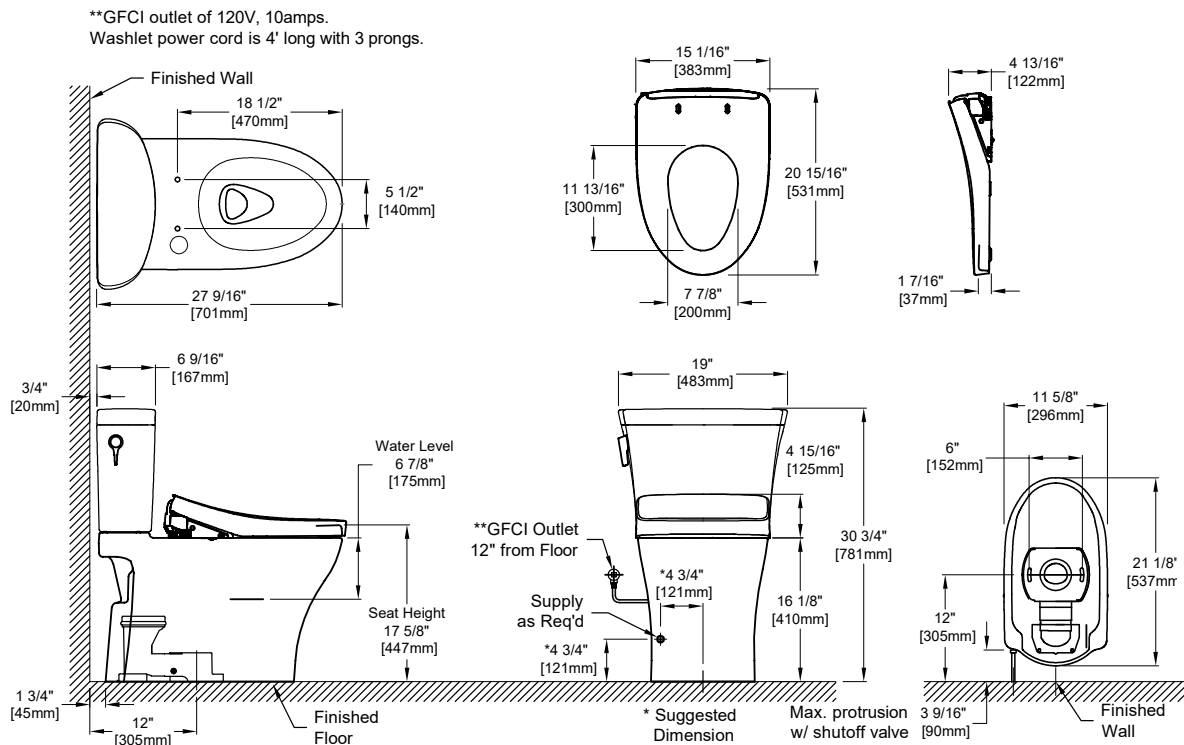
Back-to-Back Toilet Installations:
TOTO recommends the use of a nationally listed, double sanitary tee-wye only, in vertical waste stacks, in accordance with the stipulations noted in the majority of nationally recognized plumbing codes.



To maintain adequate wall gap between the back of the tank and wall, mount the floor flange at a nominal 12" rough-in distance.

See SW3046AT40 Specification Sheet for details on included WASHLET.

DIMENSIONS



TOTO®

These dimensions and specifications are subject to change without notice